

ASSEMBLY INSTRUCTIONS
COASTER FINE FURNITURE



Fine Furniture for every stage of life

190361(B1&B2)
Dining Table

ITEM: 190361(B1&B2)



ASSEMBLY INSTRUCTIONS

ASSEMBLY TIPS:

1. Remove hardware from box and sort by size.
2. Please check to see that all hardware and parts are present prior to start of assembly.
3. Please follow attached instructions in the same sequence as numbered to assure fast & easy assembly.



WARNING!

1. Don't attempt to repair or modify parts that are broken or defective. Please contact the store immediately.
2. This product is for home use only and not intended for commercial establishments.



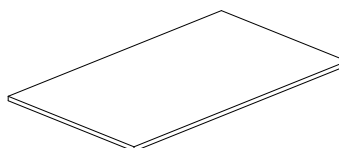
ASSEMBLY TIME

15 MINUTES

PARTS IDENTIFICATION

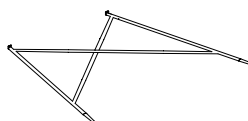
B1 (BOX 1)

A TOP 1PC



B2 (BOX 2)

B LEG FRAME 2PCS



C LEG FRAME SUPPORT 2PCS



HARDWARE IDENTIFICATION

1 SHORT BOLT
(Ø1/4" x 9/16" - BLK) 4PCS



2 LONG BOLT
(Ø1/4" x 13/16" - BLK) 8PCS



3 LOCK WASHER
(Ø1/4" x 10mm - BLK) 12PCS



4 FLAT WASHER
(Ø1/4" x 10mm - BLK) 12PCS



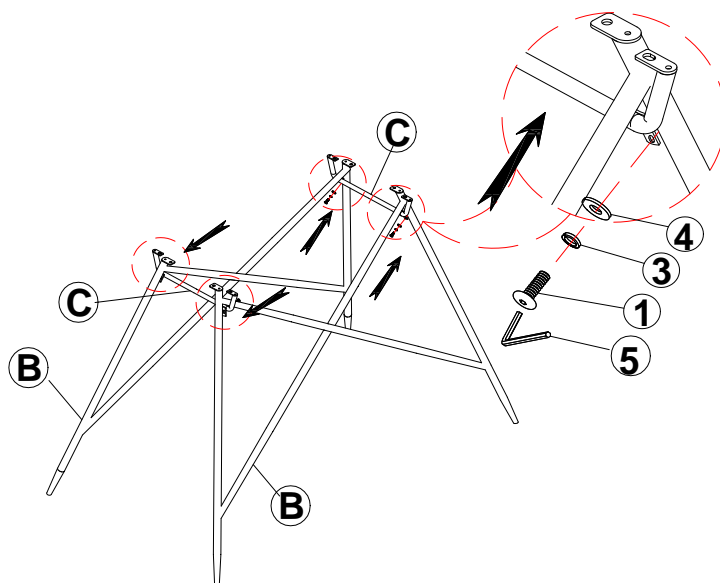
5 ALLEN WRENCH
(M4 - 64mm - BLK) 1PC



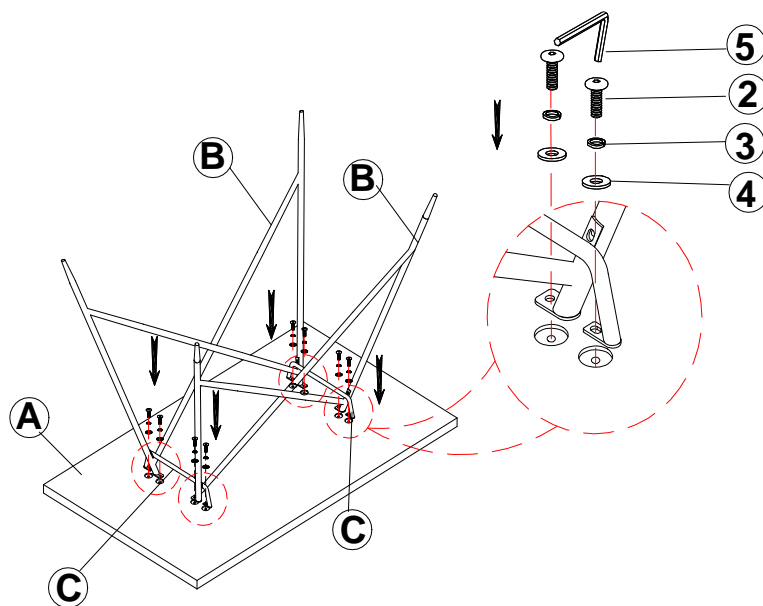
ITEM: **190361(B1&B2)**

ASSEMBLY INSTRUCTIONS

STEP 1

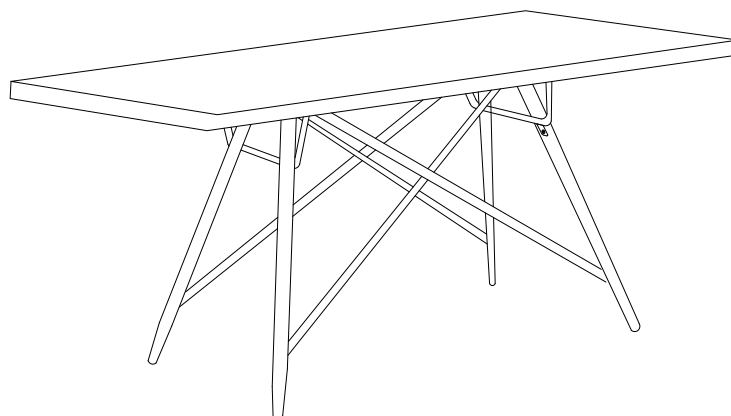


STEP 2

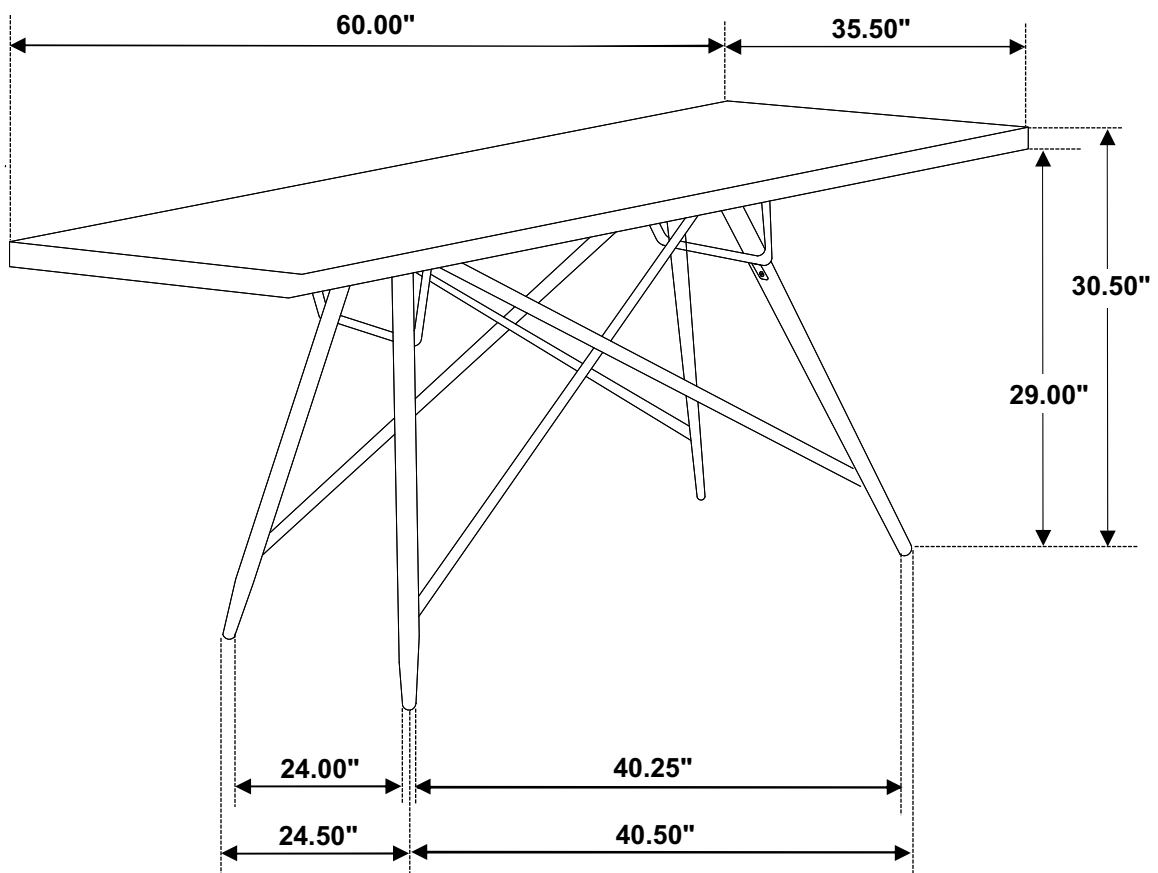


STEP 3

COMPLETE



ITEM: **190361(B1&B2)**



Note: Dimension tolerance $\pm 5\%$