

*ASSEMBLY INSTRUCTIONS*  
*COASTER FINE FURNITURE*



*Fine Furniture for every stage of life*

**600058**

***Rocking Chair***

ITEM: **600058**



## ASSEMBLY INSTRUCTIONS

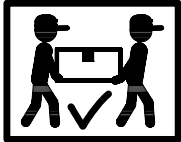
### ASSEMBLY TIPS:

1. Remove hardware from box and sort by size.
2. Please check to see that all hardware and parts are present prior to start of assembly.
3. Please follow attached instructions in the same sequence as numbered to assure fast & easy assembly.



### WARNING!

1. Don't attempt to repair or modify parts that are broken or defective. Please contact the store immediately.
2. This product is for home use only and not intended for commercial establishments.



ASSEMBLY TIME

50 MINUTES

## PARTS IDENTIFICATION

AL	LEFT SIDE PANEL		1PC
AR	RIGHT SIDE PANEL		1PC
B	BACK CUSHION		1PC
CL	LEFT ARM		1PC
CR	RIGHT ARM		1PC
D	ROCKER		2PCS

E	SEAT CUSHION		1PC
F	EAR		2PCS
G	FRONT STRETCHER TOP		1PC
H	FRONT STRETCHER BOTTOM		1PC
I	REAR STRETCHER TOP		1PC
J	REAR STRETCHER BOTTOM		1PC

## HARDWARE IDENTIFICATION

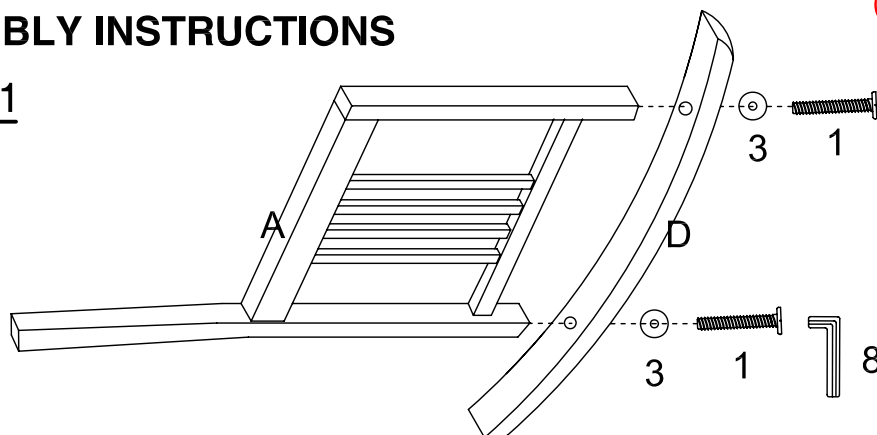
1	BOLT (1/4" x 1-3/4")		22PCS
2	BOLT (1/4" x 1")		2PCS
3	FLAT WASHER (1/4" x 16mm)		4PCS
4	LOCK WASHER (1/4")		20PCS

5	WOODEN CAP (Ø13 x 5mm)		14PCS
6	SCREW (8 x 1-1/4")		4PCS
7	GLUE (8mm)		1PC
8	ALLEN WRENCH (4mm)		1PC

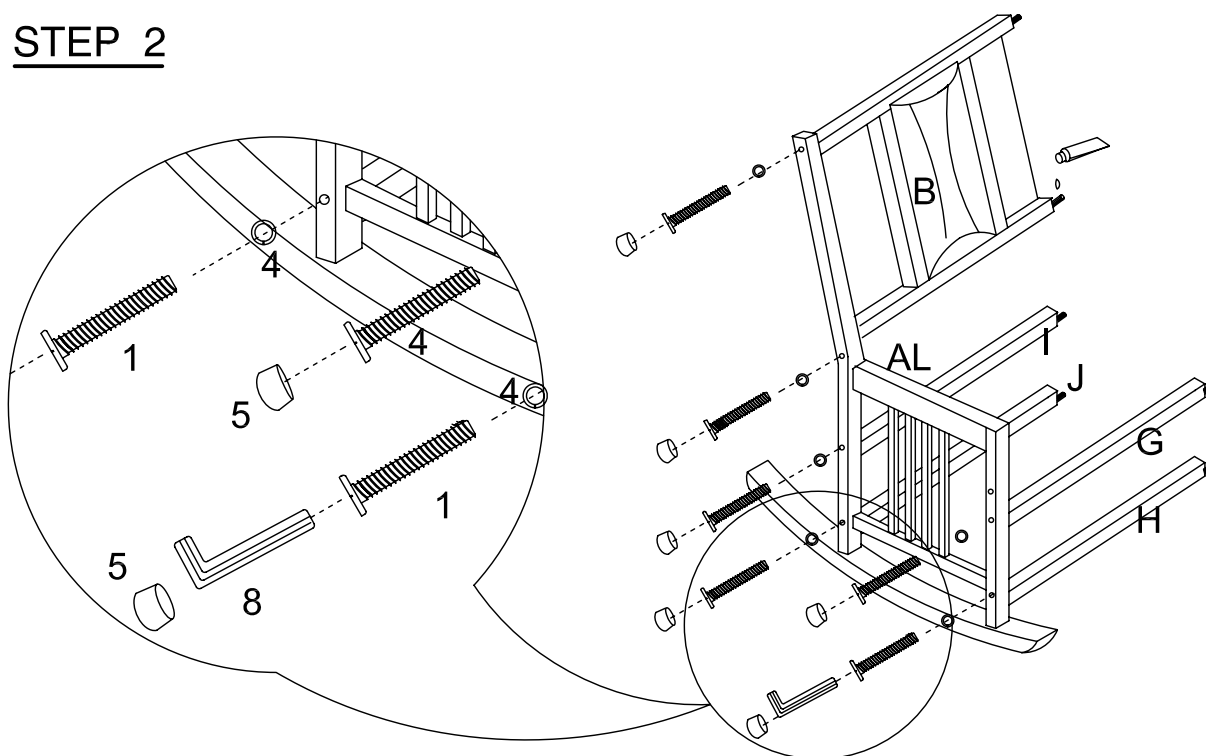
ITEM: **600058**  
**ASSEMBLY INSTRUCTIONS**



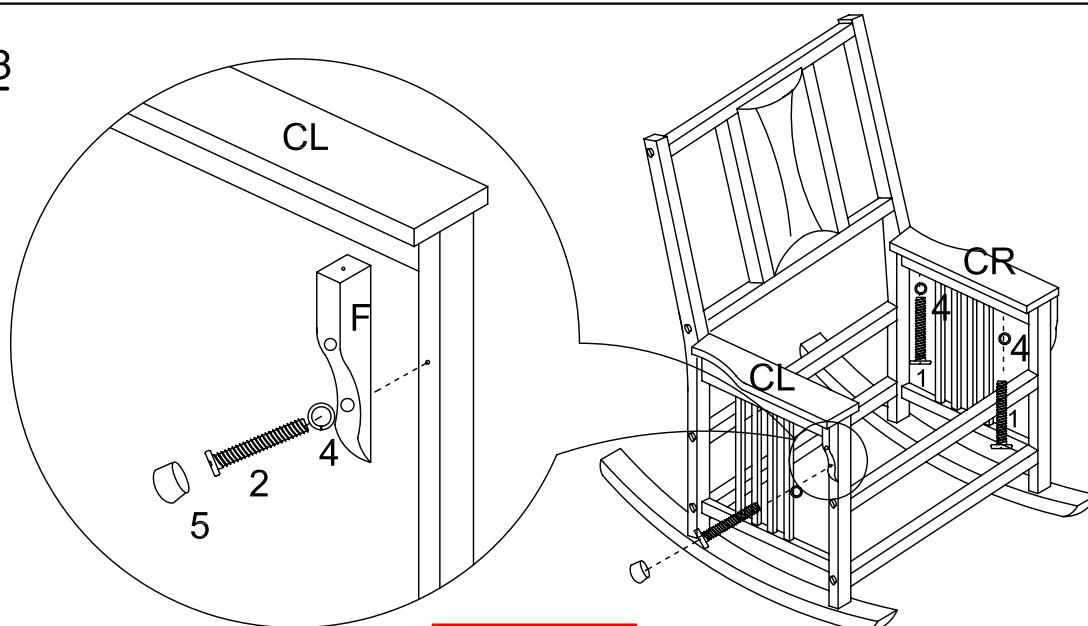
STEP 1



STEP 2



STEP 3

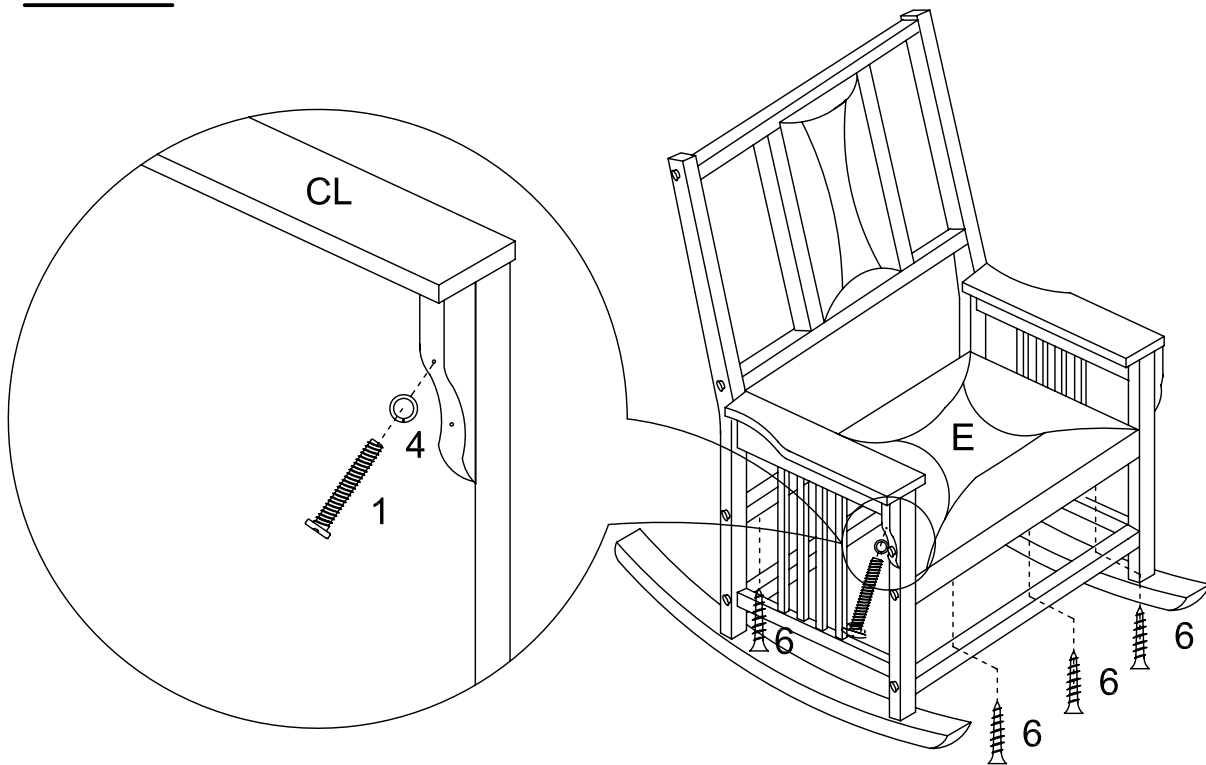


ITEM: **600058**

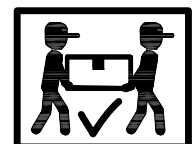
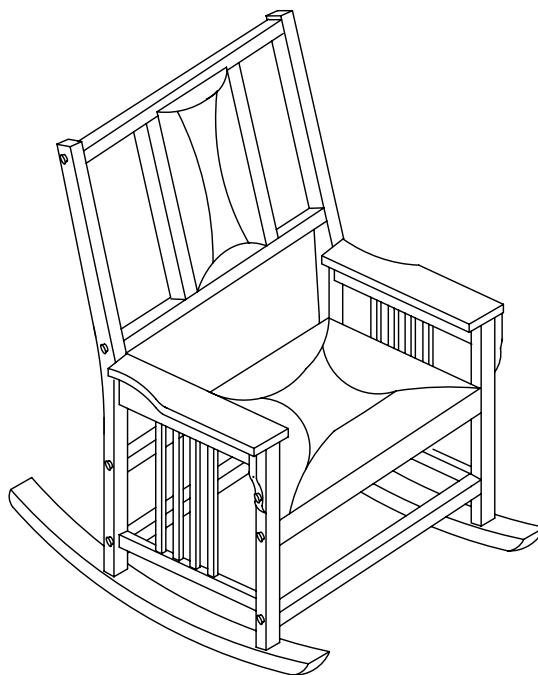


**ASSEMBLY INSTRUCTIONS**

**STEP 4**



**STEP 5**  
**COMPLETE**



ITEM: **600058**

**ASSEMBLY INSTRUCTIONS**

