

*ASSEMBLY INSTRUCTIONS*  
*COASTER FINE FURNITURE*



*Fine Furniture for every stage of life*

**705237**  
**END TABLE**

REVISION 0 : 02/08/2018  
REVISION 1 : 07/01/2020  
REVISION 2 : 11/07/2022

ITEM:705237



# ASSEMBLY INSTRUCTIONS

## ASSEMBLY TIPS:

1. Remove hardware from box and sort by size.
2. Please check to see that all hardware and parts are present prior to start of assembly.
3. Please follow attached instructions in the same sequence as numbered to assure fast & easy assembly.



## WARNING!

1. Don't attempt to repair or modify parts that are broken or defective. Please contact the store immediately.
2. This product is for home use only and not intended for commercial establishments.

ASSEMBLY TIME 40 MINUTES

## PARTS IDENTIFICATION

A	TOP GLASS		1PC
BN	MIRROR		1PC
C	TOP FRAME		1PC
D	SIDE FRAME		2PCS
EN	CROSSBAR		2PCS

ZN

## HARDWARE IDENTIFICATION

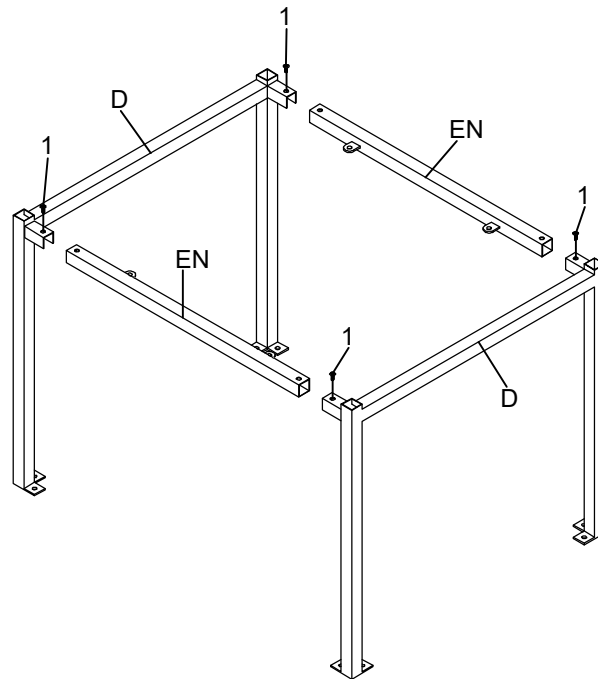
1	BOLT (1/4" x 15mm)		12PCS	4	ALLEN WRENCH (4mm)		1PC
2	SUCTION CUP (ø5mm)		8PCS				
3	CAP (25 x 25mm)		4PCS				

ITEM: 705237

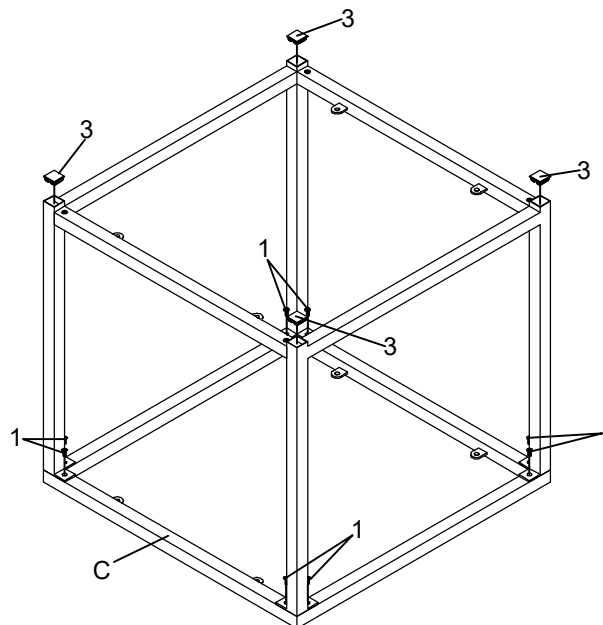
# ASSEMBLY INSTRUCTIONS



**STEP 1** Do not tighten until each step is completed or instructed.



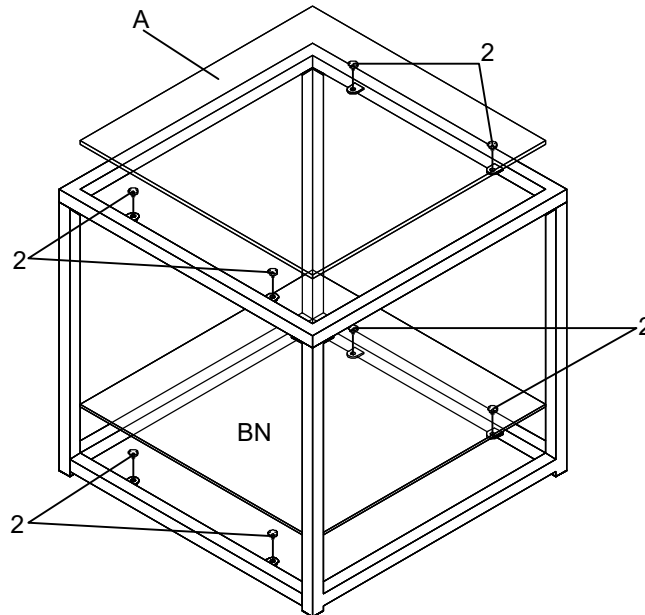
## STEP 2



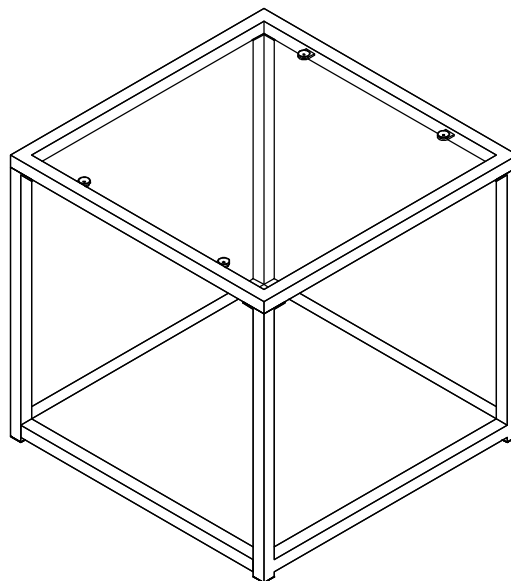
ITEM: 705237

# ASSEMBLY INSTRUCTIONS

## STEP 3



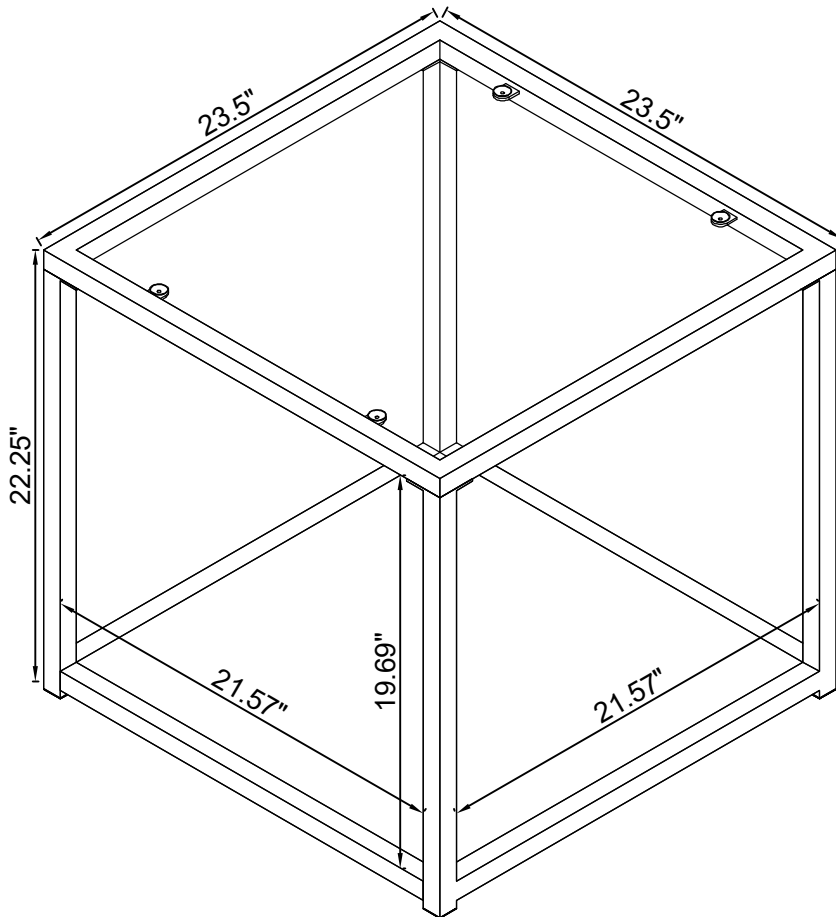
## STEP 4 COMPLETE



ITEM:705237  
ASSEMBLY INSTRUCTIONS



<b>Product Size : 597 X 597 X 565 H (MM)</b>
<b>Product Size : 23.5" X 23.5" X 22.25"</b>



Note : Dimension tolerance  $\pm 5\%$