

ASSEMBLY INSTRUCTIONS
COASTER FINE FURNITURE



Fine Furniture for every stage of life

801221ii
WRITING DESK

REVISION 0 : 09/22/2017
REVISION 1 : 06/16/2023

ITEM: 801221ii



ASSEMBLY INSTRUCTIONS

ASSEMBLY TIPS:

1. Remove hardware from box and sort by size.
2. Please check to see that all hardware and parts are present prior to start of assembly.
3. Please follow attached instructions in the same sequence as numbered to assure fast & easy assembly.



WARNING!

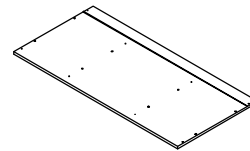
1. Don't attempt to repair or modify parts that are broken or defective. Please contact the store immediately.
2. This product is for home use only and not intended for commercial establishments.



ASSEMBLY TIME 80 MINUTES

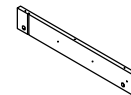
PARTS IDENTIFICATION

A TOP BOARD



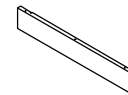
1PC

B LEFT BOARD



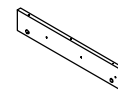
1PC

C RIGHT BOARD



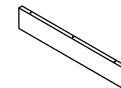
1PC

D LEFT MIDDLE BOARD



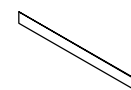
1PC

E RIGHT MIDDLE BOARD



1PC

F BACK BOARD

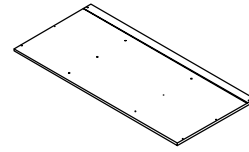


1PC

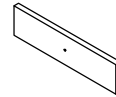
ITEM: 801221ii ASSEMBLY INSTRUCTIONS



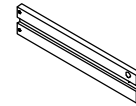
G BOTTOM BOARD 1PC



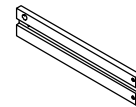
H DRAWER FRONT PANEL 2PCS



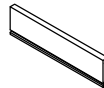
I DRAWER LEFT PANEL 2PCS



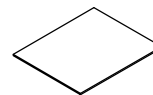
J DRAWER RIGHT PANEL 2PCS



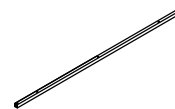
K DRAWER BACK PANEL 2PCS



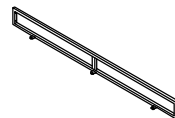
L DRAWER BOTTOM PANEL 2PCS



M SUPPORT CROSSBAR 1PC



N SUPPORT FRAME 1PC



ITEM: 801221ii

ASSEMBLY INSTRUCTIONS

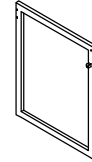


O LEFT FRAME



1PC

P RIGHT FRAME



1PC

Q DRAWER GLIDE



4PCS

HARDWARE IDENTIFICATION


1 CAM BOLT
(38mm)  12PCS

2 LARGE CAM LOCK
(ϕ 15mm)  8PCS

3 SMALL CAM LOCK
(ϕ 12mm)  4PCS

4 LARGE WOOD DOWEL
(8 x 30mm)  8PCS

5 SMALL WOOD DOWEL
(6 x 30mm)  4PCS


6 CAP
(20 x 40mm BLK)  4PCS


7 SHORT SCREW
(ϕ 6 x 12mm)  12PCS

8 LONG SCREW
(ϕ 8 x 38mm)  20PCS

9 SHORT HANDLE SCREW
(ϕ 8 x 12mm)  4PCS

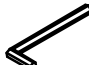
10 LONG HANDLE SCREW
(ϕ 8 x 21mm)  2PCS

11 SHORT BOLT
(1/4" x 10mm SR)  5PCS

12 LONG BOLT
(1/4" x 28mm SR)  9PCS

13 DOOR KNOB
(ϕ 22 x 25mm)  2PCS

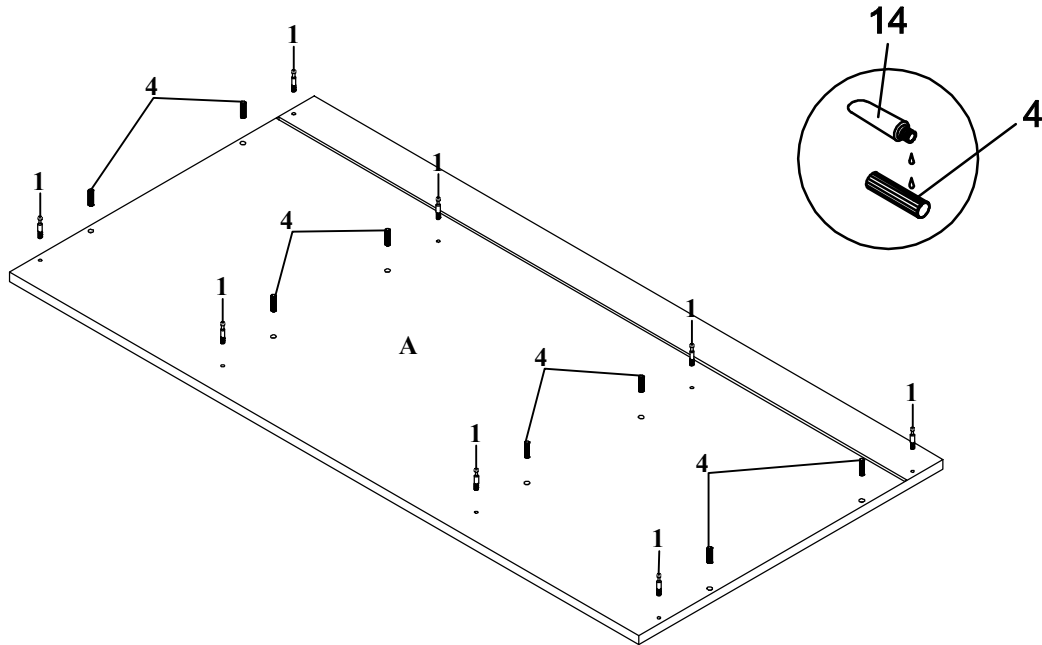
14 GLUE  1PC

15 ALLEN WRENCH
(4mm)  1PC

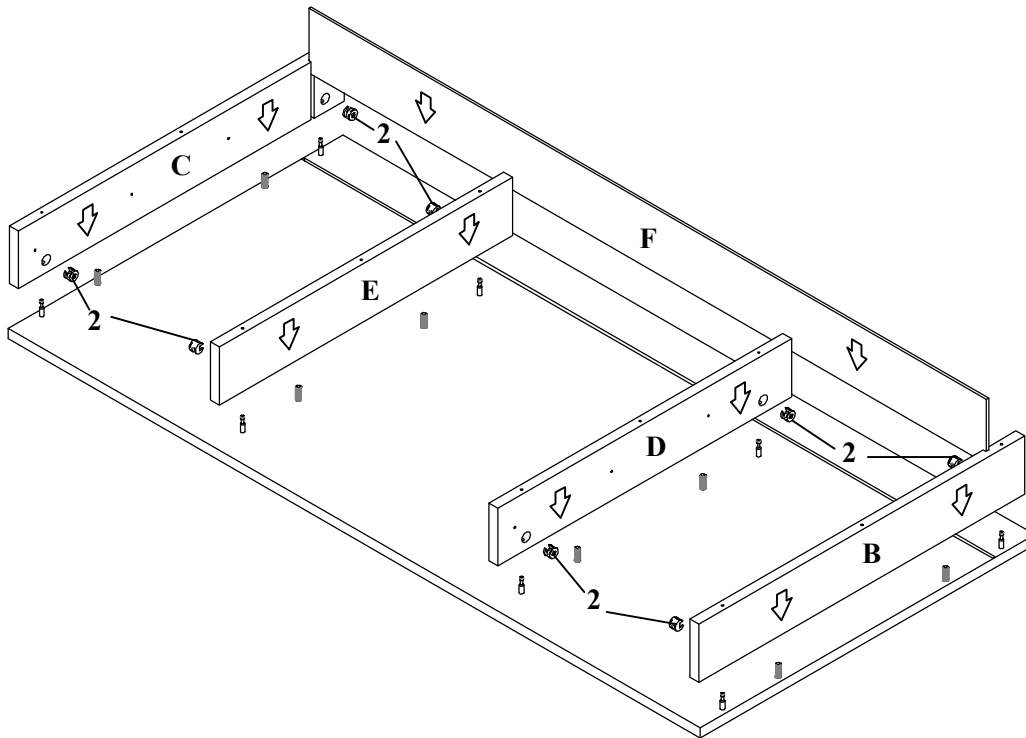
ITEM: 801221ii ASSEMBLY INSTRUCTIONS



STEP 1 Do not tighten until each step is completed or instructed.



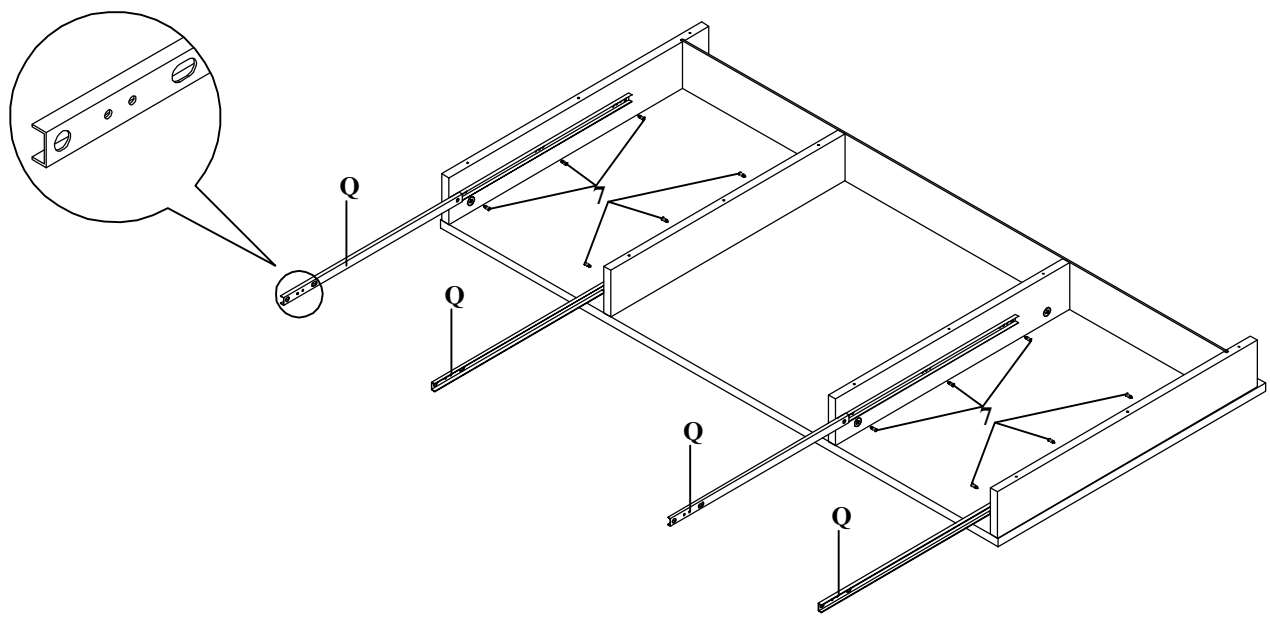
STEP 2



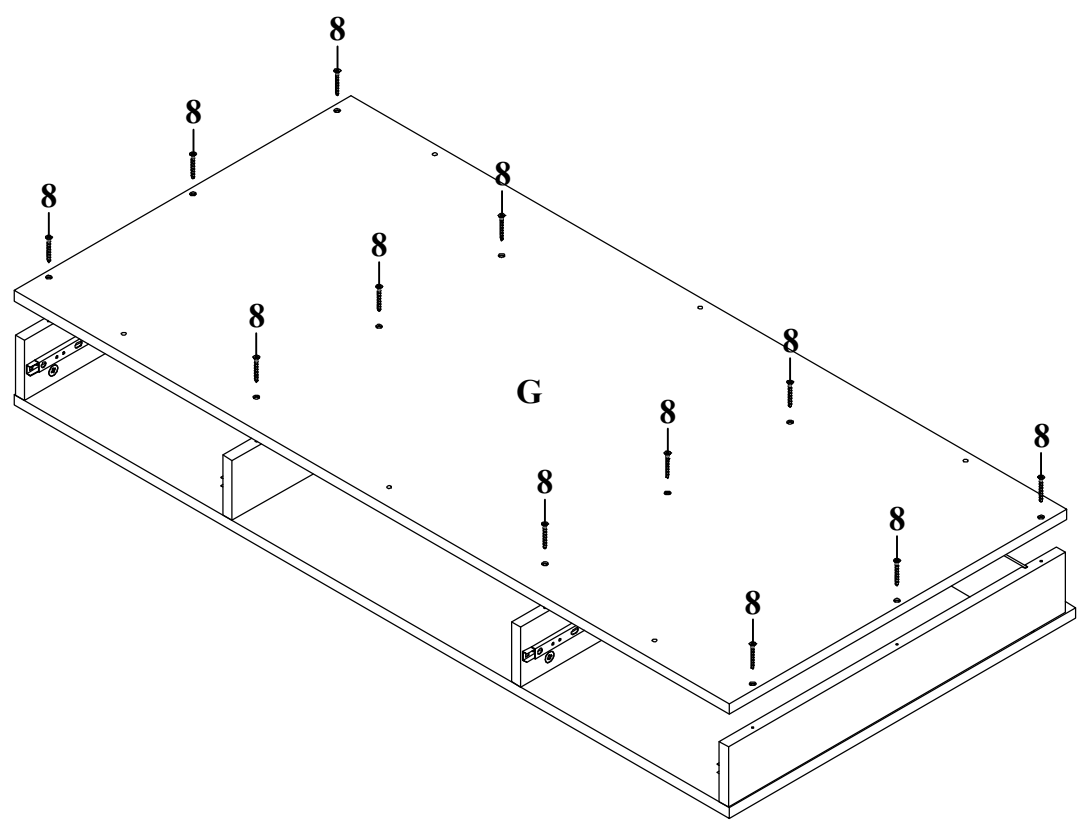
ITEM: 801221ii
ASSEMBLY INSTRUCTIONS



STEP 3



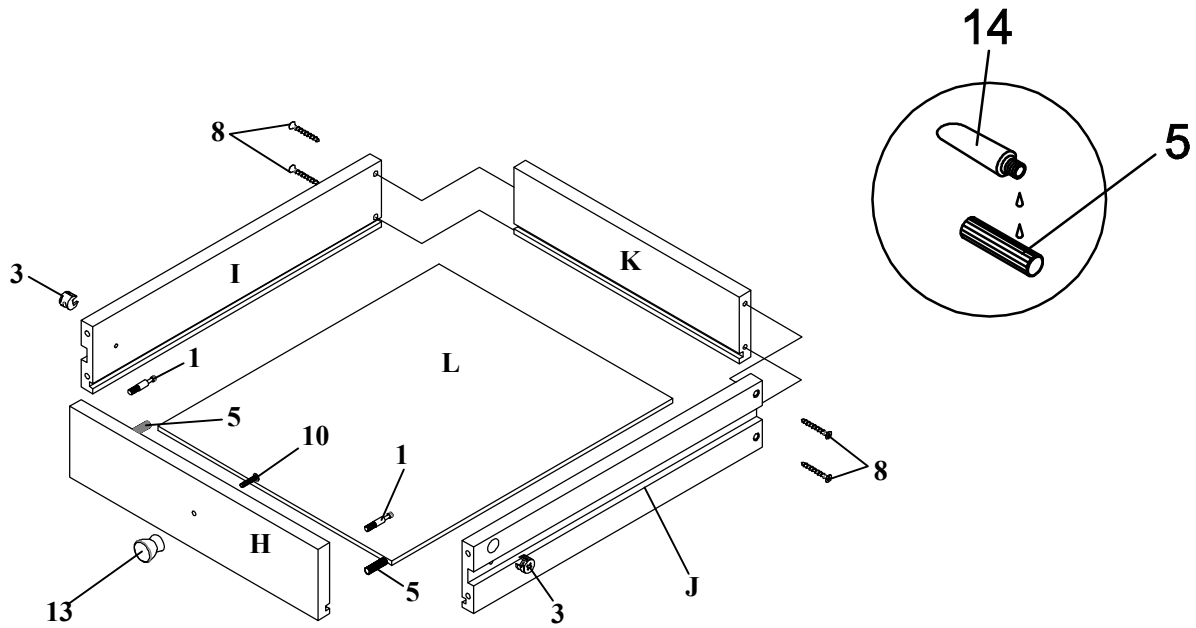
STEP 4



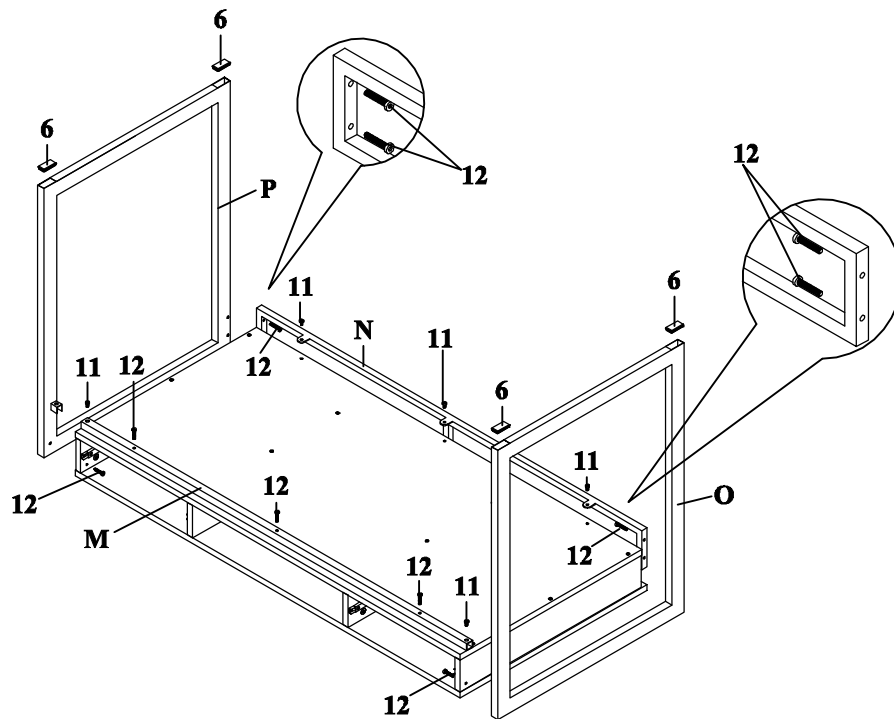
ITEM: 801221ii
ASSEMBLY INSTRUCTIONS



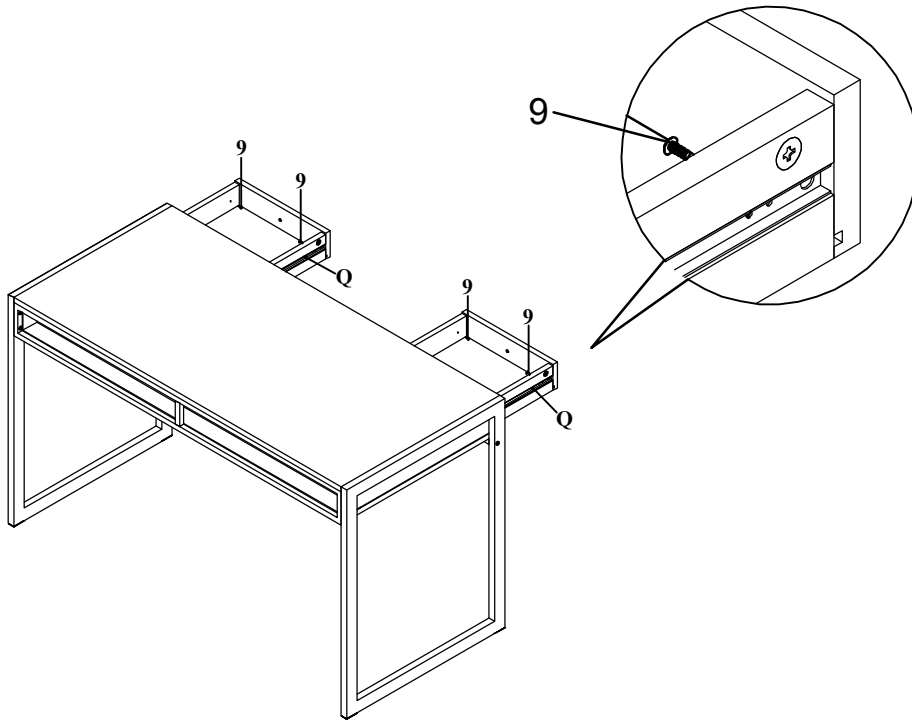
STEP 5



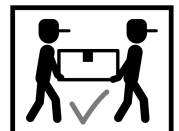
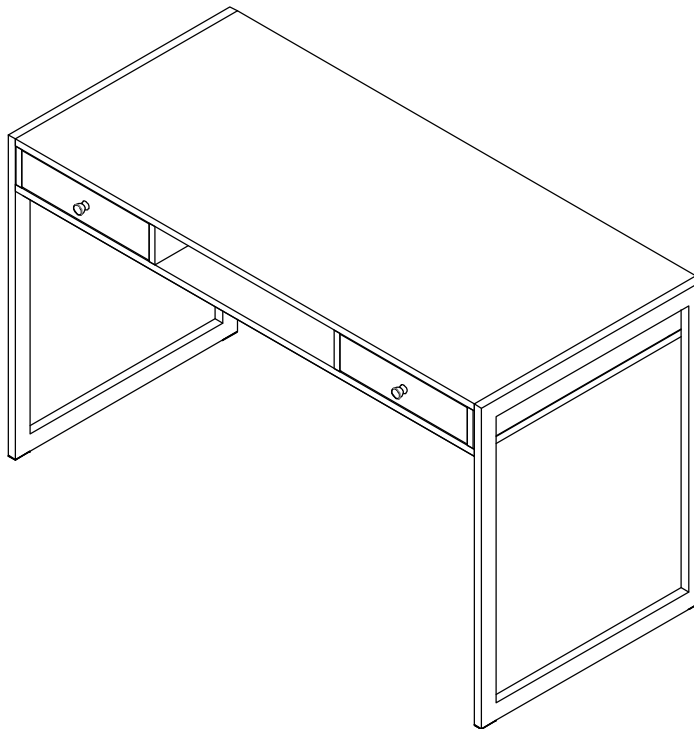
STEP 6



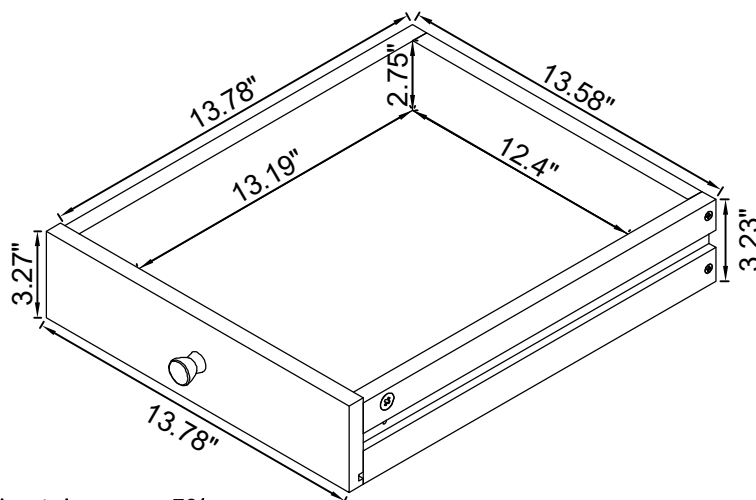
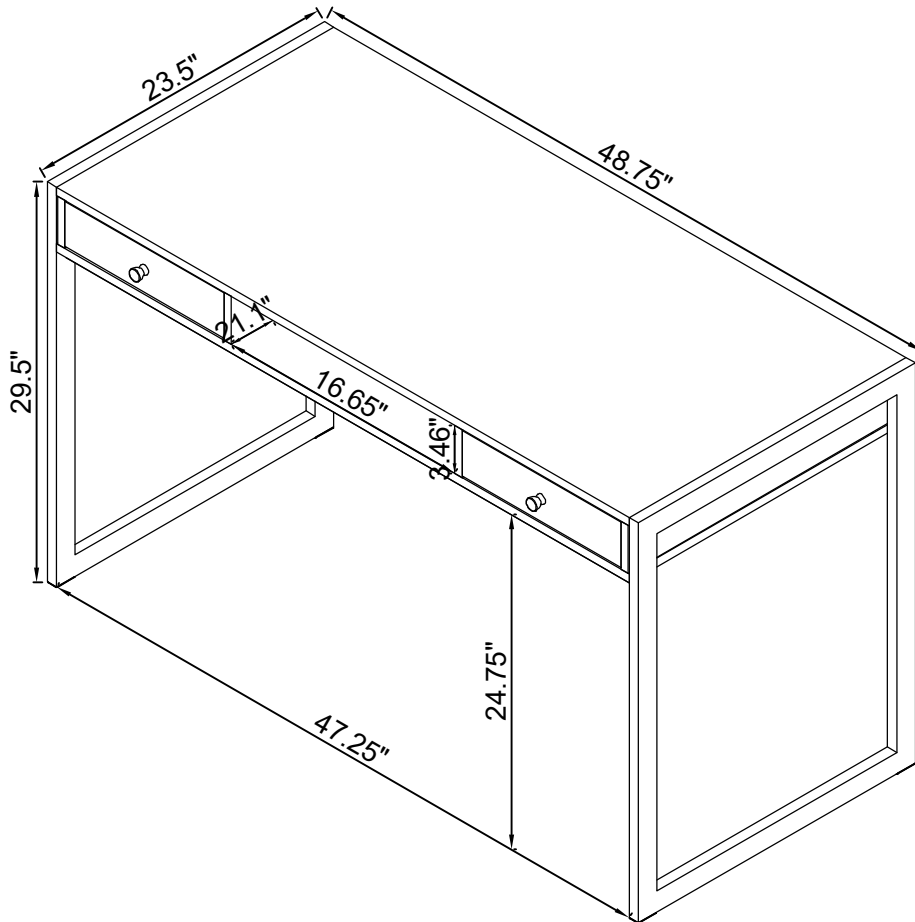
ITEM: 801221ii
ASSEMBLY INSTRUCTIONS
STEP 7



STEP 8



ITEM:801221ii ASSEMBLY INSTRUCTIONS



Note : Dimension tolerance $\pm 5\%$