



ASSEMBLY INSTRUCTIONS
COASTER FINE FURNITURE



Fine Furniture for every stage of life

190362

Dining Side Chair

ITEM: 190362



ASSEMBLY INSTRUCTIONS

ASSEMBLY TIPS:

1. Remove hardware from box and sort by size.
2. Please check to see that all hardware and parts are present prior to start of assembly.
3. Please follow attached instructions in the same sequence as numbered to assure fast & easy assembly.



WARNING!

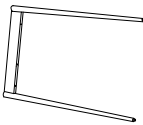


1. Don't attempt to repair or modify parts that are broken or defective. Please contact the store immediately.
2. This product is for home use only and not intended for commercial establishments.








ASSEMBLY TIME

15 MINUTES

PARTS IDENTIFICATION

A	UPPER LEG FRAME		1PC
B	LOWER LEG FRAME		1PC
C	SEAT AND BACK		1PC

HARDWARE IDENTIFICATION

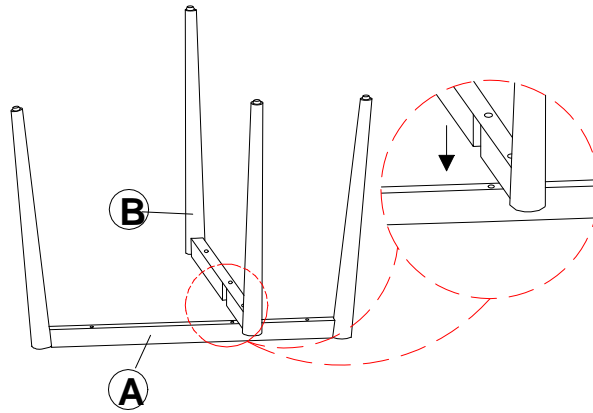
1	SHORT BOLT (Ø1/4" x 1-3/4" - BLK)		4PCS
2	LONG BOLT (Ø1/4" x 2-3/16" - BLK)		1PC
3	LOCK WASHER (Ø1/4" - 10mm - BLK)		5PCS
4	FLAT WASHER (Ø1/4" - 13mm - BLK)		5PCS
5	ALLEN WRENCH (M4 x 64mm - BLK)		1PC

NOTE:

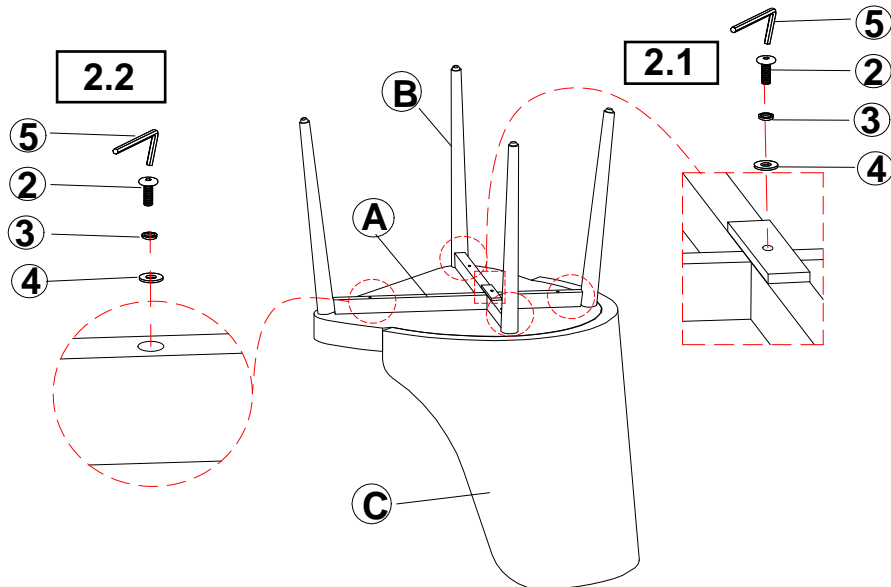
Quantities shown are for one chair

ITEM: **190362**

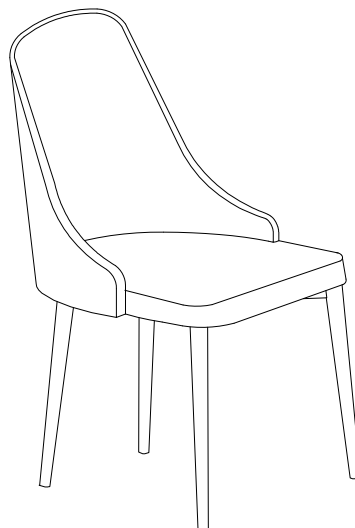
ASSEMBLY INSTRUCTIONS
STEP 1



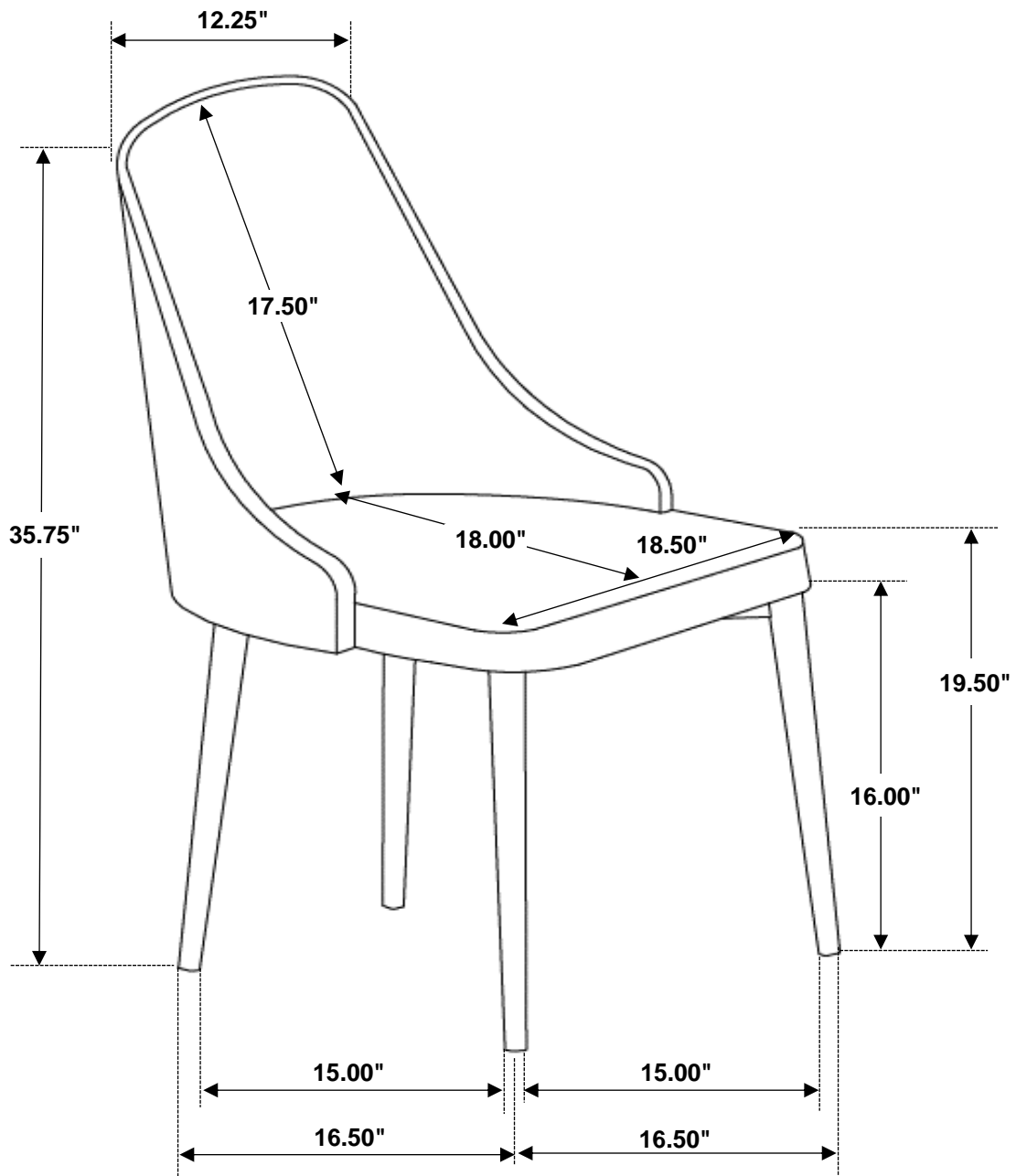
STEP 2



STEP 3
COMPLETE



ITEM: **190362**



Note: Dimension tolerance $\pm 5\%$