



*ASSEMBLY INSTRUCTIONS
COASTER FINE FURNITURE*

Fine Furniture for every stage of life

200895
Chest

REVISION 0 : 04/13/2016
REVISION 1 : 06/15/2017
REVISION 2 : 08/15/2019

ITEM:200895



ASSEMBLY INSTRUCTIONS

ASSEMBLY TIPS:

1. Remove hardware from box and sort by size.
2. Please check to see that all hardware and parts are present prior to start of assembly.
3. Please follow attached instructions in the same sequence as numbered to assure fast & easy assembly.



WARNING!

1. Don't attempt to repair or modify parts that are broken or defective. Please contact the store immediately.
2. This product is for home use only and not intended for commercial establishments.

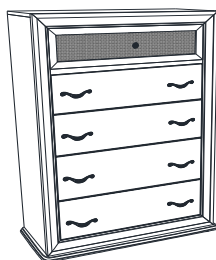


ASSEMBLY TIME

5 MINUTES

PARTS IDENTIFICATION

A CHEST



1PC

B BUN FOOT



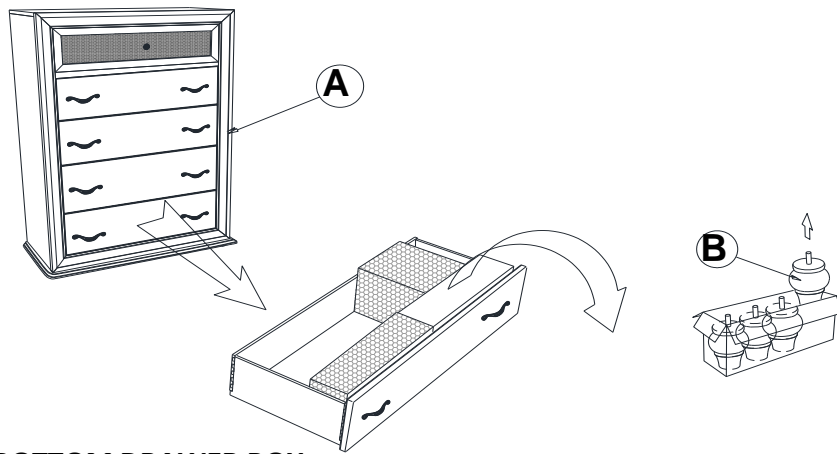
4PCS

ITEM:200895

ASSEMBLY INSTRUCTIONS

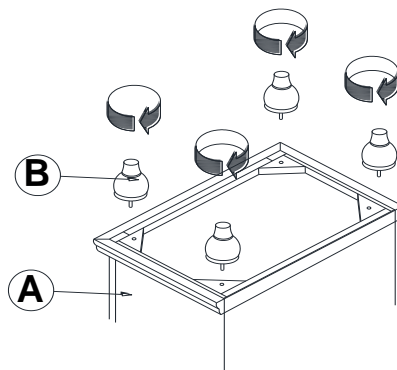


STEP 1

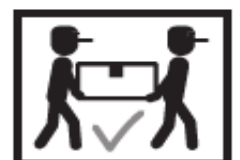


BOTTOM DRAWER BOX

STEP 2



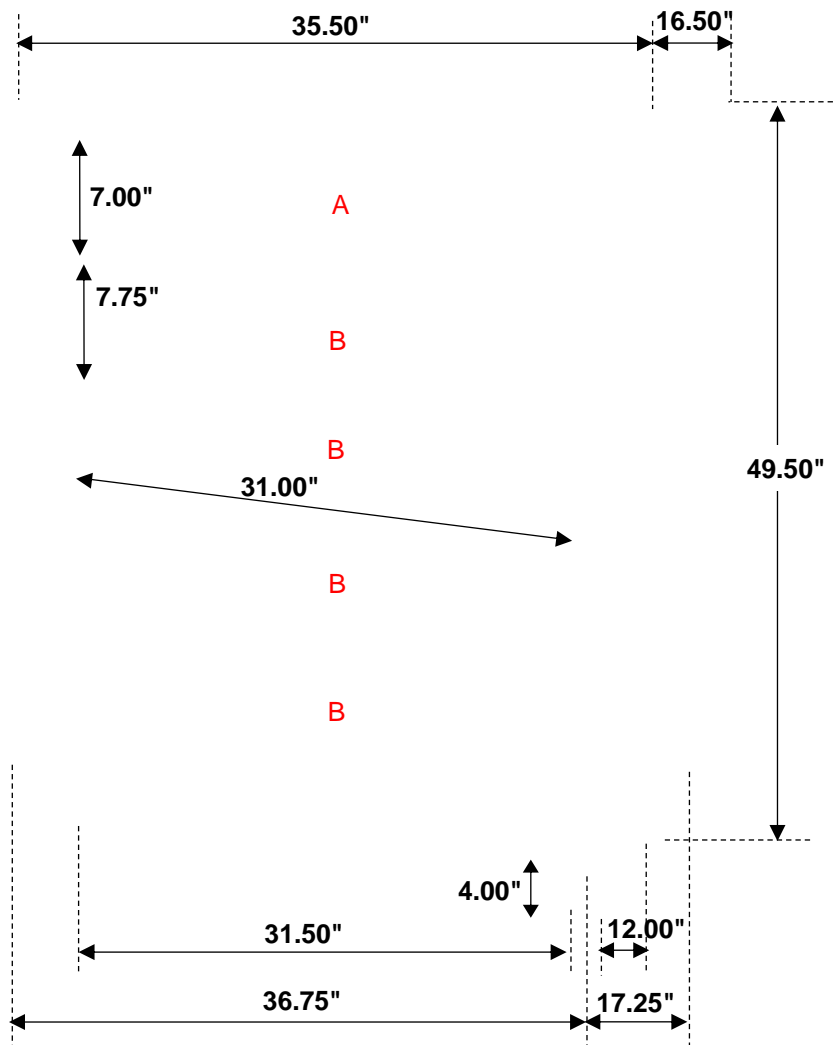
STEP 3
COMPLETE



ITEM:200895



Inner Size of Drawer A : 28.75"W X 12.50"D X 5.00"H X 0.25"T
Inner Size of Drawer B : 28.75"W X 12.50"D X 5.00"H X 0.25"T



Note: Dimension tolerance $\pm 5\%$