



ASSEMBLY INSTRUCTIONS
COASTER FINE FURNITURE



Fine Furniture for every stage of life

102171
Dining Table

REVISION 0 : 10/15/2010
REVISION 1 : 12/15/2011
REVISION 2 : 11/02/2018
REVISION 3 : 07/16/2019

PAGE 1 OF 4

COASTERFURNITURE.COM

ITEM:102171



ASSEMBLY INSTRUCTIONS

ASSEMBLY TIPS :

1. Remove hardware from box and sort by size.
2. Please check to see that all hardware and parts are present prior to start of assembly.
3. Please follow attached instructions in the same sequence as numbered to assure fast & easy assembly.



WARNING!




1. Don't attempt to repair or modify parts that are broken or defective. Please contact the store immediately.
2. This product is for home use only and not intended for commercial establishments.



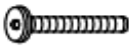
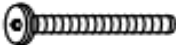



ASSEMBLY TIME

15 MINUTES

PARTS IDENTIFICATION

A	LEG		4PCS
B	LEG SUPPORT		1PC
C	TOP		1PC

HARDWARE IDENTIFICATION

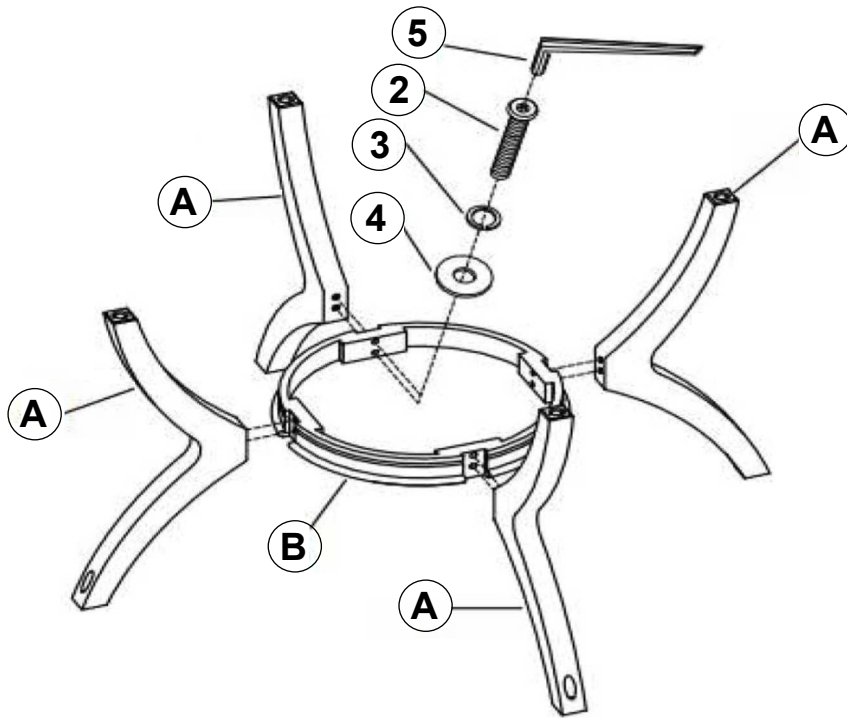
1	SHORT BOLT (Φ 1/4" x 1-1/2"L - RBW)		4PCS
2	LONG BOLT (Φ 1/4" x 2"L - RBW)		8PCS
3	LOCK WASHER (Φ 1/4"RBW)		12PCS
4	FLAT WASHER (Φ 1/4" - RBW)		12PCS
5	ALLEN WRENCH (4MM - RBW)		1PC

ITEM: **102171**

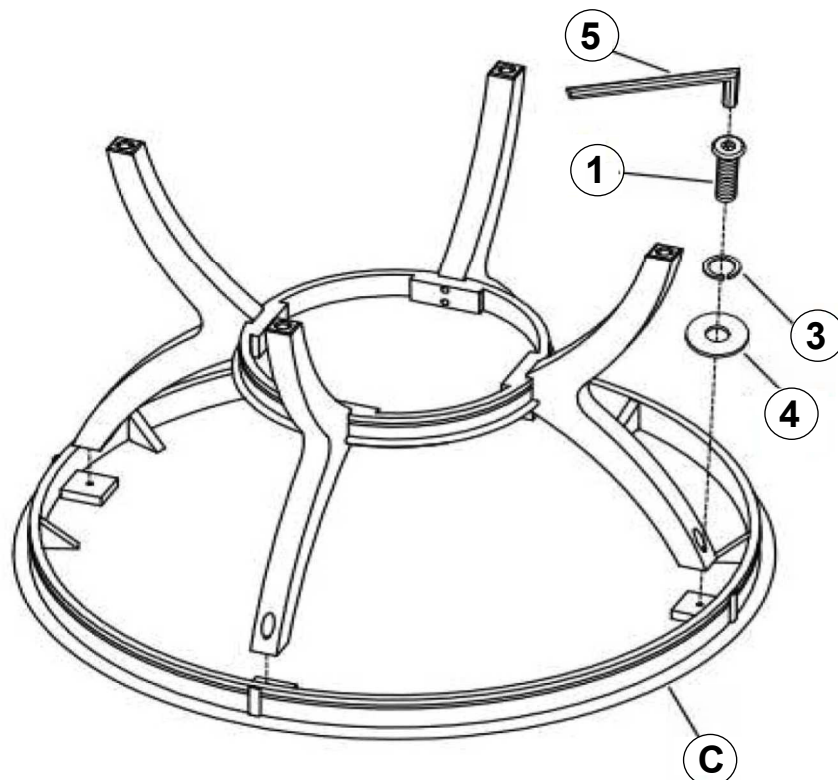
ASSEMBLY INSTRUCTIONS



STEP 1



STEP 2

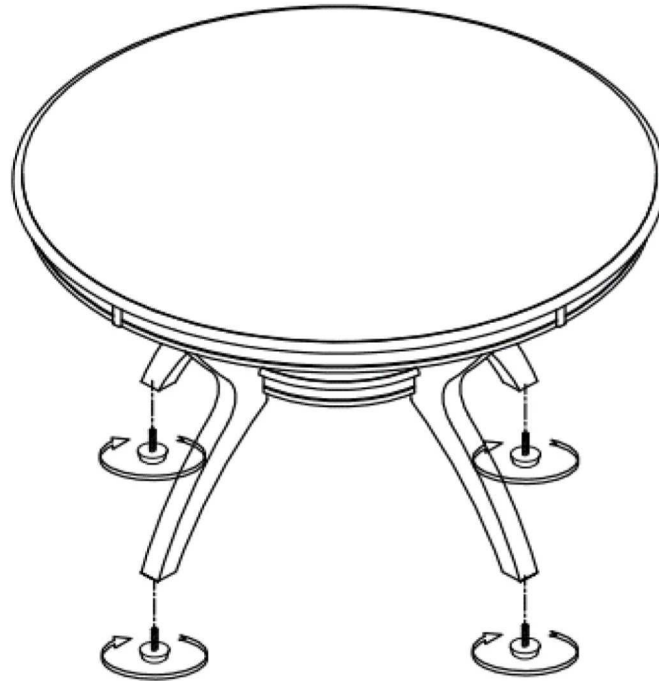


ITEM: **102171**

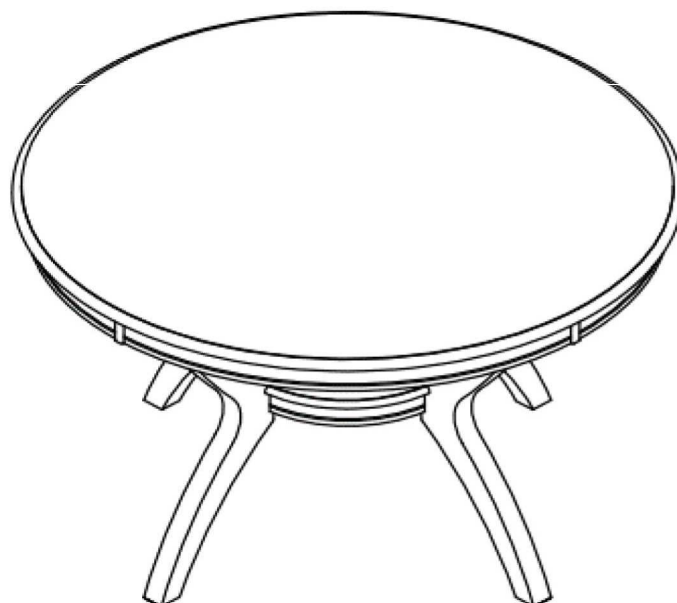
ASSEMBLY INSTRUCTIONS



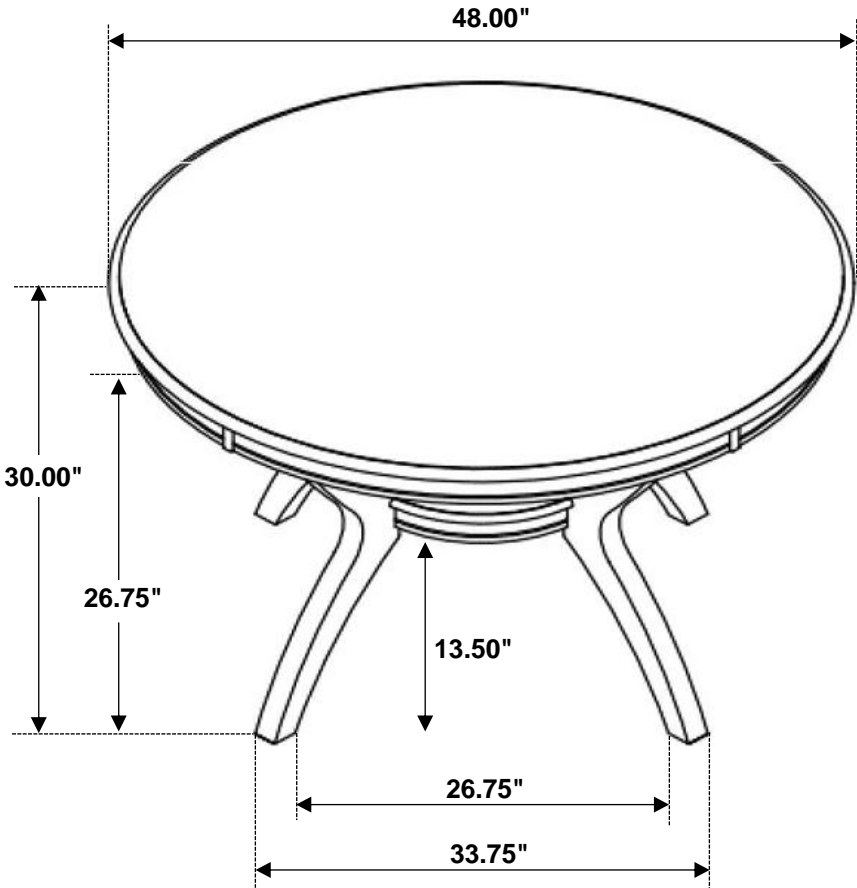
STEP 3



STEP 4
COMPLETE



ITEM:102171



Note: Dimension tolerance $\pm 5\%$