



ASSEMBLY INSTRUCTIONS
COASTER FINE FURNITURE



Fine Furniture for every stage of life

609450
Youth Rocking Chair

ITEM: **609450**



ASSEMBLY INSTRUCTIONS

ASSEMBLY TIPS:

1. Remove hardware from box and sort by size.
2. Please check to see that all hardware and parts are present prior to start of assembly.
3. Please follow attached instructions in the same sequence as numbered to assure fast & easy assembly.



WARNING!

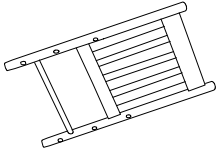
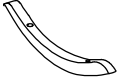






1. Don't attempt to repair or modify parts that are broken or defective. Please contact the store immediately.
2. This product is for home use only and not intended for commercial establishments.






ASSEMBLY TIME

20 MINUTES

PARTS IDENTIFICATION

| | | | | | | | |
|----|----------------------|---|------|----|---------------|---|------|
| AN | BACK FRAME |  | 1PCE | EN | ROCKER |  | 2PCS |
| BN | UPPER SIDE STRETCHER |  | 2PCS | FN | SEAT |  | 1PC |
| CN | LOWER SIDE STRETCHER |  | 2PCS | GN | LEFT ARMREST |  | 1PC |
| DN | FRONT LEG FRAME |  | 1PCE | HN | RIGHT ARMREST |  | 1PC |

HARDWARE IDENTIFICATION

| | | | | | | | |
|---|------------------------------------|---|------|---|------------------------------------|---|-------|
| 1 | PAN HEAD SCREW 3 (5x50mm - RBW) |  | 2PCS | 3 | PAN HEAD SCREW 1 (4x35mm - RBW) |  | 14PCS |
| 2 | PAN HEAD SCREW 2 (4x50mm - RBW) |  | 4PCS | 4 | GLUE |  | 1PC |

NOTE:

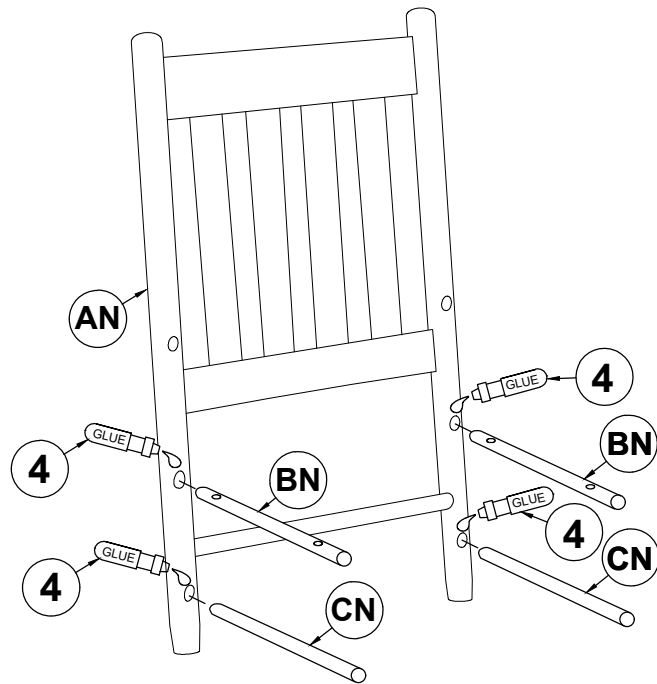
Phillips Head Screw Driver is Required in the Assembly process; However, Manufacturer Does Not Provide This Item.

ITEM: 609450

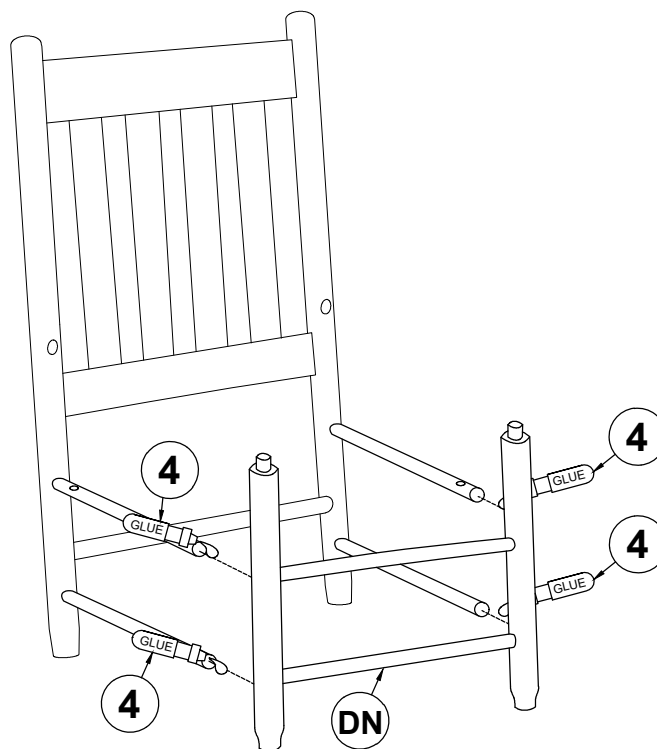


ASSEMBLY INSTRUCTIONS

STEP 1



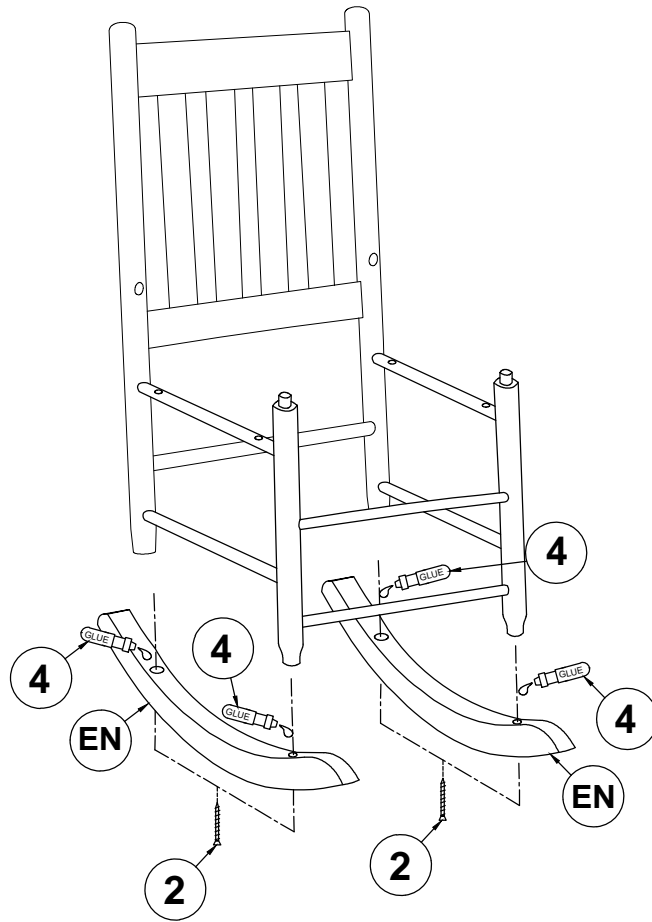
STEP 2



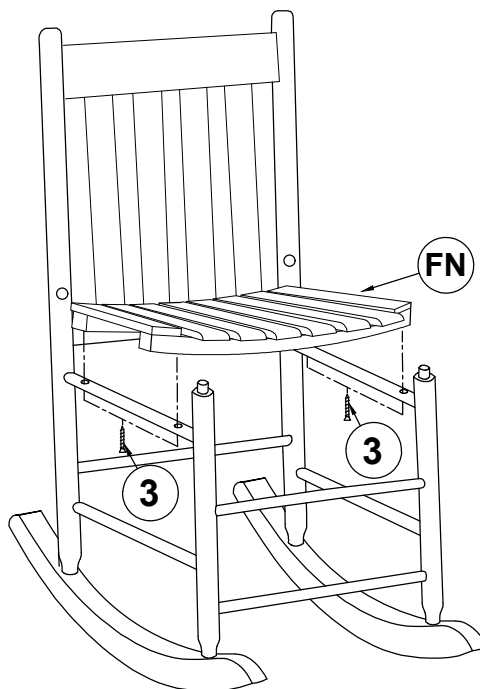
ITEM: 609450

ASSEMBLY INSTRUCTIONS

STEP 3



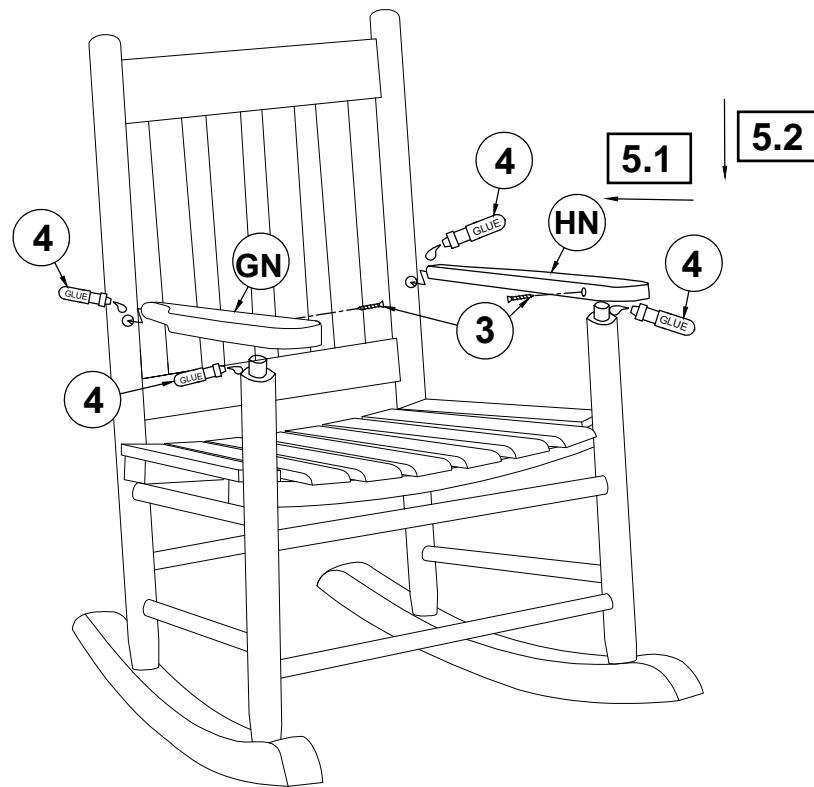
STEP 4



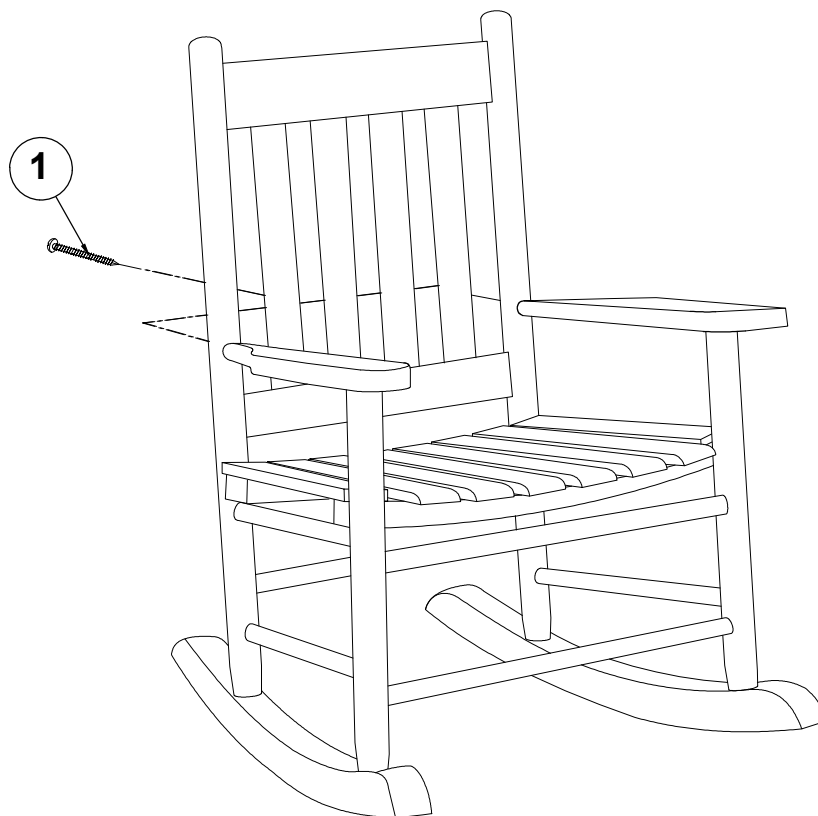
ITEM: **609450**

ASSEMBLY INSTRUCTIONS

STEP 5



STEP 6

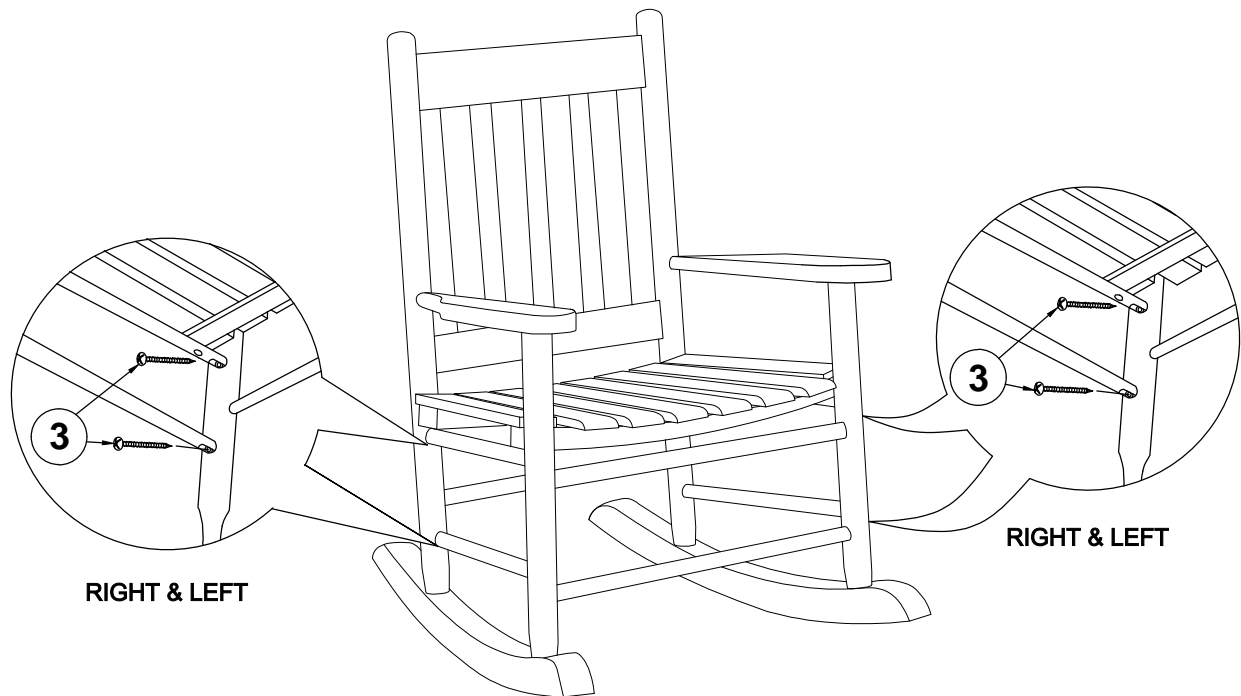


ITEM: **609450**

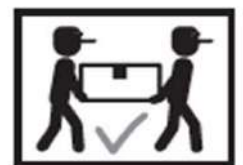
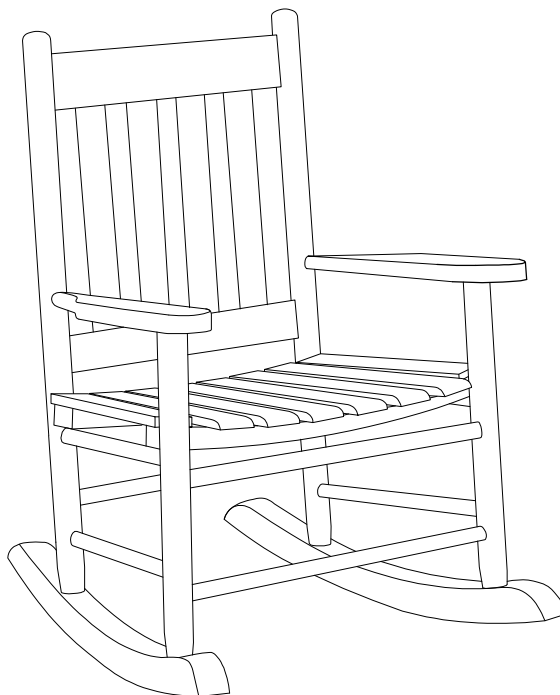


ASSEMBLY INSTRUCTIONS

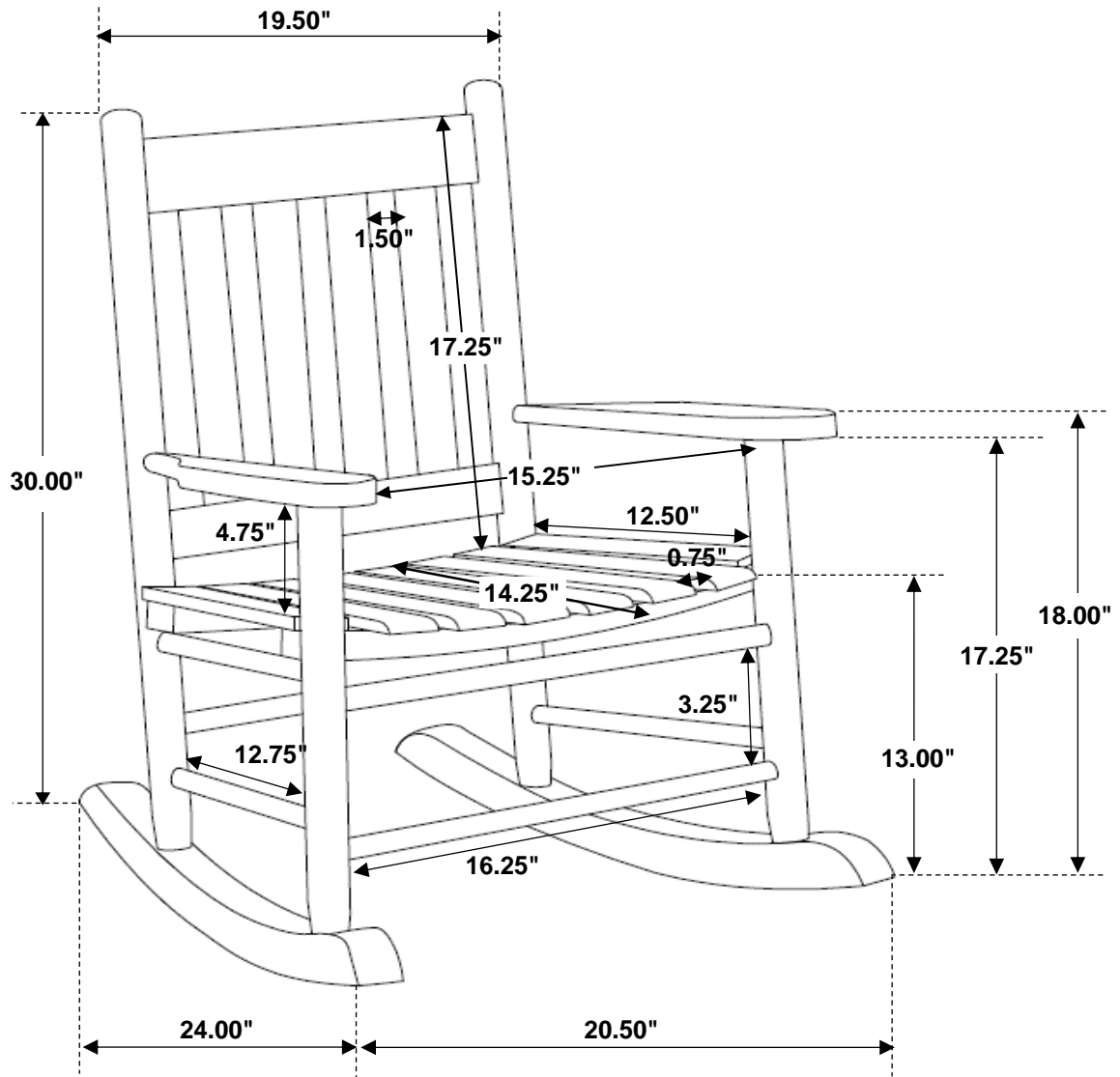
STEP 7



STEP 8 COMPLETE



ITEM: 609450



Note: Dimension tolerance $\pm 5\%$