

*ASSEMBLY INSTRUCTIONS*  
*COASTER FINE FURNITURE*



*Fine Furniture for every stage of life*

**609456**  
**Rocking Chair**

ITEM: **609456**



## ASSEMBLY INSTRUCTIONS

### ASSEMBLY TIPS:

1. Remove hardware from box and sort by size.
2. Please check to see that all hardware and parts are present prior to start of assembly.
3. Please follow attached instructions in the same sequence as numbered to assure fast & easy assembly.



### WARNING!

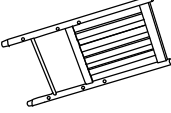







1. Don't attempt to repair or modify parts that are broken or defective. Please contact the store immediately.
2. This product is for home use only and not intended for commercial establishments.









ASSEMBLY TIME

20 MINUTES

## PARTS IDENTIFICATION

AN	BACK FRAME		1PC	EN	ROCKER		2PCS
BN	UPPER SIDE STRETCHER		2PCS	FN	SEAT		1PC
CN	LOWER SIDE STRETCHER		2PCS	GN	LEFT ARMREST		1PC
DN	FRONT LEG FRAME		1PC	HN	RIGHT ARMREST		1PC

## HARDWARE IDENTIFICATION

1	PAN HEAD SCREW 4 (5x50mm - RBW)		2PCS	4	PAN HEAD SCREW 1 (4x20mm - RBW)		8PCS
2	PAN HEAD SCREW 3 (4x50mm - RBW)		4PCS	5	L BRACKET (15x15mm - RBW)		4PCS
3	PAN HEAD SCREW 2 (4x35mm - RBW)		14PCS	6	GLUE		1PC

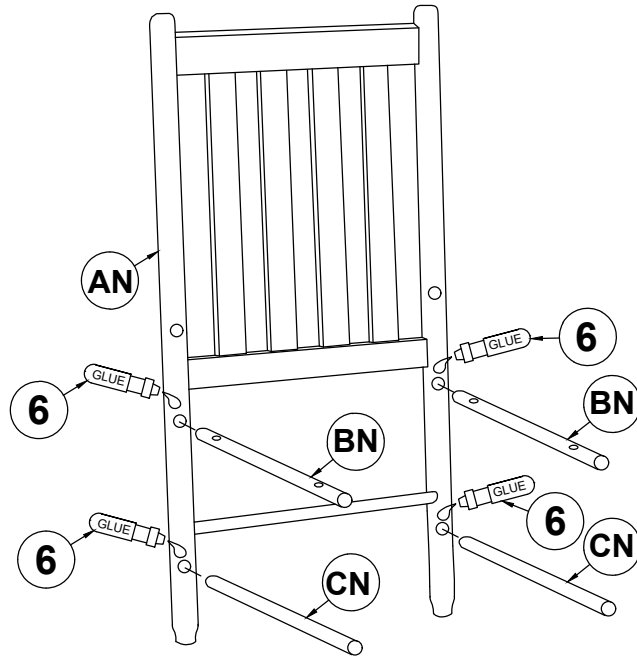
### NOTE:

Phillips head screw driver is required in the assembly process; however, manufacturer does not provide this item.

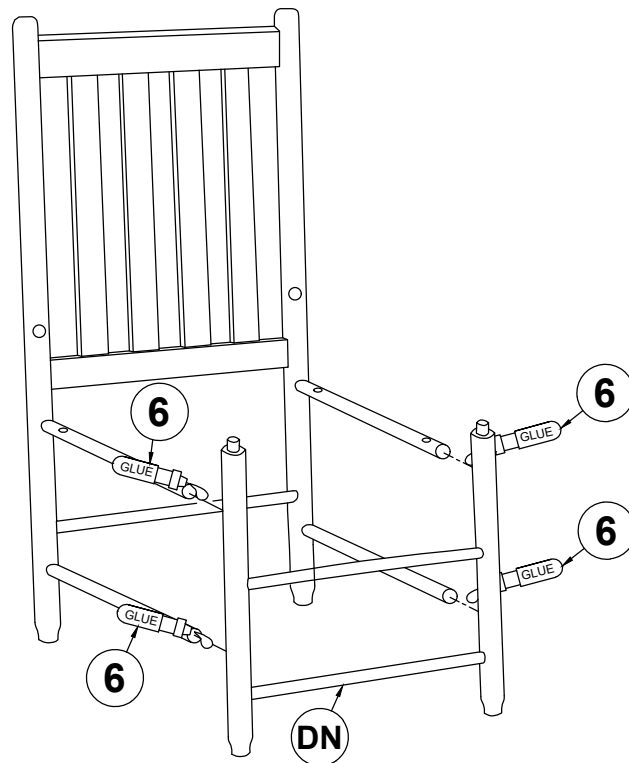
ITEM: **609456**

**ASSEMBLY INSTRUCTIONS**

**STEP 1**



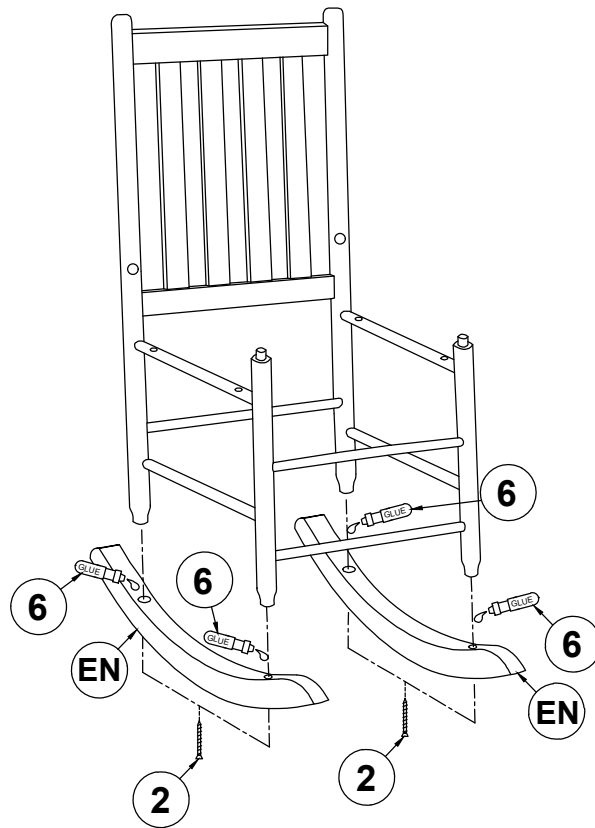
**STEP 2**



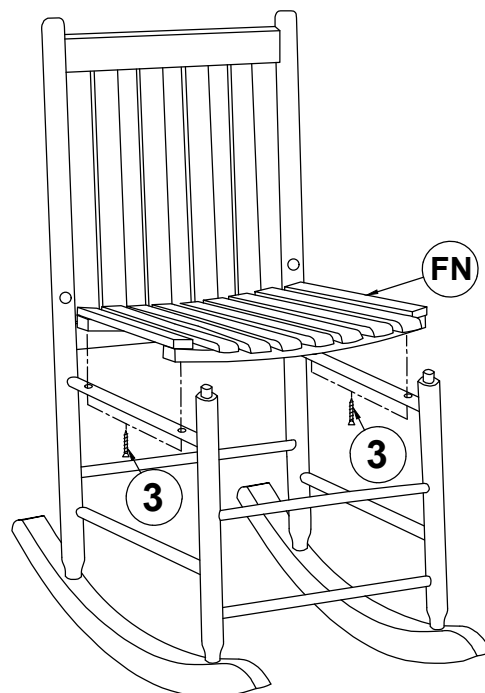
ITEM: **609456**

**ASSEMBLY INSTRUCTIONS**

**STEP 3**



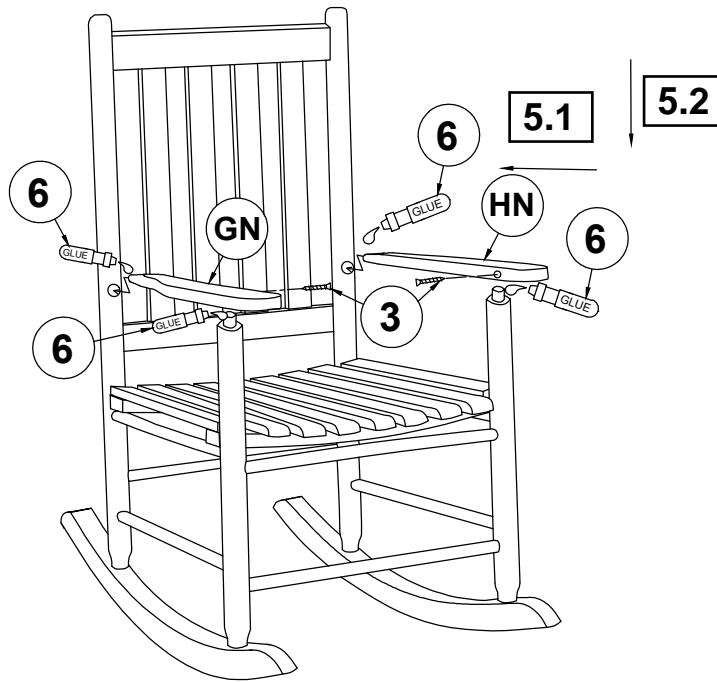
**STEP 4**



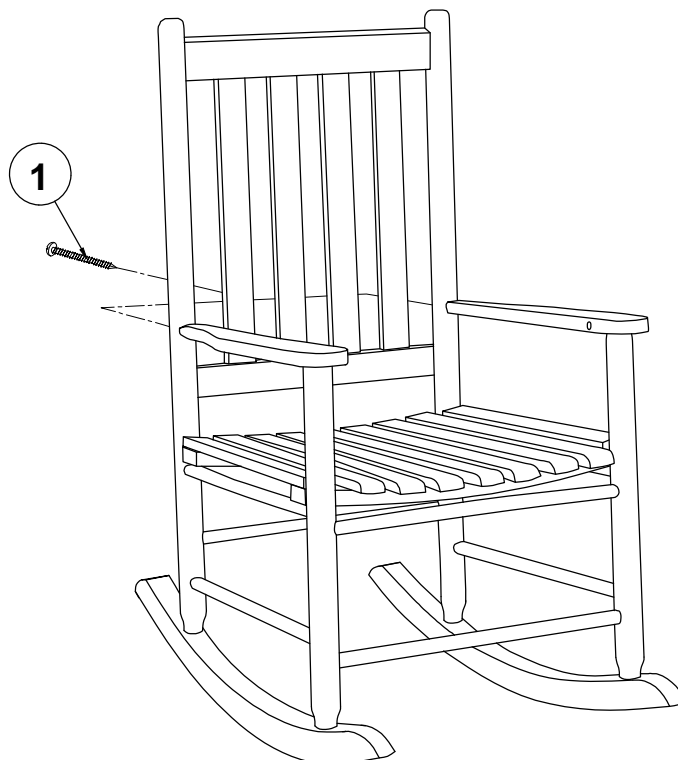
ITEM: **609456**



**ASSEMBLY INSTRUCTIONS**  
**STEP 5**



**STEP 6**

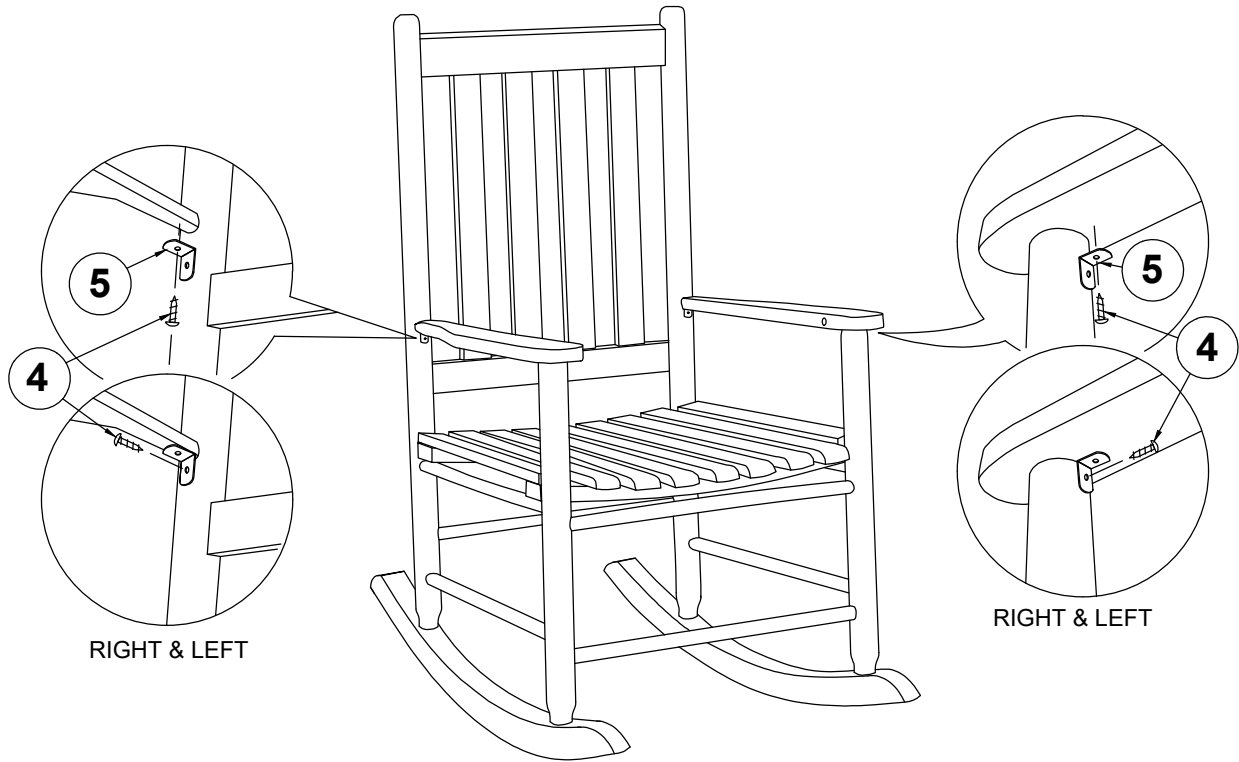


ITEM: **609456**

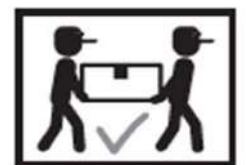
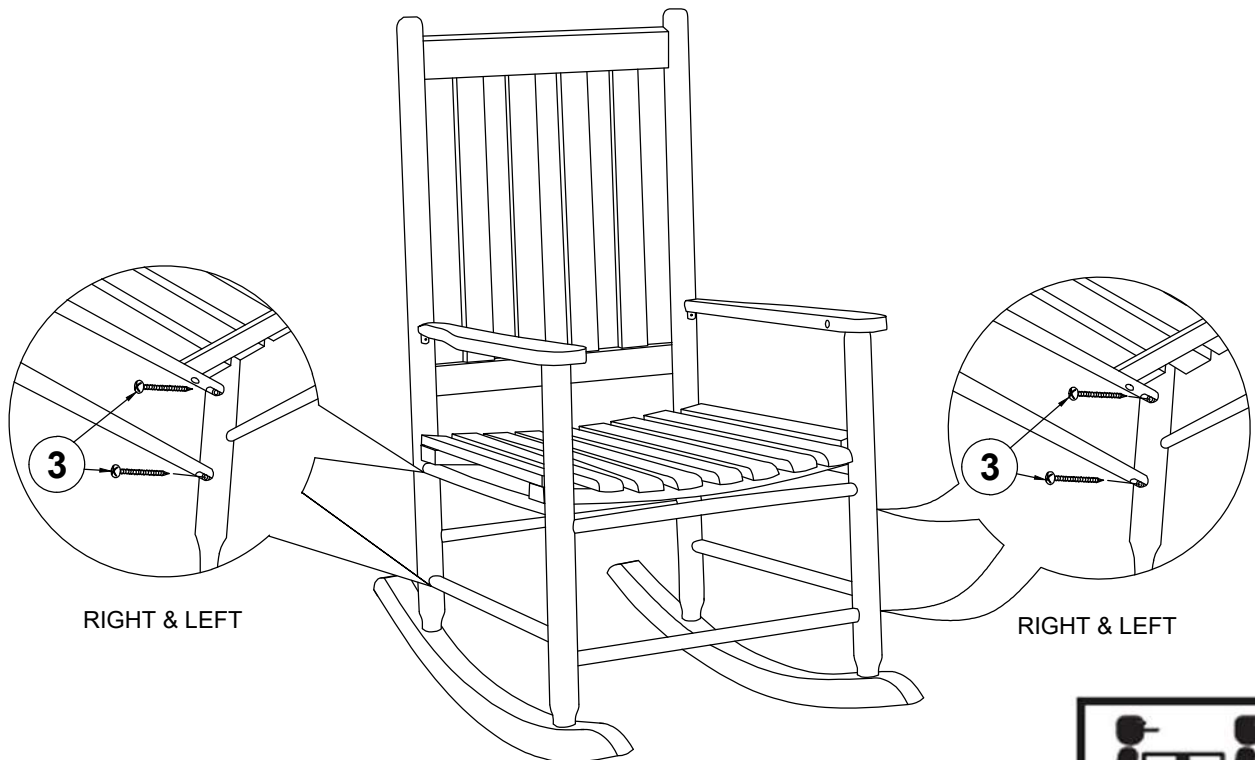


**ASSEMBLY INSTRUCTIONS**

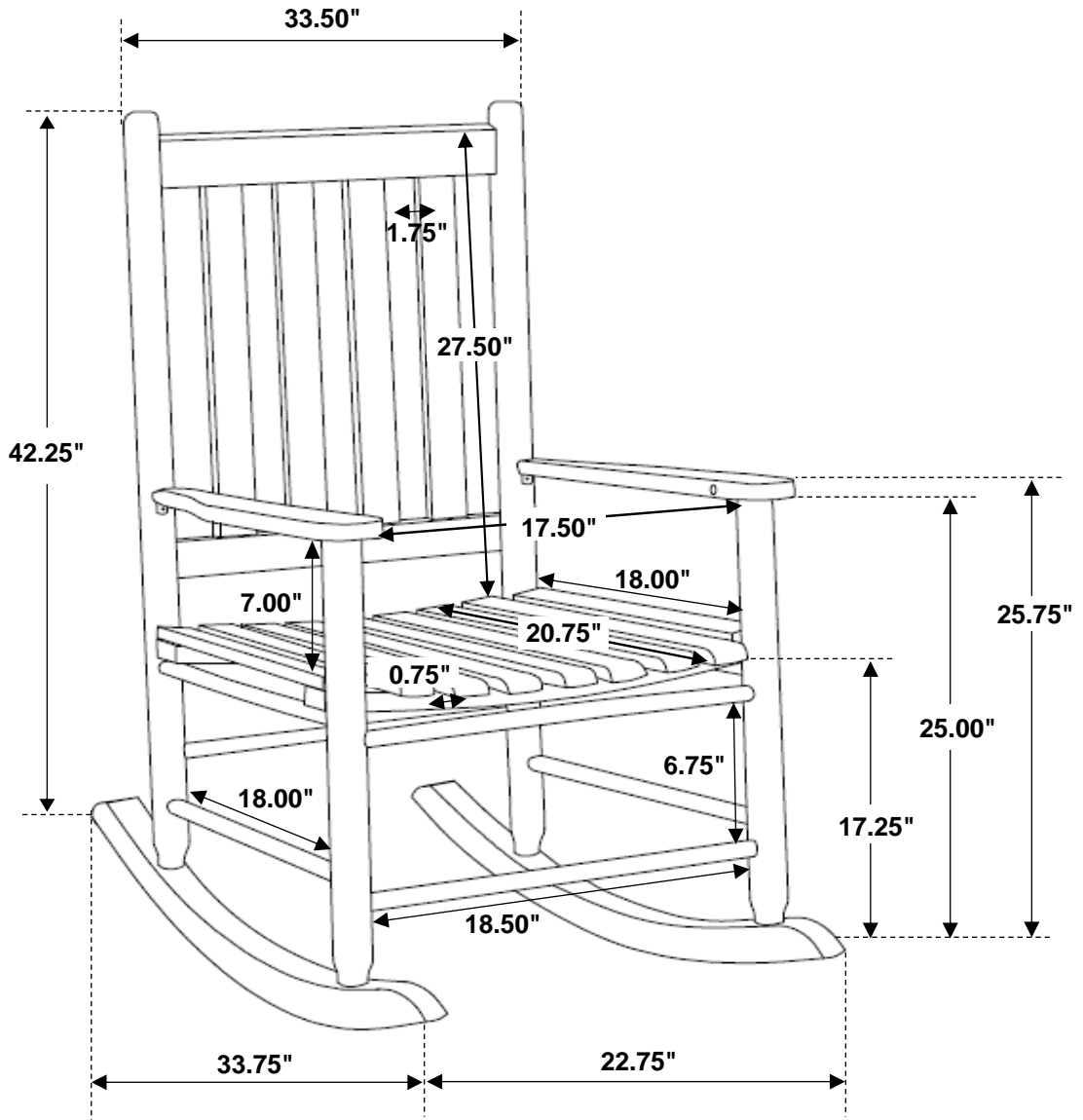
**STEP 7**



**STEP 8**  
**COMPLETE**



ITEM: 609456



Note: Dimension tolerance  $\pm 5\%$