

ASSEMBLY INSTRUCTIONS
COASTER FINE FURNITURE



Fine Furniture for every stage of life

707717
END TABLE

ITEM:707717

ASSEMBLY INSTRUCTIONS

ASSEMBLY TIPS:

1. Remove hardware from box and sort by size.
2. Please check to see that all hardware and parts are present prior to start of assembly.
3. Please follow attached instructions in the same sequence as numbered to assure fast & easy assembly.



WARNING!

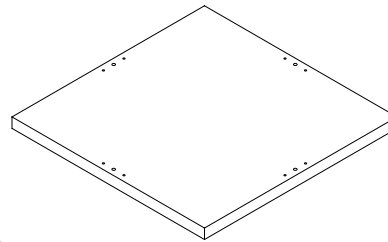
1. Don't attempt to repair or modify parts that are broken or defective. Please contact the store immediately.
2. This product is for home use only and not intended for commercial establishments.

ASSEMBLY TIME

40 MINUTES

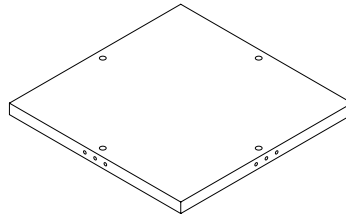
PARTS IDENTIFICATION

A TOP



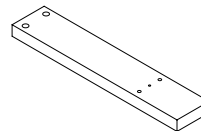
1 PC

B BOTTOM PANEL



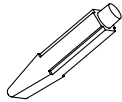

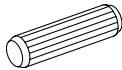

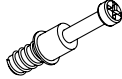
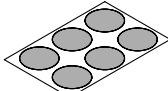
1 PC

C LEG



4 PCS

HARDWARE IDENTIFICATION

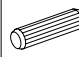



Z							
NO	DESCRIPTION	FIGURE	Q'TY	NO	DESCRIPTION	FIGURE	Q'TY
1	GLUE 15g		1 PC	4	CAM LOCK Ø15x12mm SR		12 PCS
2	WOODEN DOWEL Ø8x30mm		12 PCS	5	PLASTIC FEET Ø15mm		4 PCS
3	CAM BOLT Ø7x35.5mm SR		12 PCS	6	STICKER Ø20mm		2 PCS

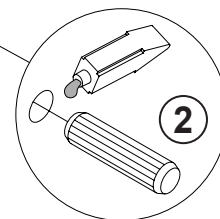
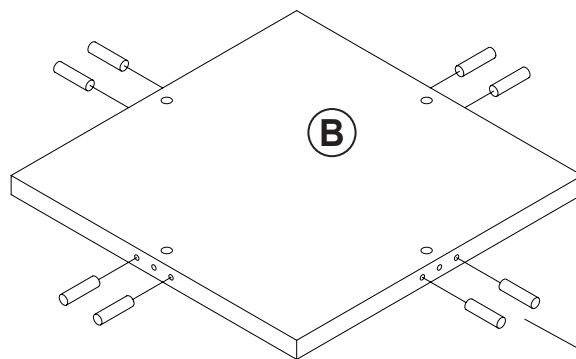
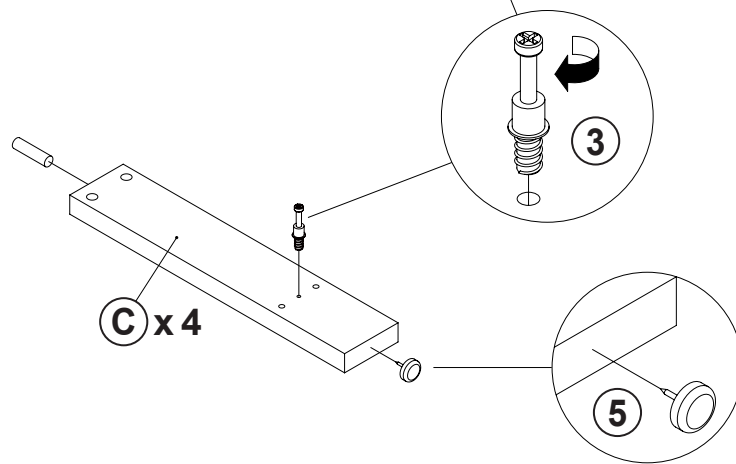
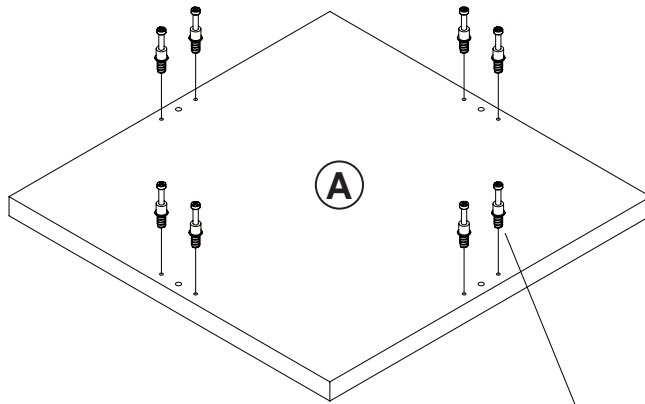
NOTE:

Phillips head screw driver is required in the assembly process; however, manufacturer does not provide this item.

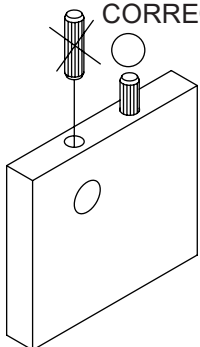
ITEM: 707717

STEP 1

-  **2**
x 12
-  **3**
x 12
-  **4**
x 12
-  **5**
x 4



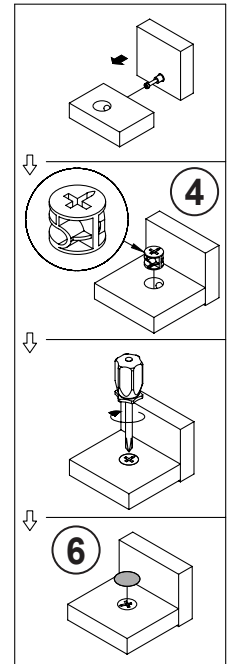
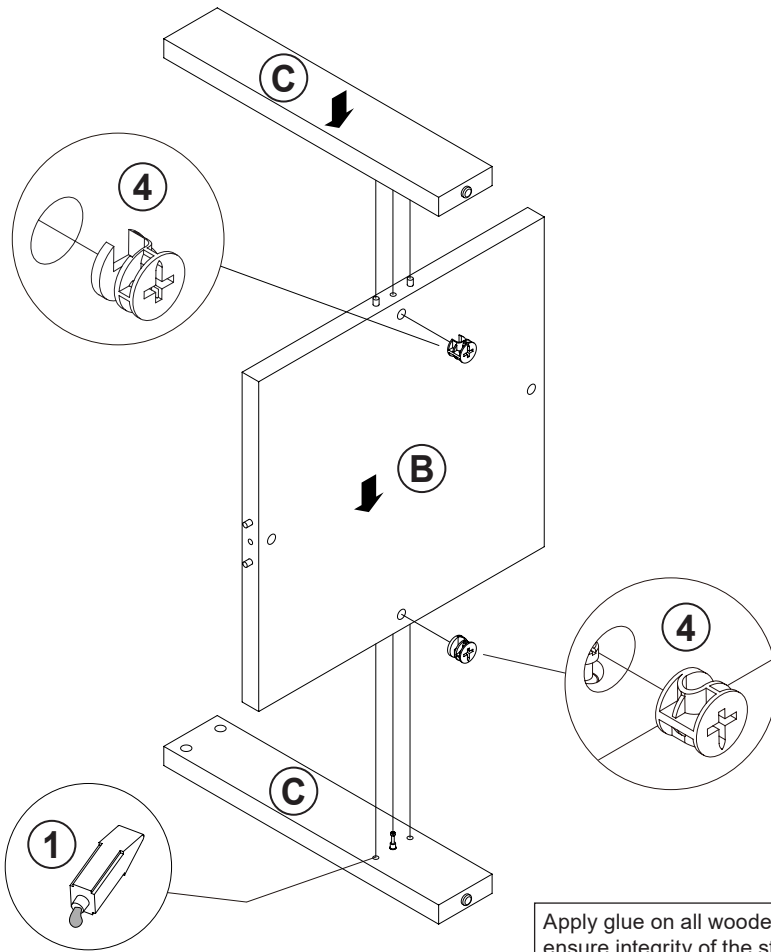
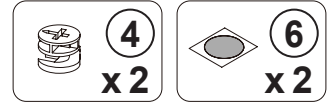
INCORRECT
CORRECT



Apply glue on all wooden dowels to ensure integrity of the structure.

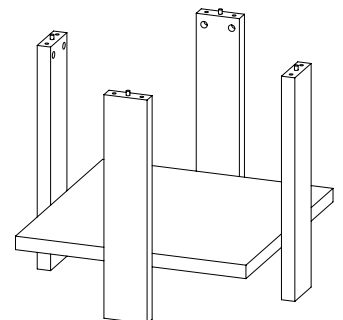
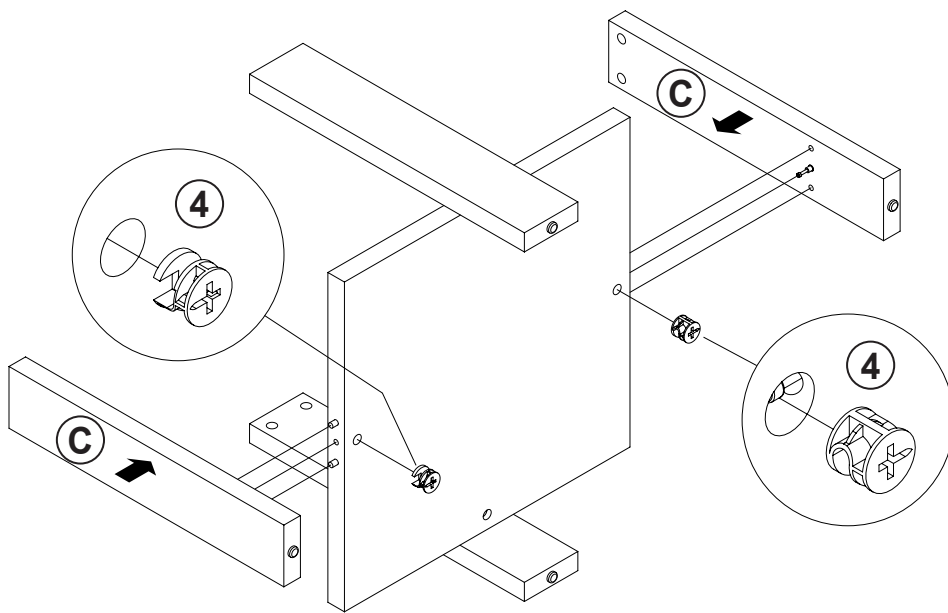
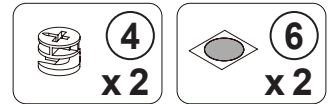
ITEM: 707717

STEP 2



Apply glue on all wooden dowels to ensure integrity of the structure.

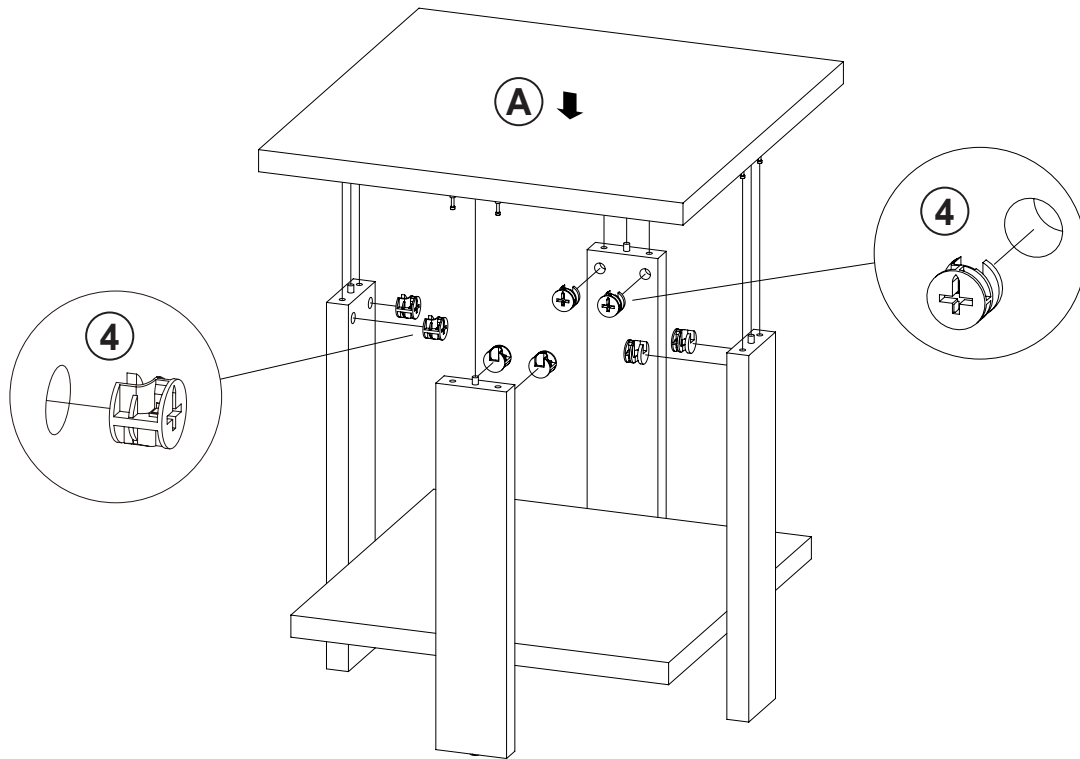
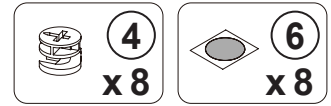
STEP 3



ITEM: 707717

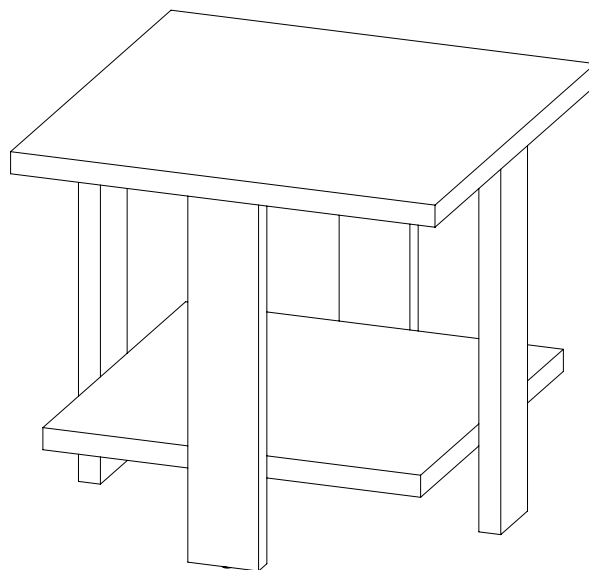
STEP 4

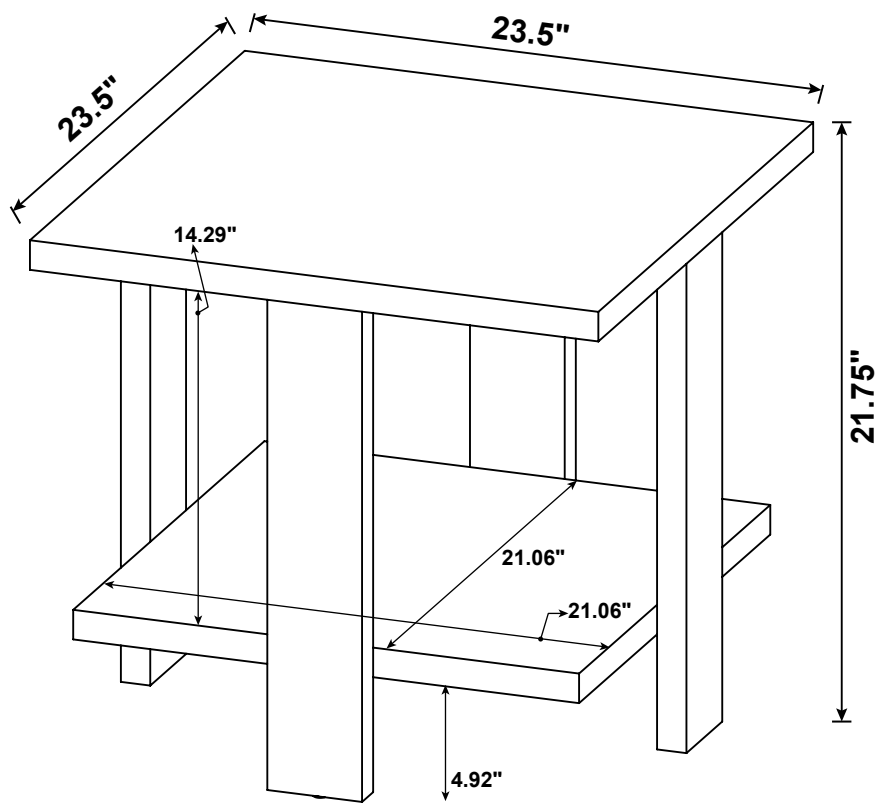
COASTER
FINE FURNITURE



STEP 5

COMPLETE





Note : Dimension tolerance $\pm 5\%$