

ASSEMBLY INSTRUCTIONS
COASTER FINE FURNITURE



Fine Furniture for every stage of life

707718
COFFEE TABLE

ITEM:707718

ASSEMBLY INSTRUCTIONS

ASSEMBLY TIPS:

1. Remove hardware from box and sort by size.
2. Please check to see that all hardware and parts are present prior to start of assembly.
3. Please follow attached instructions in the same sequence as numbered to assure fast & easy assembly.



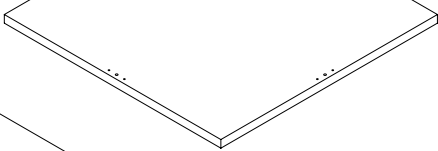
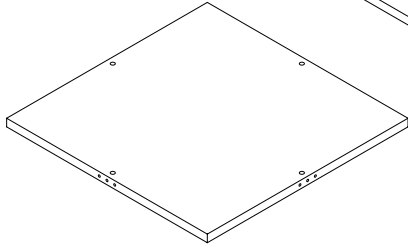
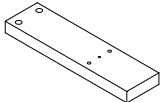
WARNING!

1. Don't attempt to repair or modify parts that are broken or defective. Please contact the store immediately.
2. This product is for home use only and not intended for commercial establishments.

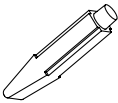

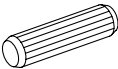

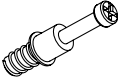
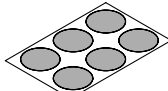
ASSEMBLY TIME

40 MINUTES

PARTS IDENTIFICATION

A	TOP		1 PC
B	BOTTOM PANEL		1 PC
C	LEG		4 PCS

HARDWARE IDENTIFICATION

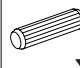
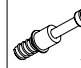


Z							
NO	DESCRIPTION	FIGURE	Q'TY	NO	DESCRIPTION	FIGURE	Q'TY
1	GLUE 15g		1 PC	4	CAM LOCK Ø15x12mm SR		12 PCS
2	WOODEN DOWEL Ø8x30mm		12 PCS	5	PLASTIC FEET Ø15mm		4 PCS
3	CAM BOLT Ø7x35.5mm SR		12 PCS	6	STICKER Ø20mm		2 PCS

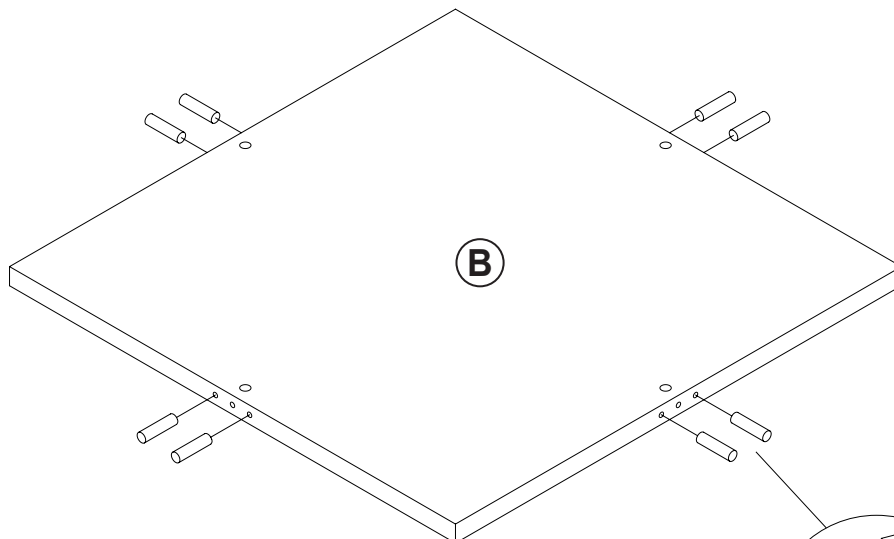
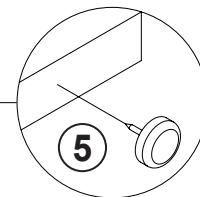
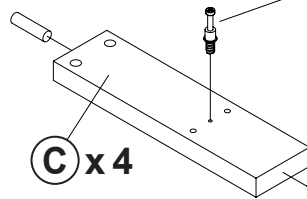
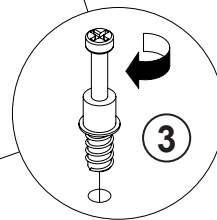
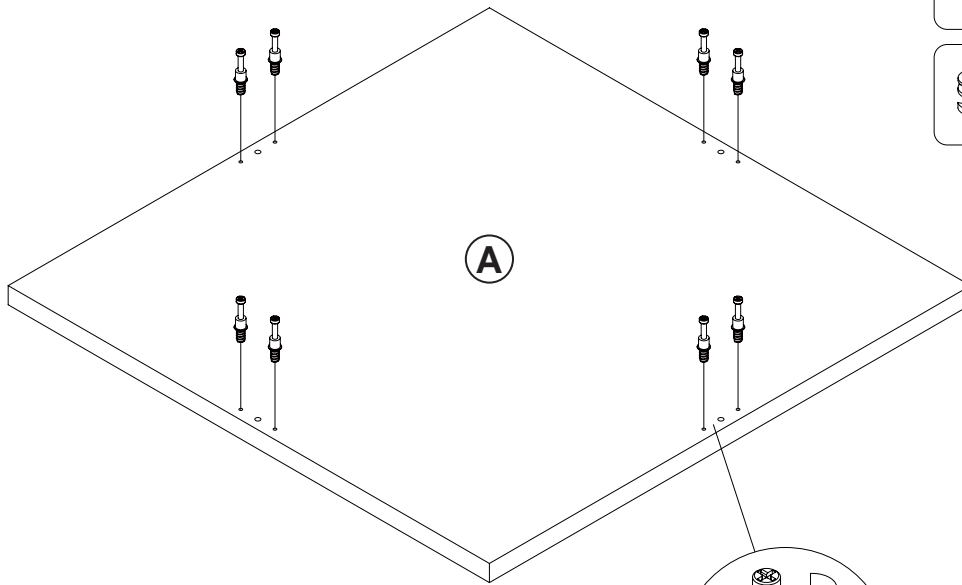
NOTE:

Phillips head screw driver is required in the assembly process; however, manufacturer does not provide this item.

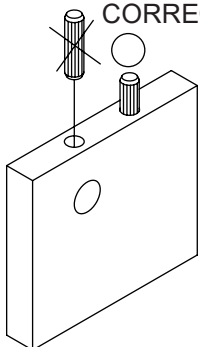
ITEM: 707718

STEP 1

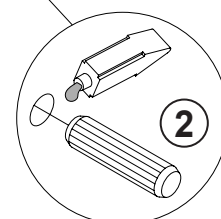
-  **2**
x 12
-  **3**
x 12
-  **4**
x 12
-  **5**
x 4



INCORRECT
CORRECT

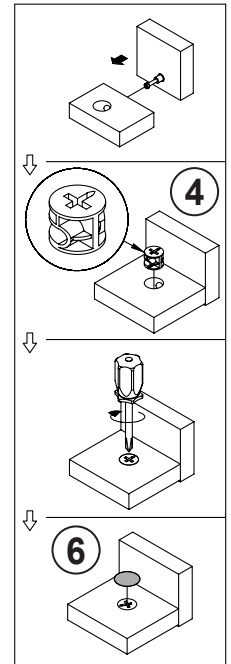
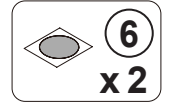
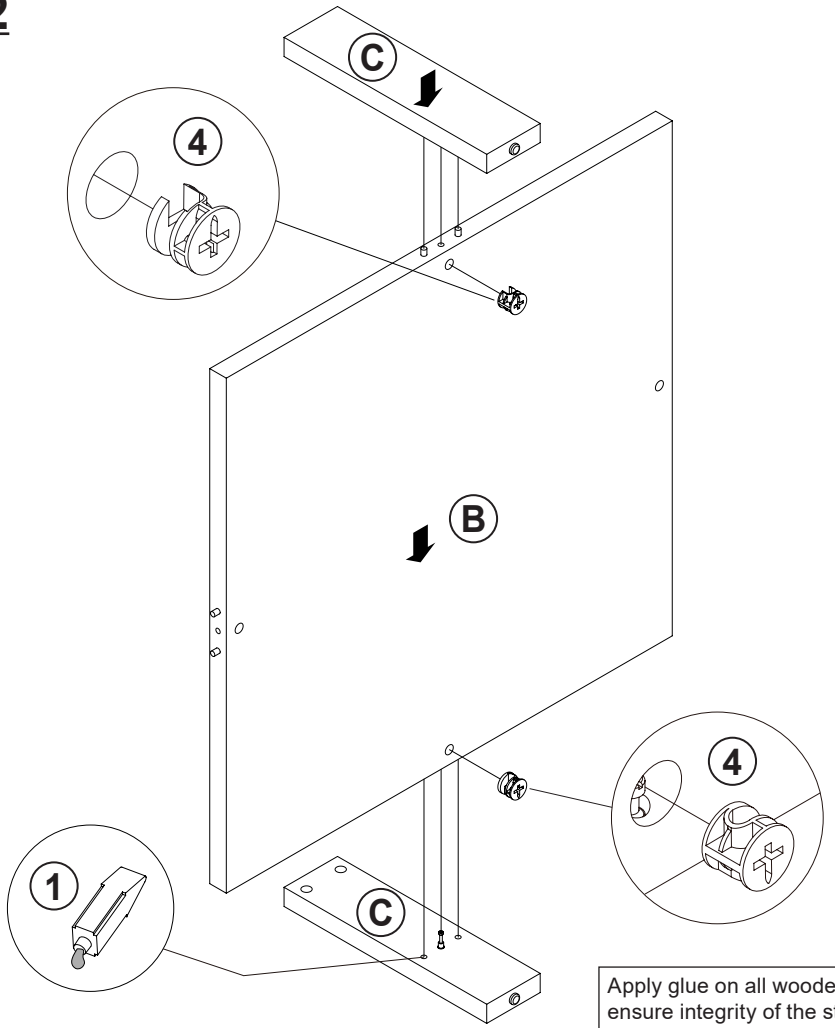


Apply glue on all wooden dowels to ensure integrity of the structure.



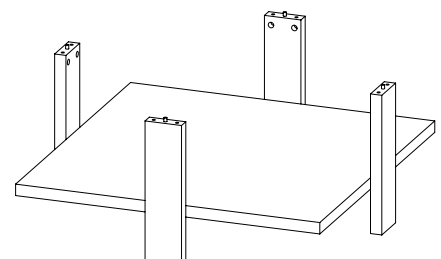
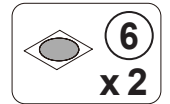
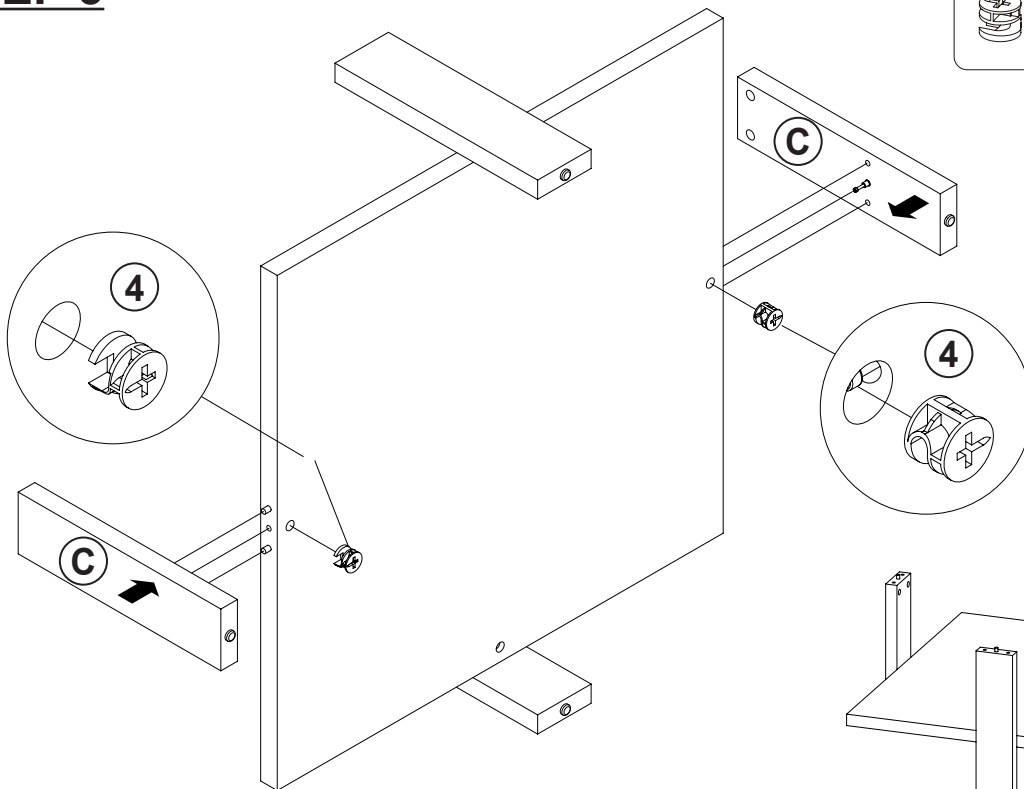
ITEM: 707718

STEP 2



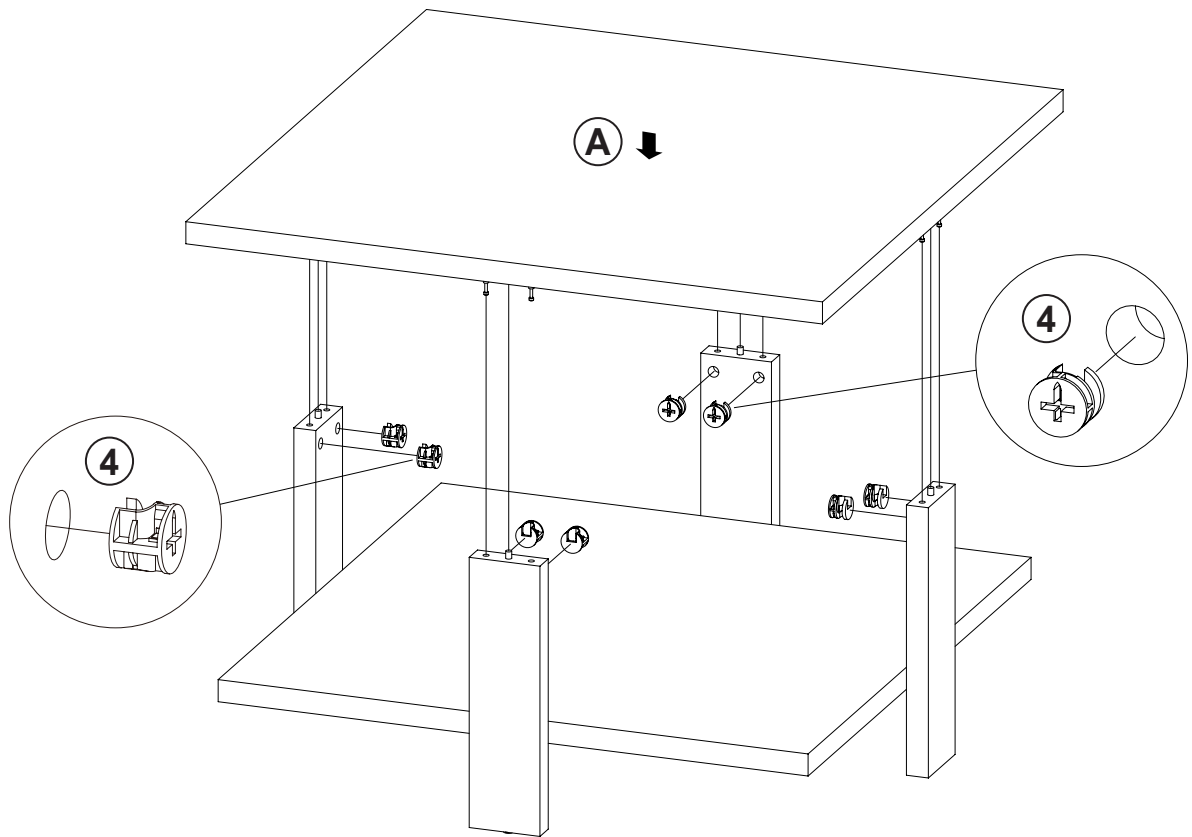
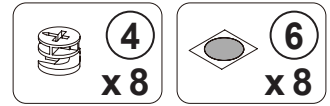
Apply glue on all wooden dowels to ensure integrity of the structure.

STEP 3



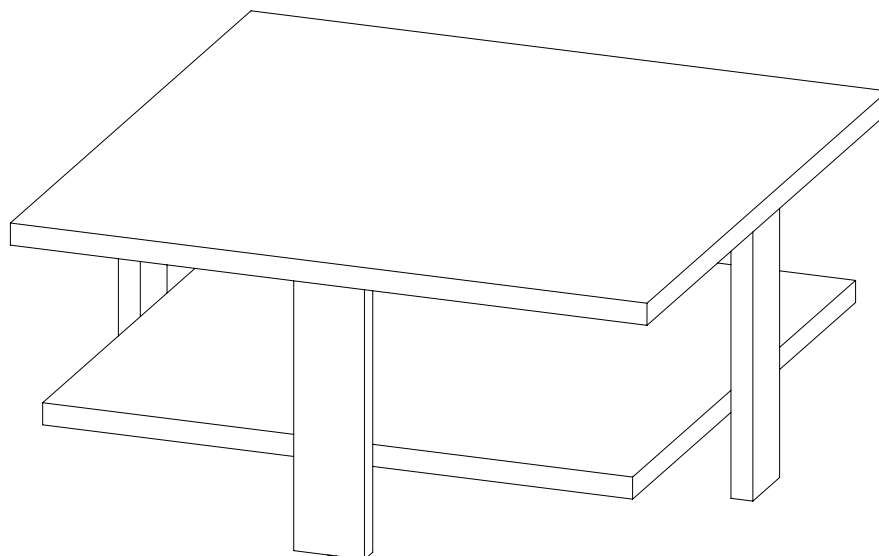
ITEM: 707718

STEP 4

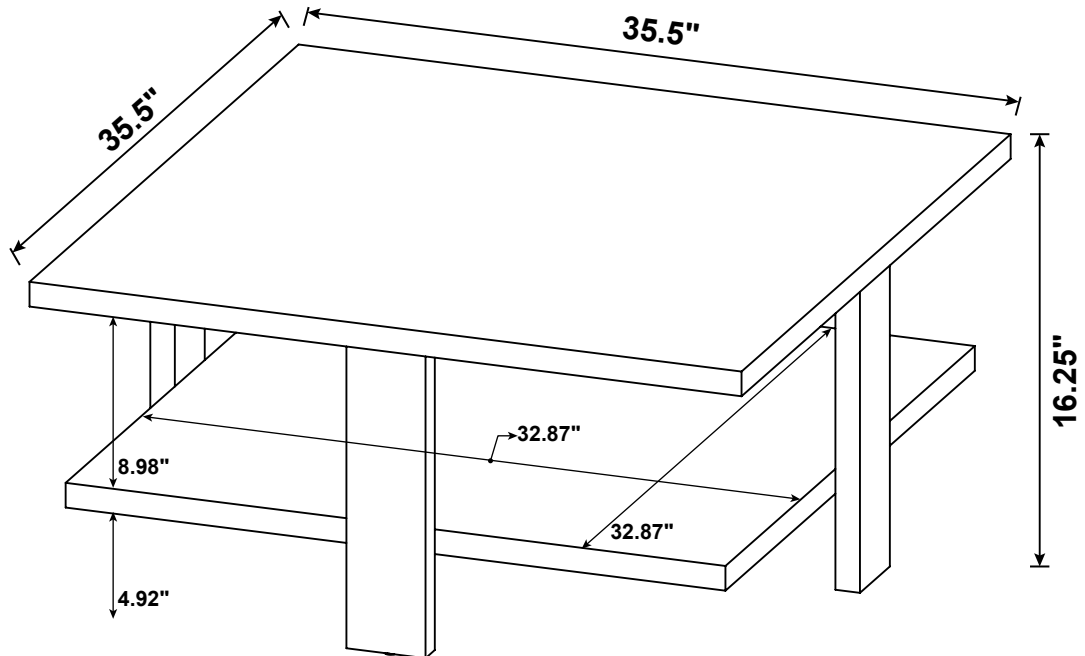


STEP 5

COMPLETE



ITEM:707718



Note : Dimension tolerance $\pm 5\%$