

ASSEMBLY INSTRUCTIONS
COASTER FINE FURNITURE



Fine Furniture for every stage of life

707728
COFFEE TABLE

ITEM: 707728

ASSEMBLY INSTRUCTIONS

ASSEMBLY TIPS:

1. Remove hardware from box and sort by size.
2. Please check to see that all hardware and parts are present prior to start of assembly.
3. Please follow attached instructions in the same sequence as numbered to assure fast & easy assembly.



WARNING!

1. Don't attempt to repair or modify parts that are broken or defective. Please contact the store immediately.
2. This product is for home use only and not intended for commercial establishments.

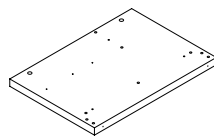


ASSEMBLY TIME

60 MINUTES

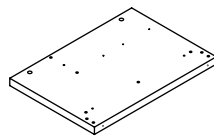
PARTS IDENTIFICATION

A LEFT SIDE
PANEL



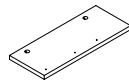
1 PC

B RIGHT SIDE
PANEL



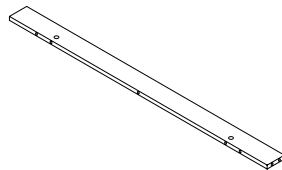
1 PC

C MIDDLE DIVIDER
PANEL



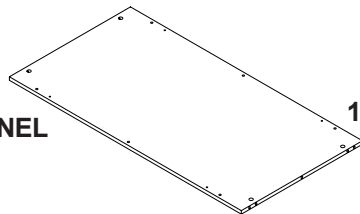
1 PC

D LOWER CROSS
BRACE



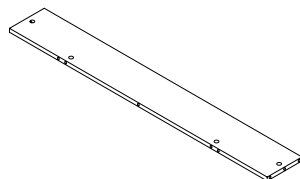
2 PCS

E BOTTOM PANEL



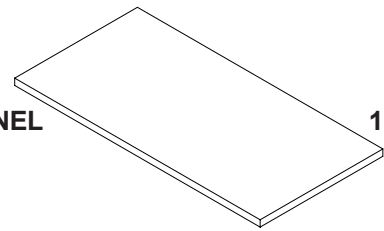
1 PC

F BACK PANEL



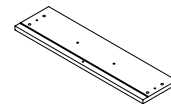
1 PC

G TOP PANEL



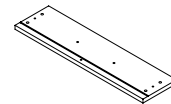
1 PC

H LEFT DRAWER
FRONT PANEL



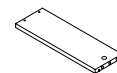
1 PC

I RIGHT DRAWER
FRONT PANEL



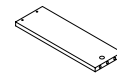
1 PC

J DRAWER LEFT
SIDE PANEL



2 PCS

K DRAWER RIGHT
SIDE PANEL



2 PCS

L DRAWER
BOTTOM
SUPPORT

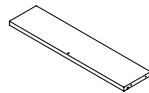


2 PCS

NOTE:

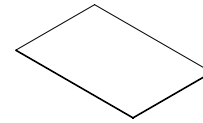
Phillips head screw driver is required in the assembly process; however, manufacturer does not provide this item.

M DRAWER
BACK PANEL



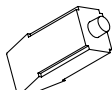



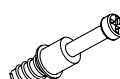
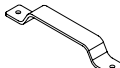





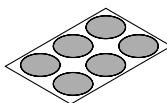
2 PCS

N DRAWER
BOTTOM PANEL



2 PCS

HARDWARE IDENTIFICATION

Z							
NO	DESCRIPTION	FIGURE	Q'TY	NO	DESCRIPTION	FIGURE	Q'TY
1	GLUE 40g		1 PC	7	RAIL L = 350mm BLK		2 SET
2	WOODEN DOWEL Ø8x30mm		43 PCS	8	SCREW Ø3x10mm BLK		24 PCS
3	CAM BOLT Ø7x35.5mm SR		24 PCS	9	HANDLE BLK		2 PCS
4	CAM LOCK Ø15x12mm SR		24 PCS	10	HANDLE BOLT M5x25mm BLK		4 PCS
5	SCREW Ø4.3x35mm SR		10 PCS	11	NUT M5		4 PCS
6	PLASTIC FEET Ø15mm		6 PCS	12	STICKER Ø20mm		4 PCS

Z7,Z9,Z10,Z11 not included in blister packaging.

NOTE:

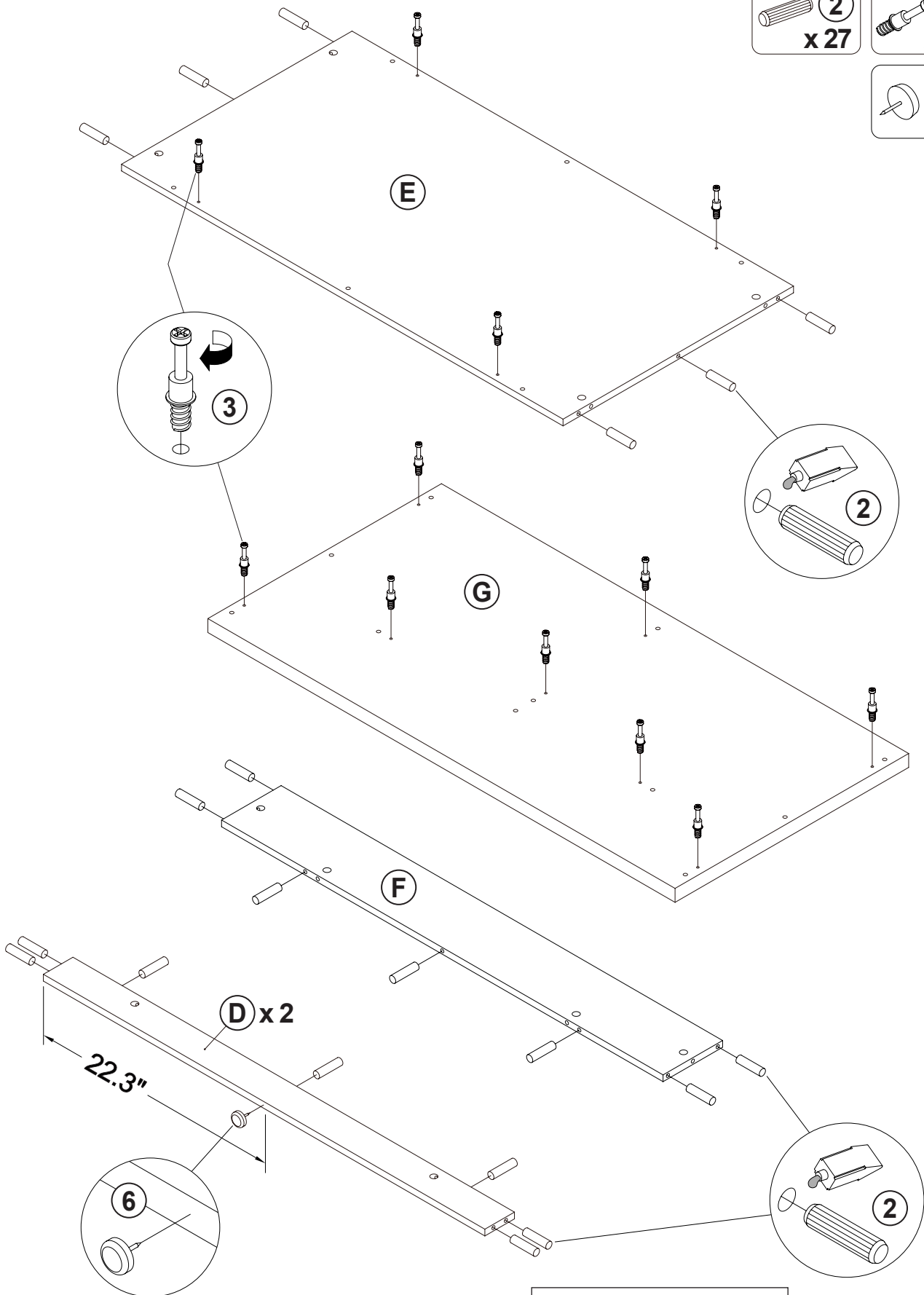
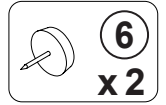
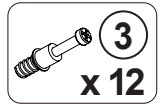
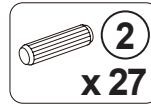
Phillips head screw driver is required in the assembly process; however, manufacturer does not provide this item.

ITEM: 707728

COASTER[®]

FINE FURNITURE

STEP 3

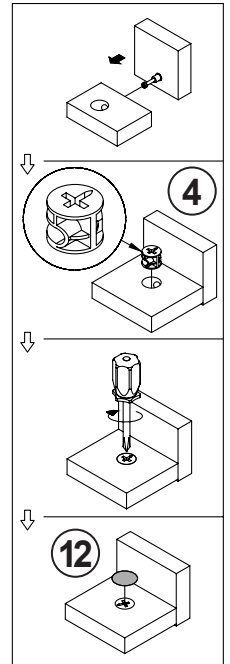
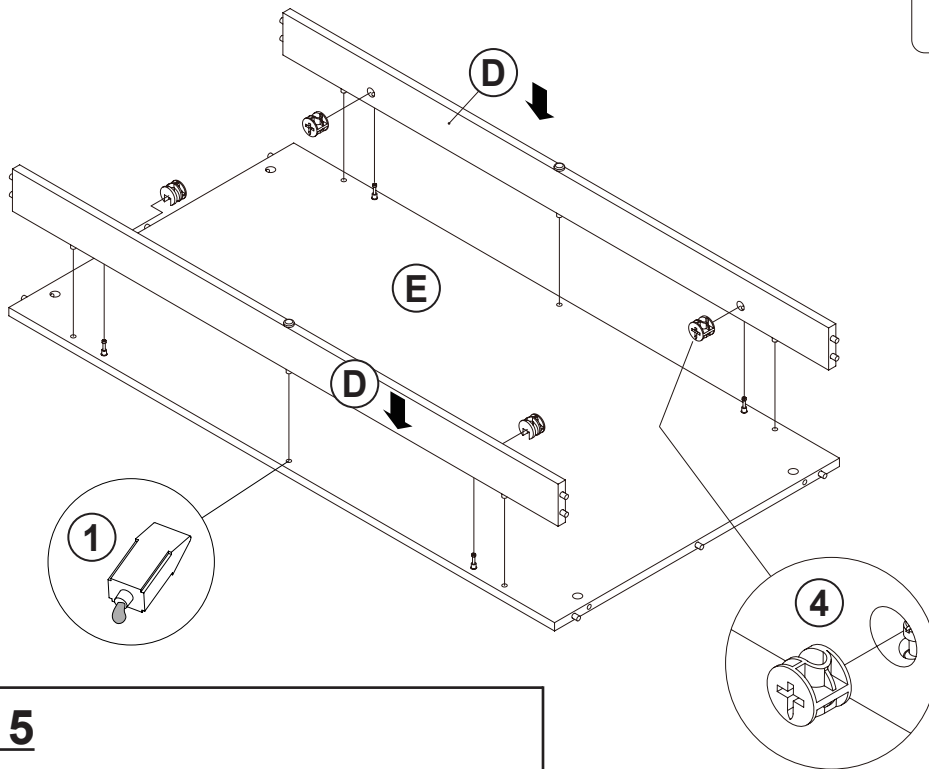
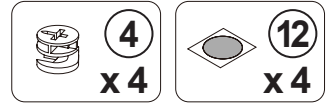


Apply glue on all wooden dowels to ensure integrity of the structure.

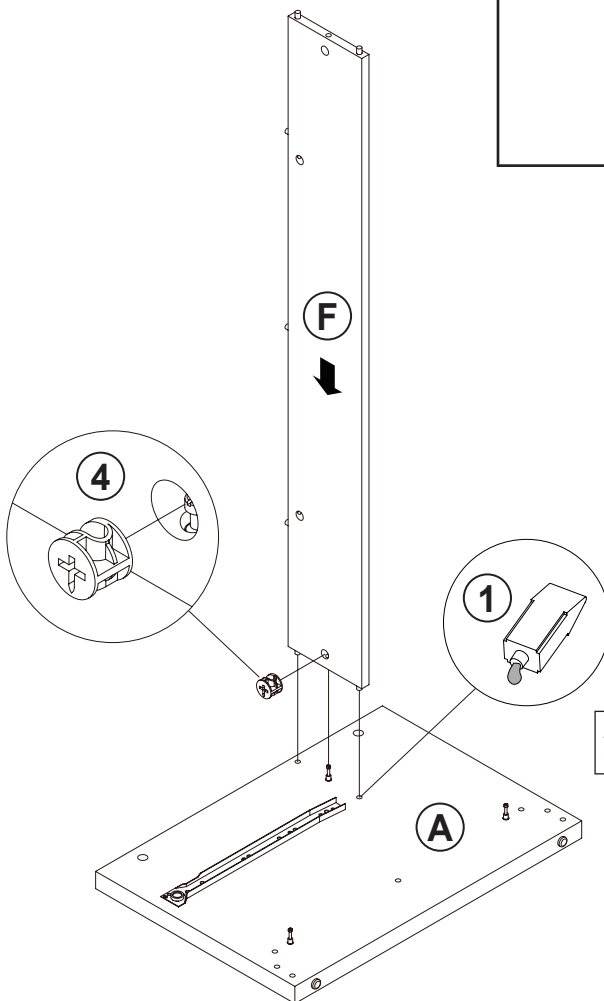
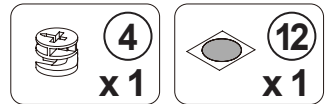
ITEM: 707728

COASTER
FINE FURNITURE

STEP 4



STEP 5



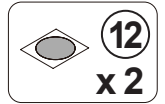
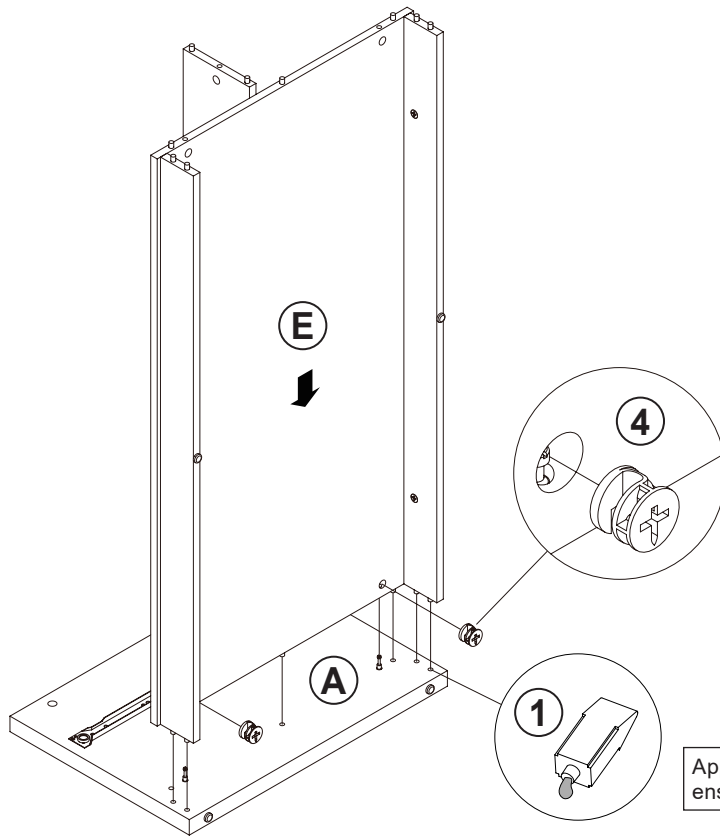
Apply glue on all wooden dowels to ensure integrity of the structure.

ITEM: 707728

COASTER[®]

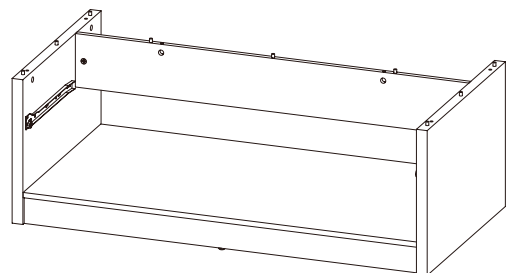
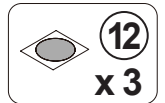
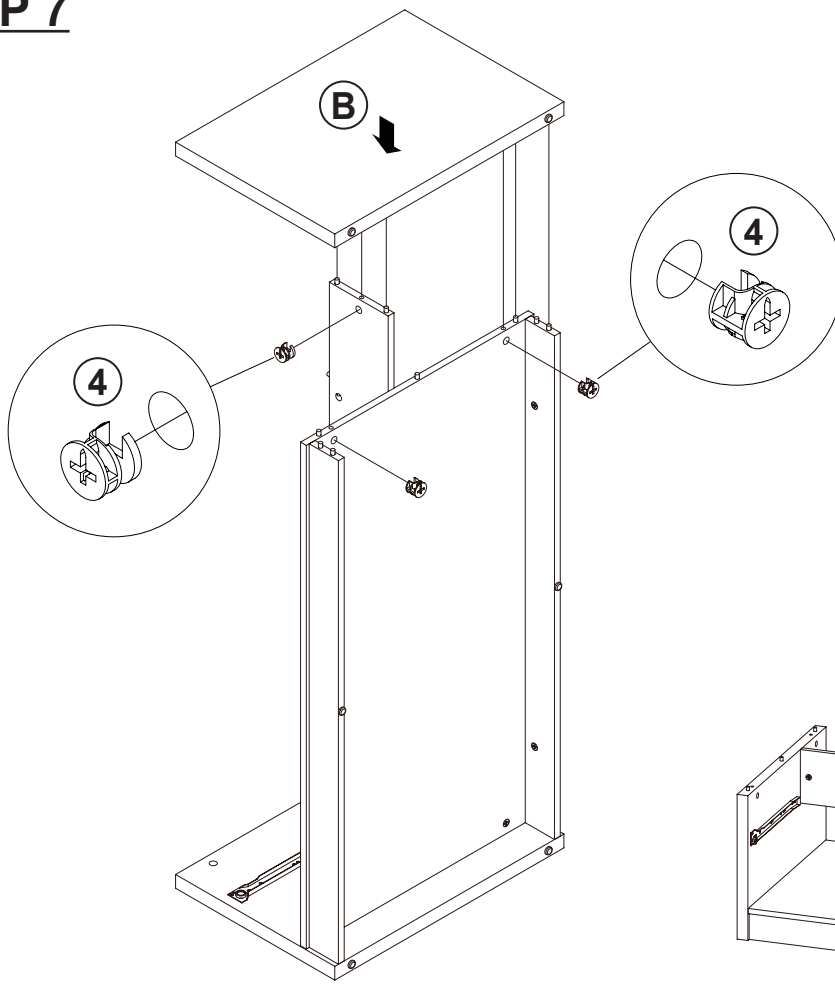
FINE FURNITURE

STEP 6



Apply glue on all wooden dowels to ensure integrity of the structure.

STEP 7

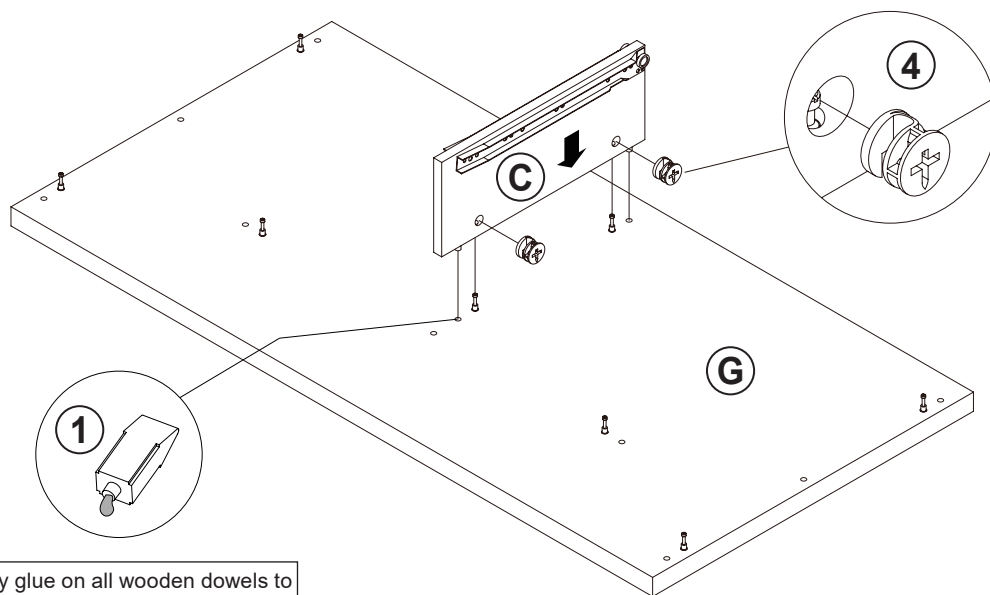
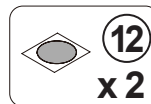


ITEM: 707728

COASTER[®]

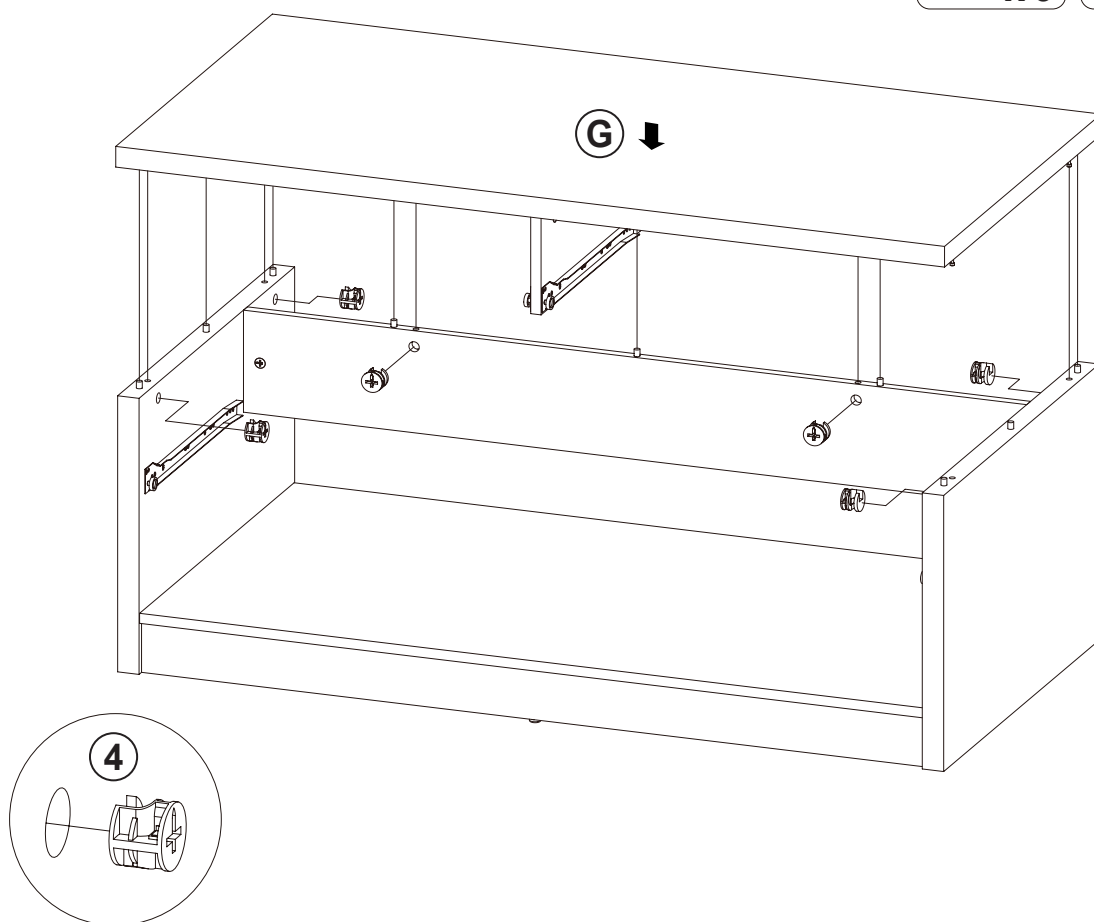
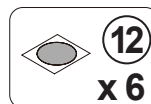
FINE FURNITURE

STEP 8



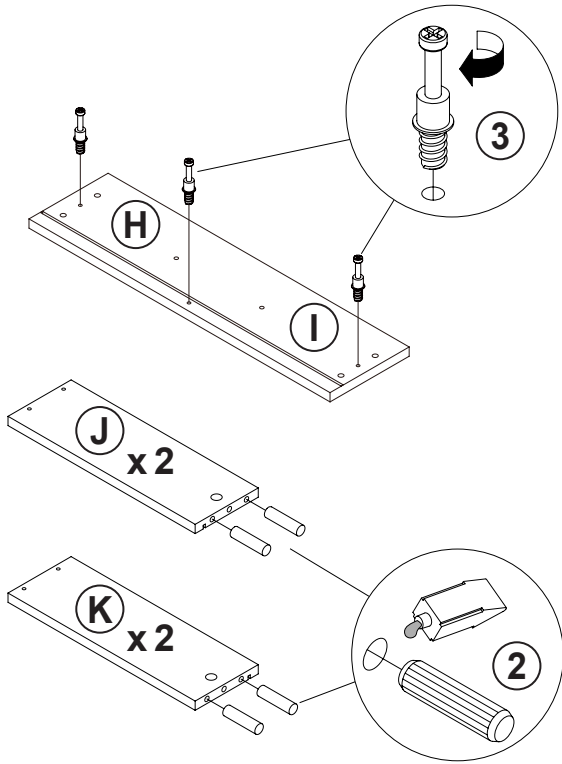
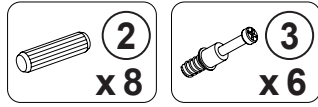
Apply glue on all wooden dowels to ensure integrity of the structure.

STEP 9

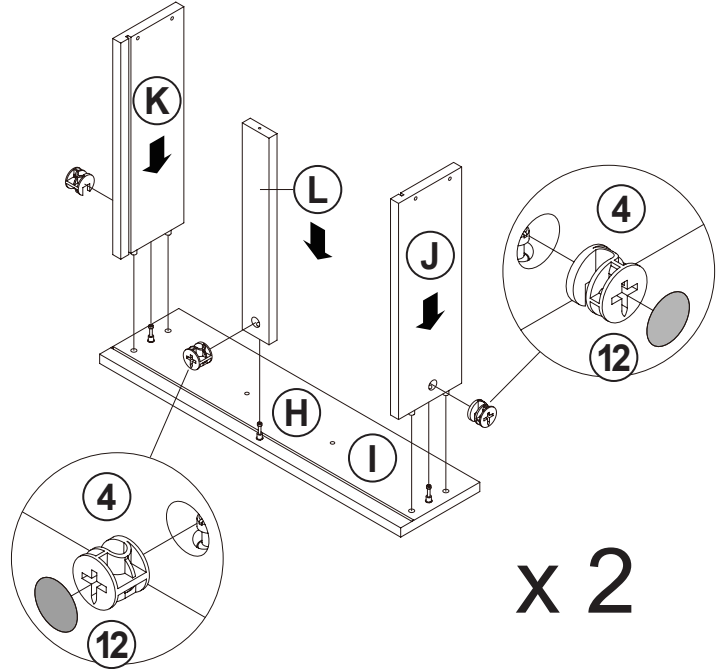
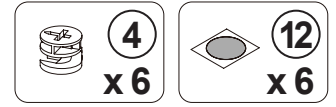


ITEM: 707728

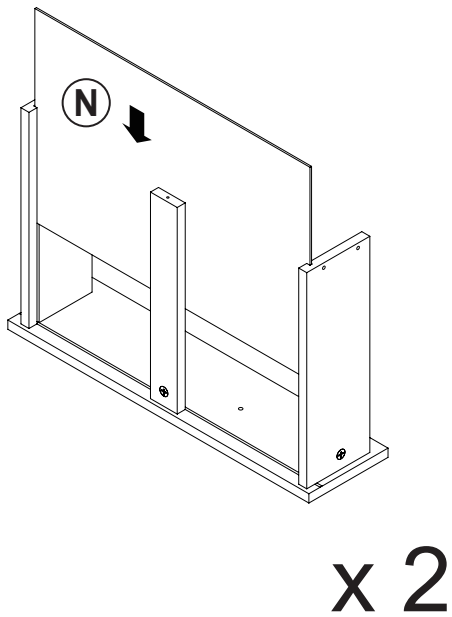
STEP 10



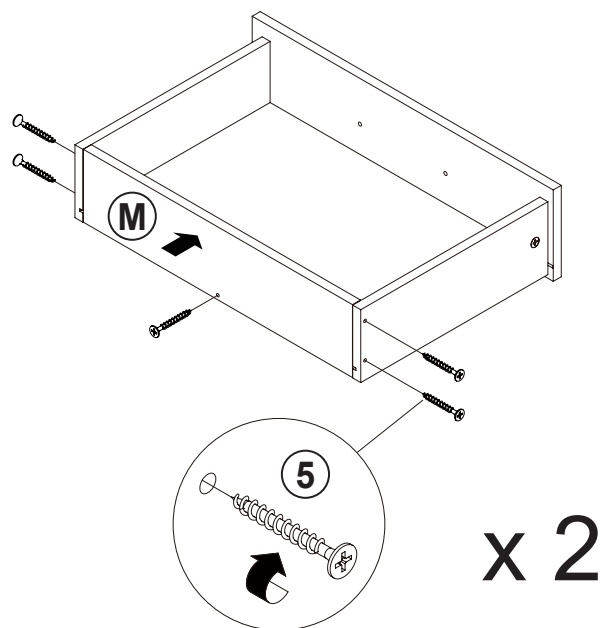
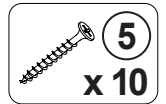
STEP 11



STEP 12

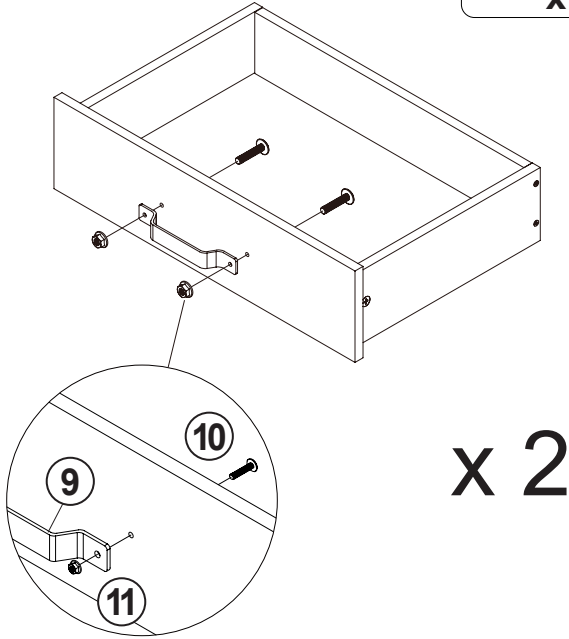
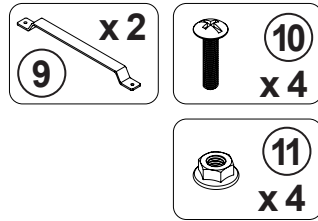


STEP 13

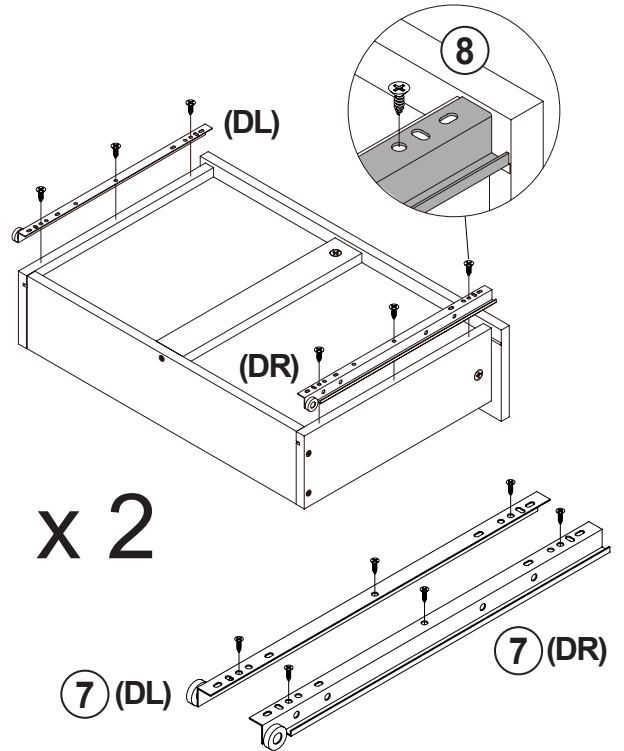
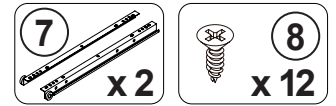


ITEM: 707728

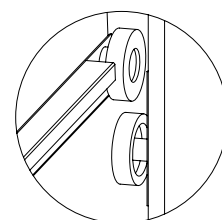
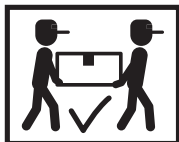
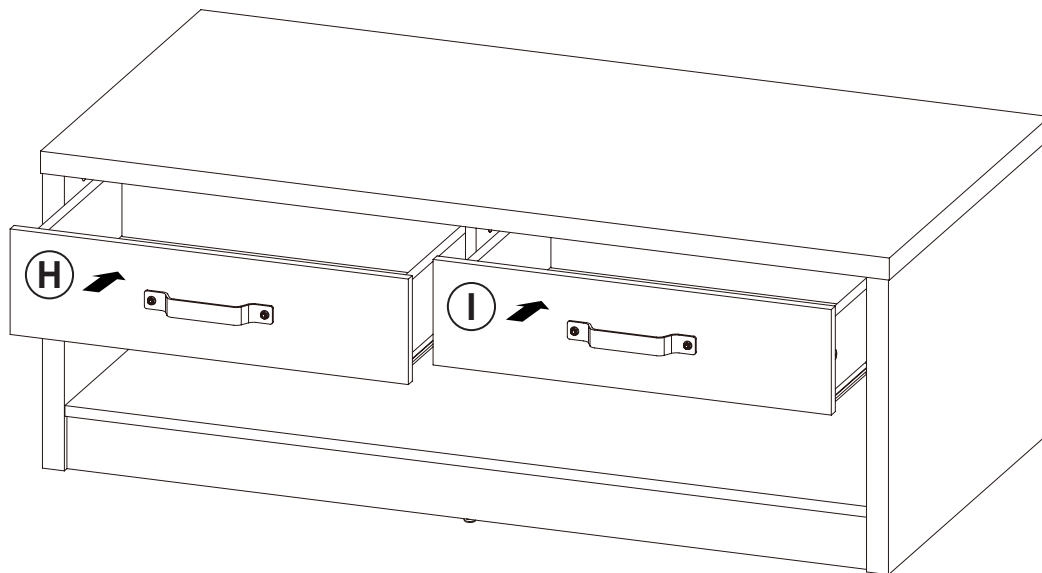
STEP 14



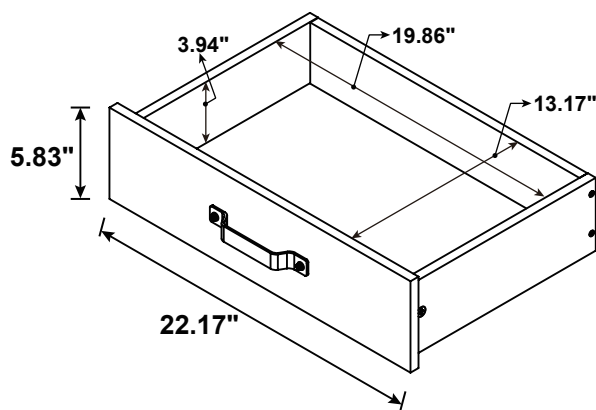
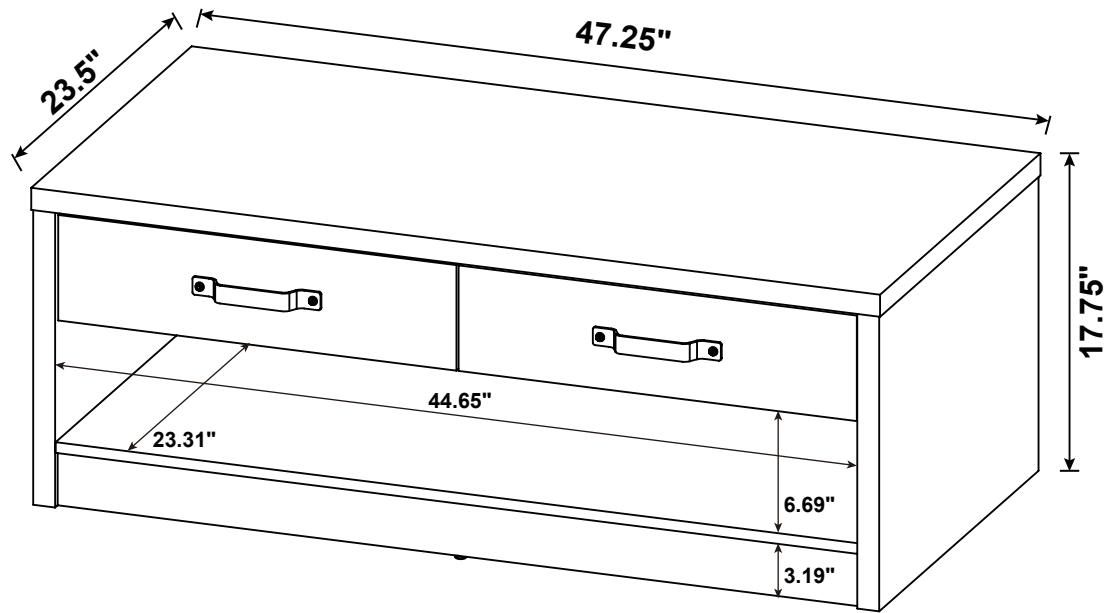
STEP 15



STEP 16



ITEM:707728



Note : Dimension tolerance $\pm 5\%$