

ASSEMBLY INSTRUCTIONS
COASTER FINE FURNITURE



Fine Furniture for every stage of life

801923
BOOKCASE

ITEM:801923



ASSEMBLY INSTRUCTIONS

ASSEMBLY TIPS:

1. Remove hardware from box and sort by size.
2. Please check to see that all hardware and parts are present prior to start of assembly.
3. Please follow attached instructions in the same sequence as numbered to assure fast & easy assembly.



WARNING!

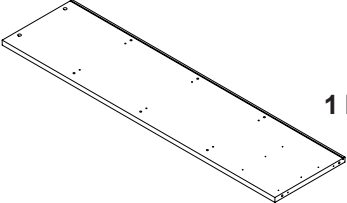
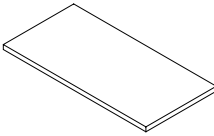
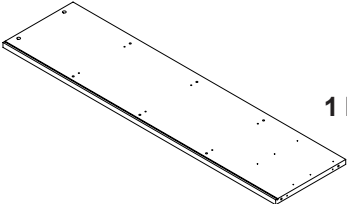
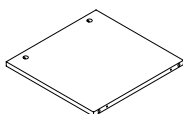
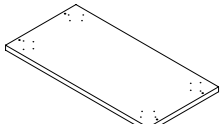
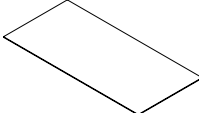
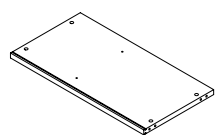
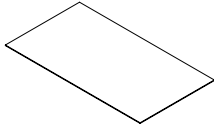
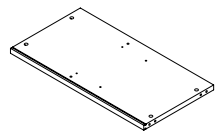
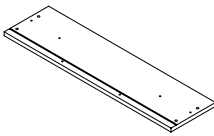
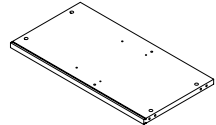
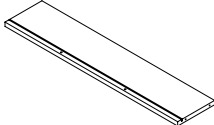
1. Don't attempt to repair or modify parts that are broken or defective. Please contact the store immediately.
2. This product is for home use only and not intended for commercial establishments.



ASSEMBLY TIME

60 MINUTES


PARTS IDENTIFICATION

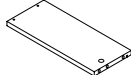
A	LEFT SIDE PANEL		1 PC	G	TOP PANEL		1 PC
B	RIGHT SIDE PANEL		1 PC	H	DIVIDER PANEL		3 PCS
C	BOTTOM PANEL		1 PC	I	UPPER BACK PANEL		3 PCS
D	LOWER CROSS PANEL		1 PC	J	LOWER BACK PANEL		1 PC
E	MIDDLE CROSS PANEL		1 PC	K	DRAWER FRONT PANEL		2 PCS
F	UPPER CROSS PANEL		1 PC	L	DRAWER BACK PANEL		2 PCS

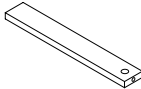
NOTE:

Phillips head screw driver is required in the assembly process; however, manufacturer does not provide this item.

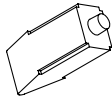

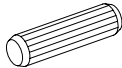

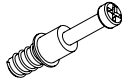
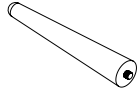

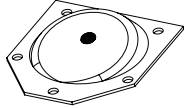




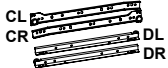


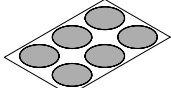
M DRAWER LEFT SIDE PANEL  2 PCS

O DRAWER BOTTOM PANEL  2 PCS

N DRAWER RIGHT SIDE PANEL  2 PCS

P DRAWER BOTTOM SUPPORT  4 PCS

HARDWARE IDENTIFICATION

Z							
NO	DESCRIPTION	FIGURE	Q'TY	NO	DESCRIPTION	FIGURE	Q'TY
1	GLUE 40g		1 PC	9	HANDLE		4 PCS
2	WOODEN DOWEL ø8x30mm		40 PCS	10	HANDLE BOLT Ø4x25mm BLK		4 PCS
3	CAM BOLT ø7x35.5mm SR		30 PCS	11	LEG		4 PCS
4	CAM LOCK ø15x12mm SR		30 PCS	12	SPACER SR		4 PCS
5	SCREW Ø4.5x42mm SR		10 PCS	13	SCREW Ø4x15mm SR		16 PCS
6	SCREW Ø4.3x35mm SR		12 PCS	14	FIXER		6 PCS
7	RAIL L = 350mm BLK		2 SET	15	FIXER SCREW ø3x19mm SR		6 PCS
8	SCREW Ø3x12mm BLK		24 PCS	16	STICKER ø20mm		5 PCS

Z7,Z11 not included in blister packaging.

NOTE:

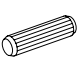
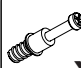
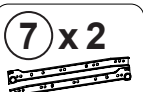
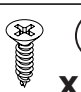
Phillips head screw driver is required in the assembly process; however, manufacturer does not provide this item.

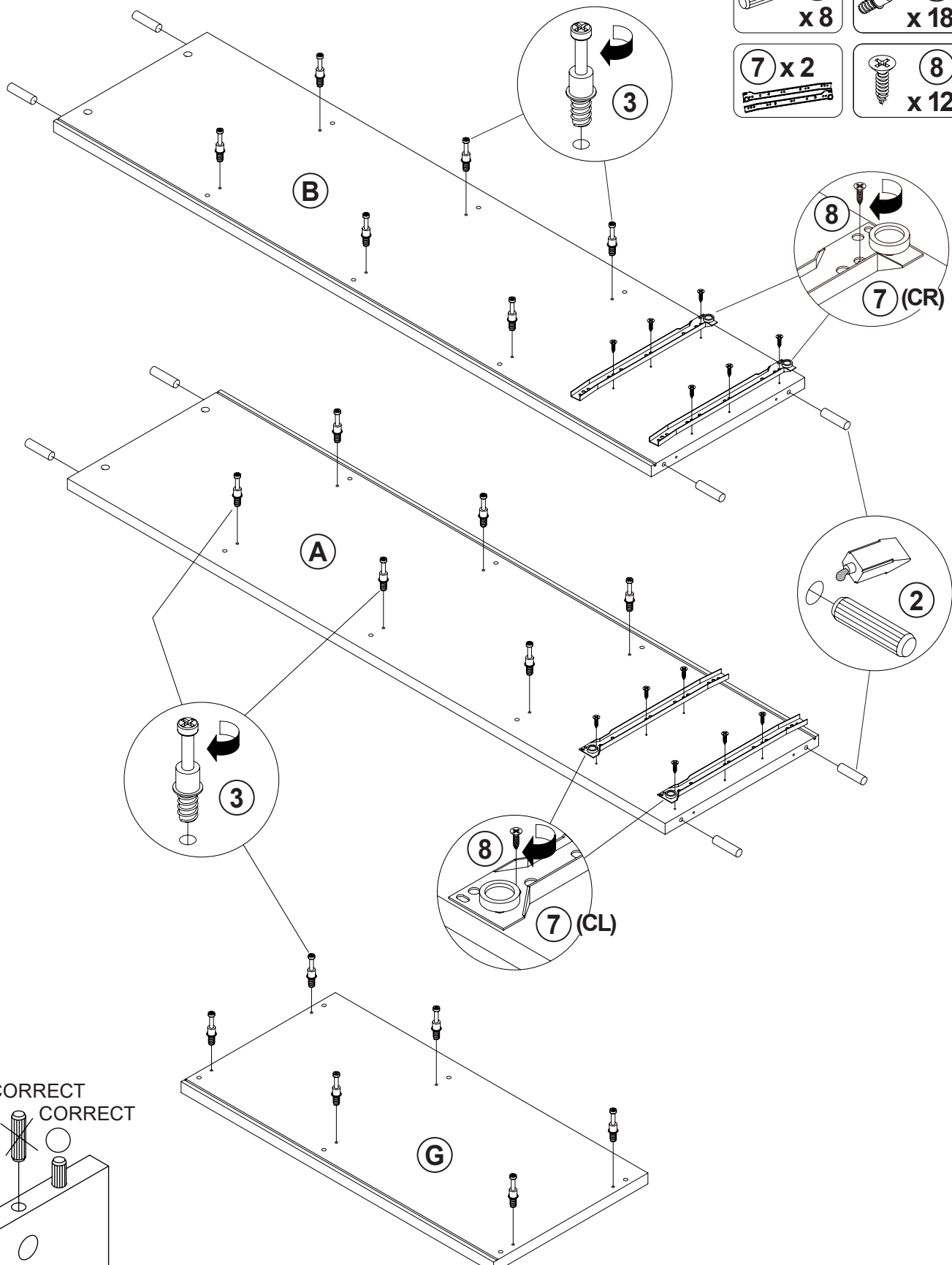
ITEM: 801923

COASTER[®]

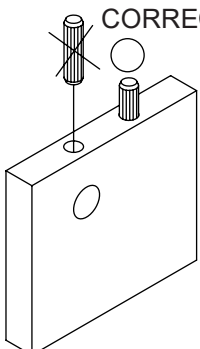
FINE FURNITURE

STEP 1

- | | |
|-----------------------------------------------------------------------------------------------------|------------------------------------------------------------------------------------------------------|
|  2
x 8 |  3
x 18 |
|  7 x 2 |  8
x 12 |



INCORRECT
CORRECT



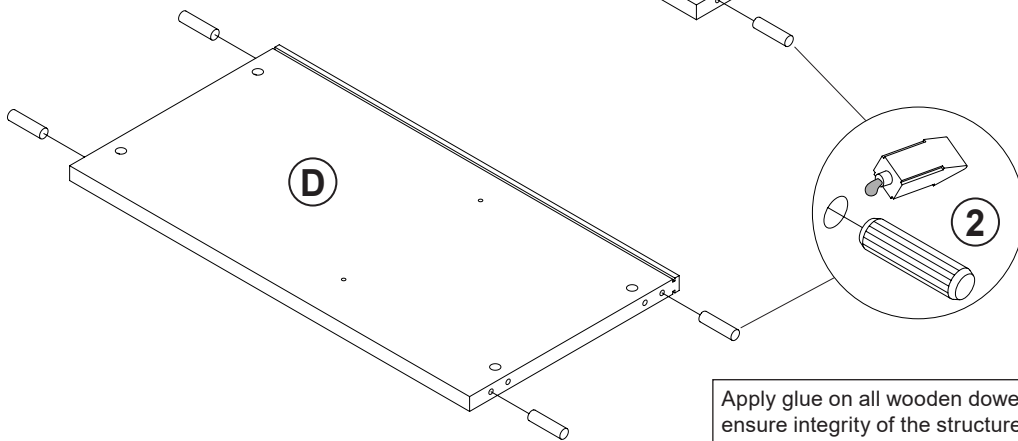
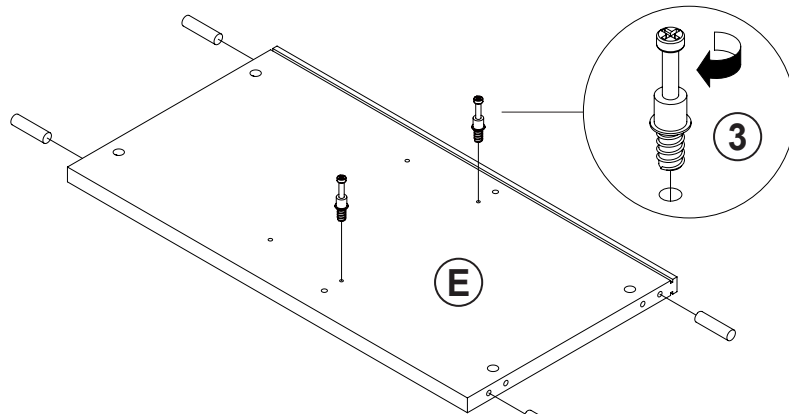
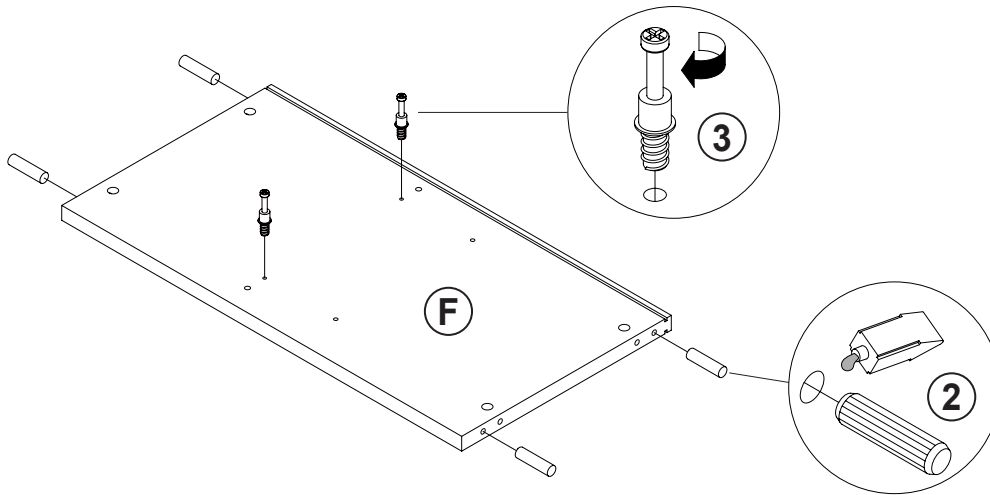
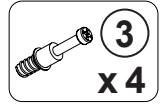
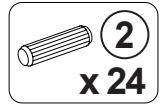
Apply glue on all wooden dowels to ensure integrity of the structure.

ITEM: 801923

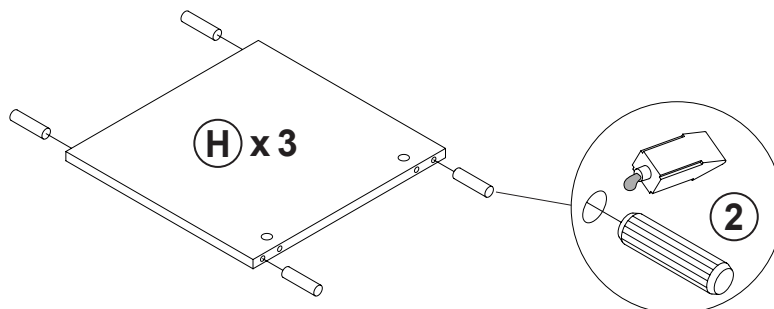
COASTER[®]

FINE FURNITURE

STEP 2



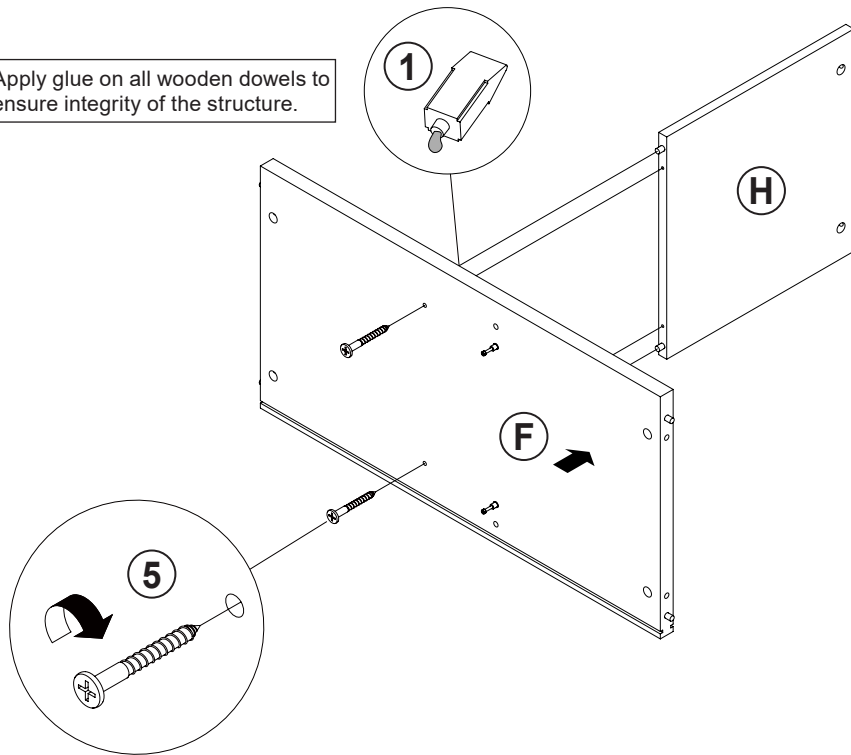
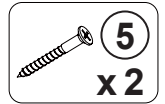
Apply glue on all wooden dowels to ensure integrity of the structure.



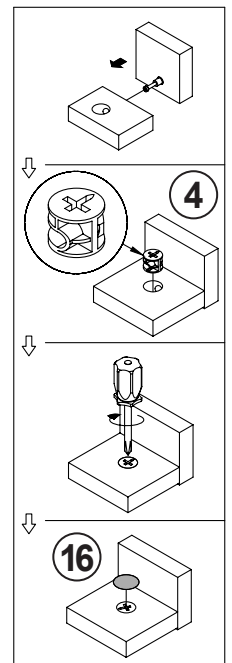
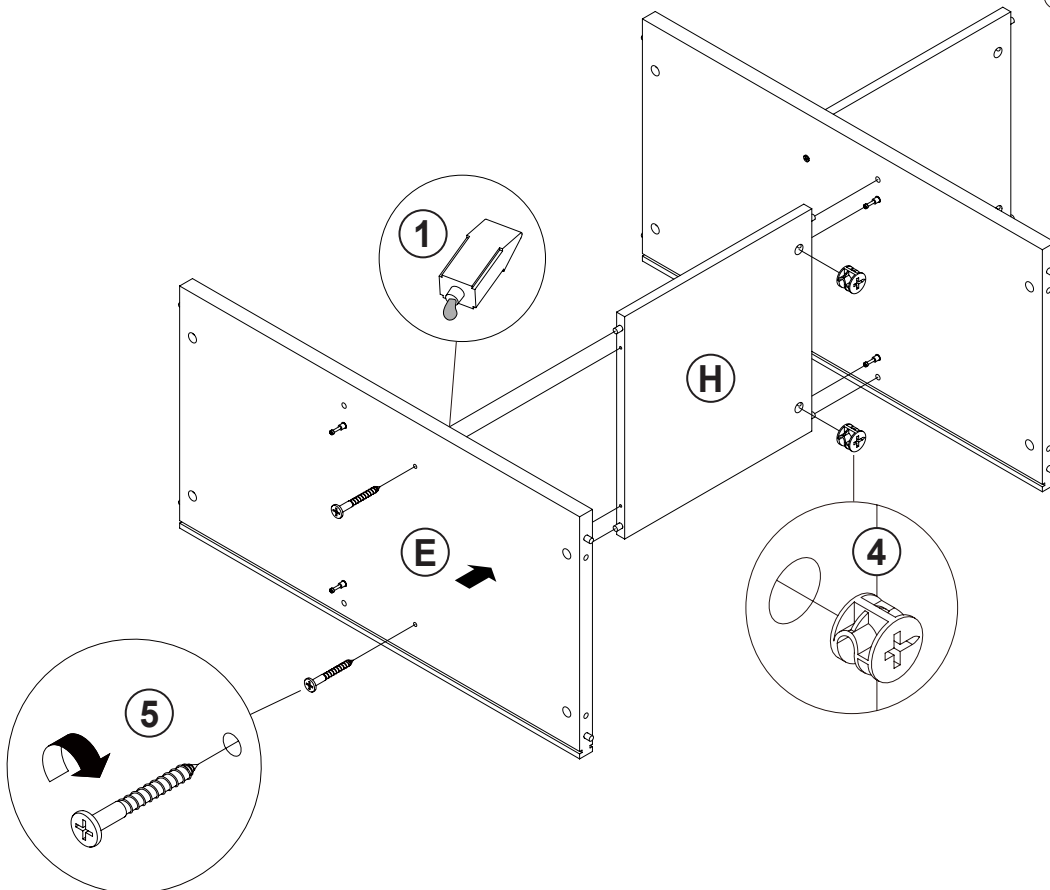
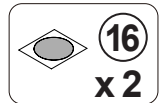
ITEM: 801923

STEP 3

Apply glue on all wooden dowels to ensure integrity of the structure.



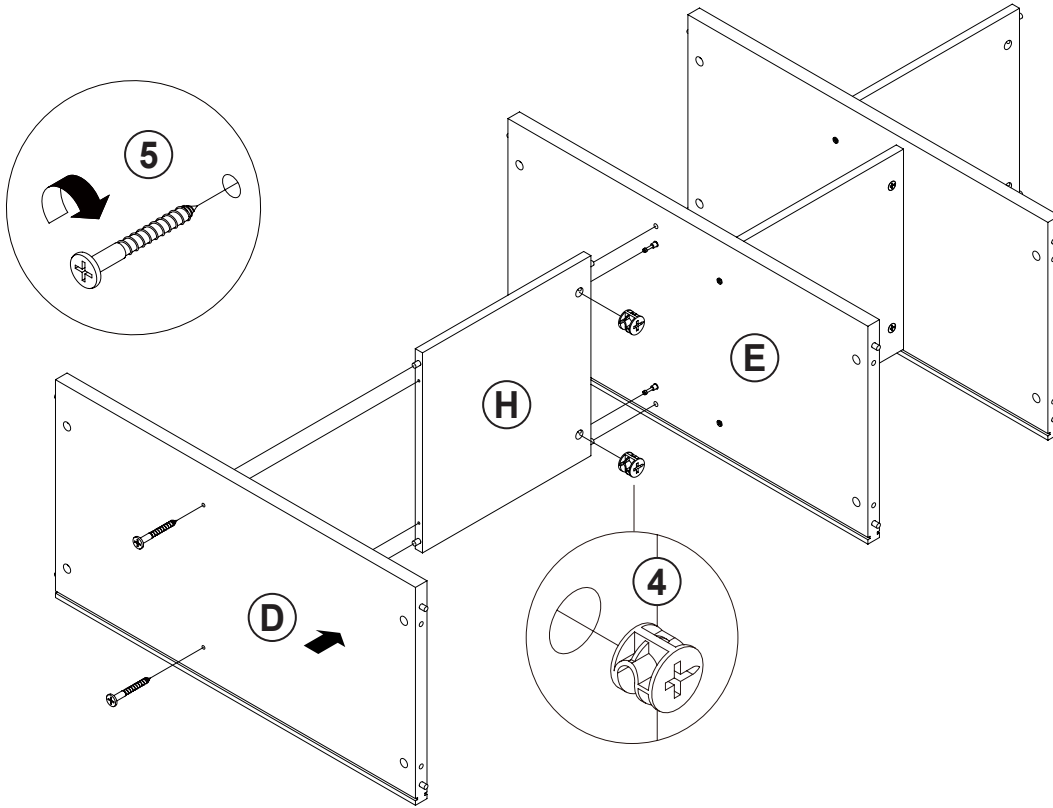
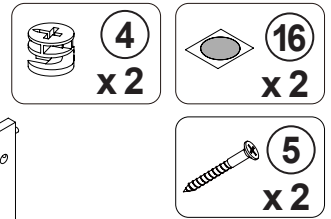
STEP 4



ITEM: 801923

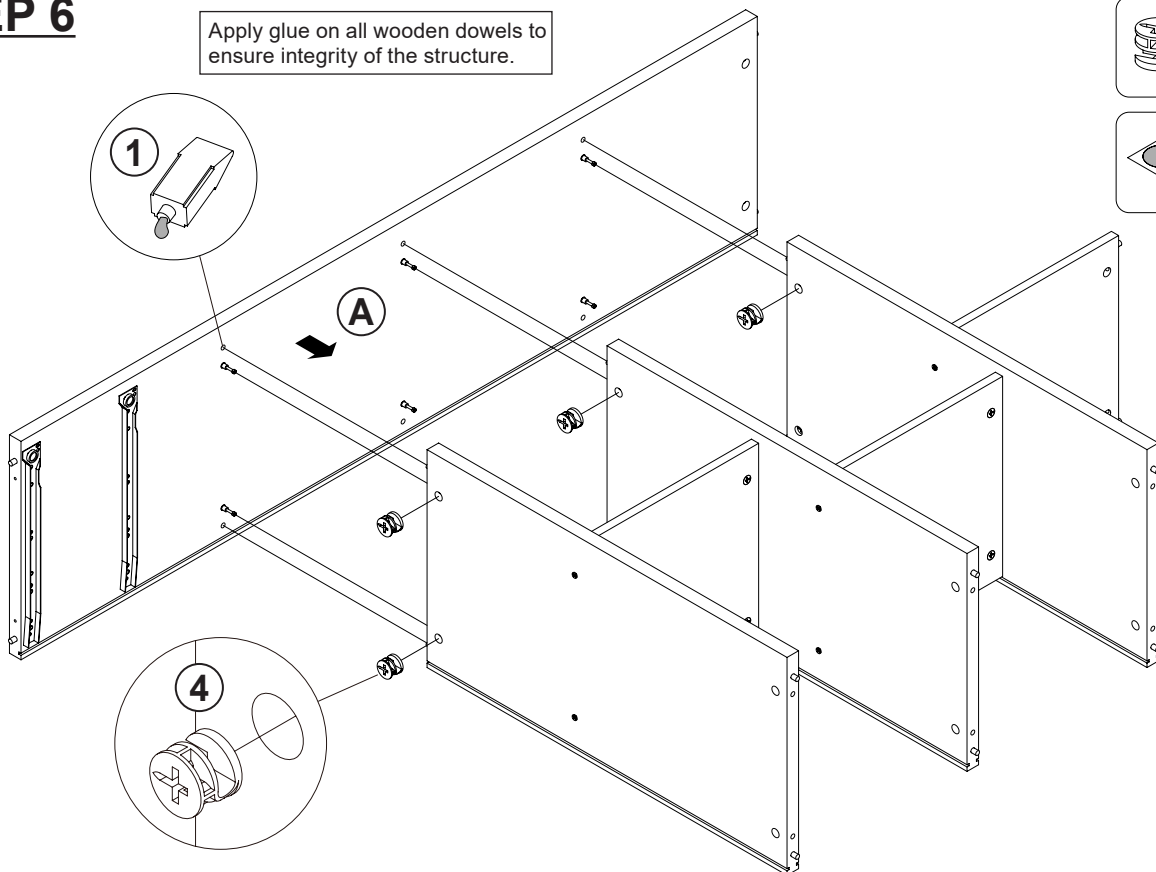
COASTER
FINE FURNITURE

STEP 5

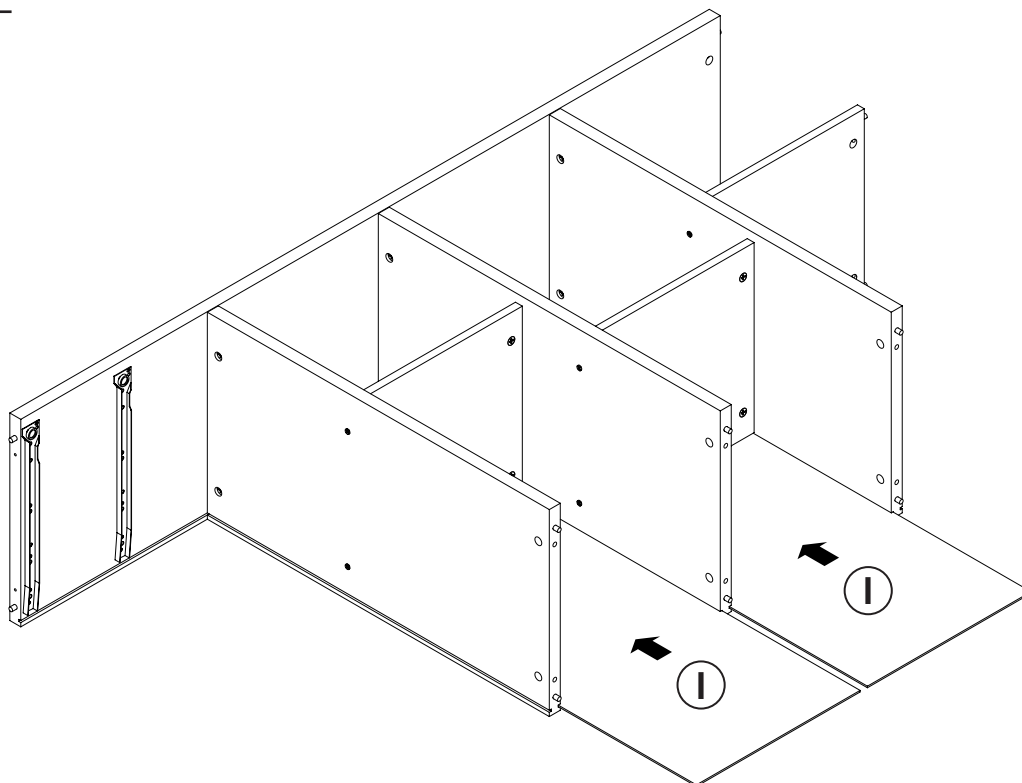


STEP 6

Apply glue on all wooden dowels to ensure integrity of the structure.

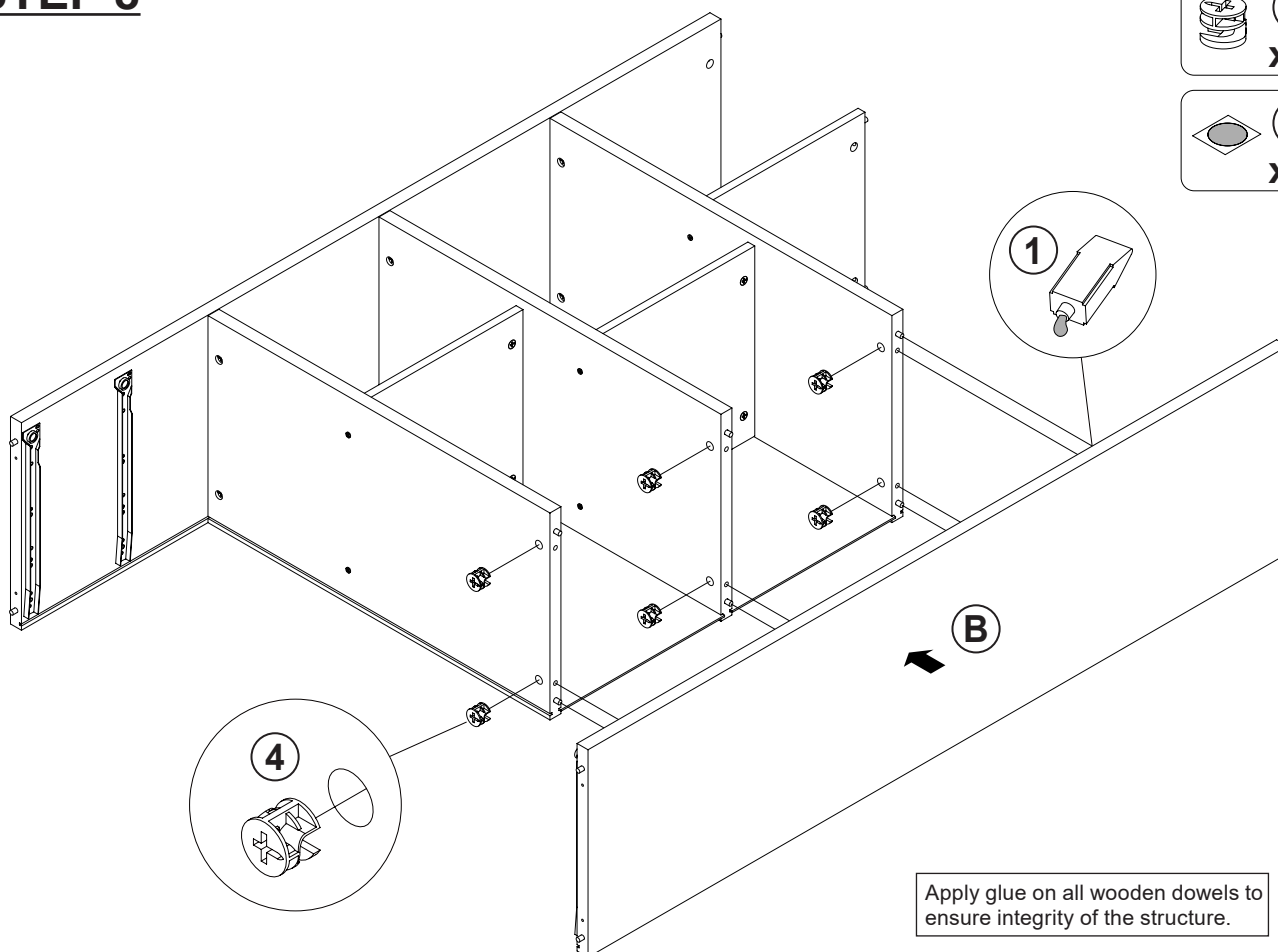


STEP 7



STEP 8

-  **4**
x 6
-  **16**
x 6



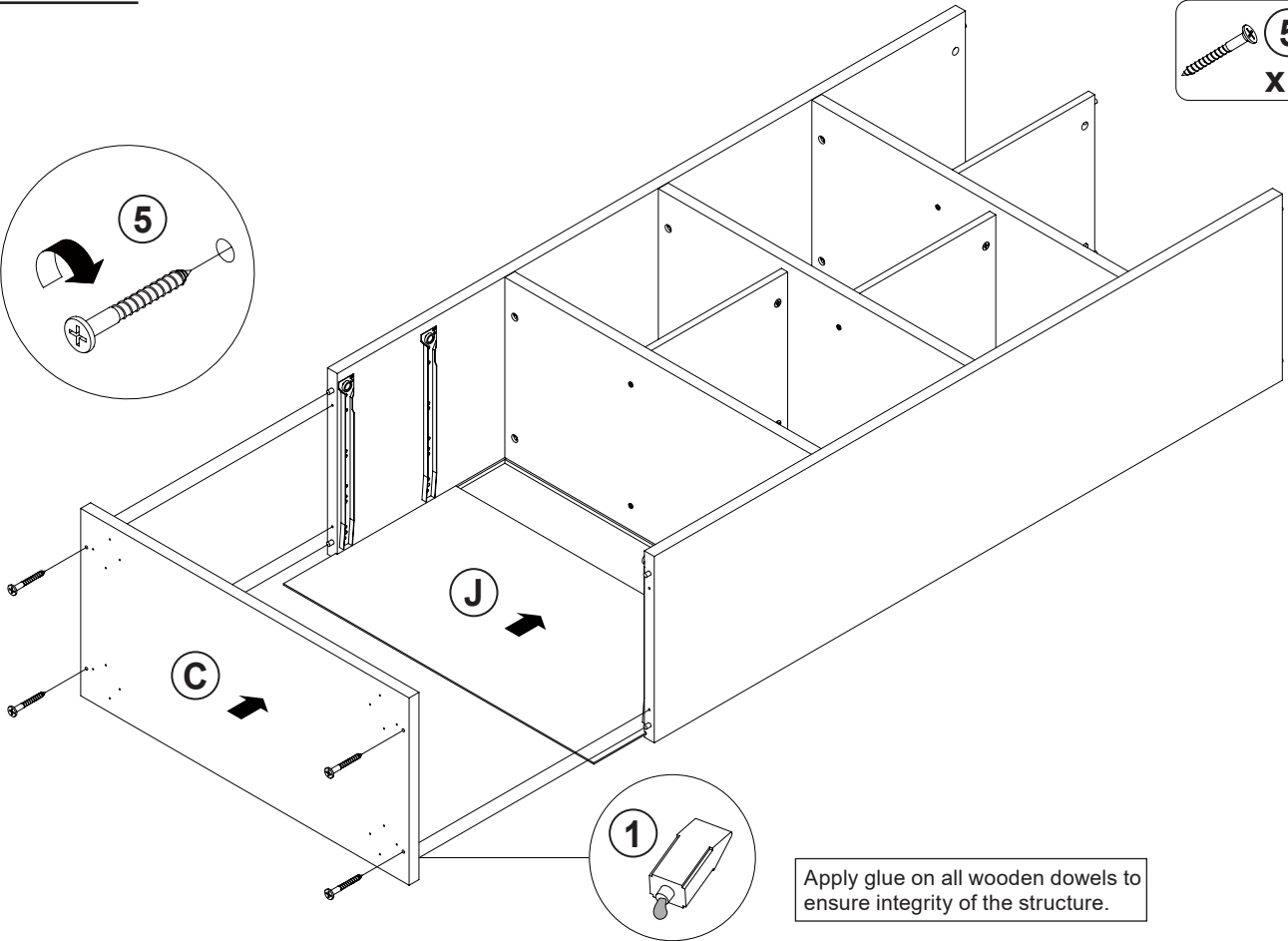
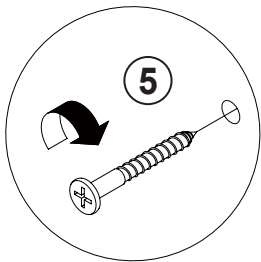
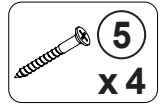
Apply glue on all wooden dowels to ensure integrity of the structure.

ITEM: **801923**

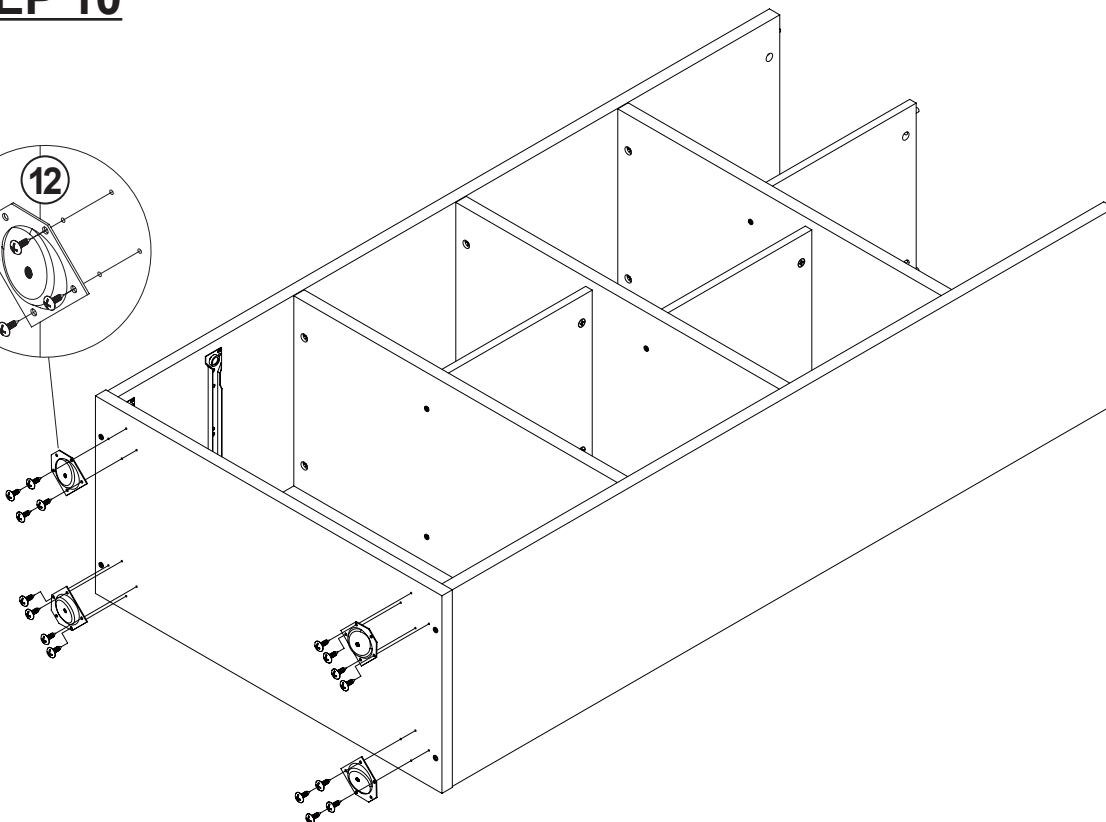
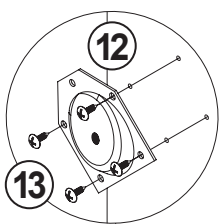
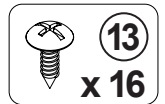
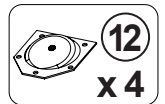
COASTER[®]

FINE FURNITURE

STEP 9



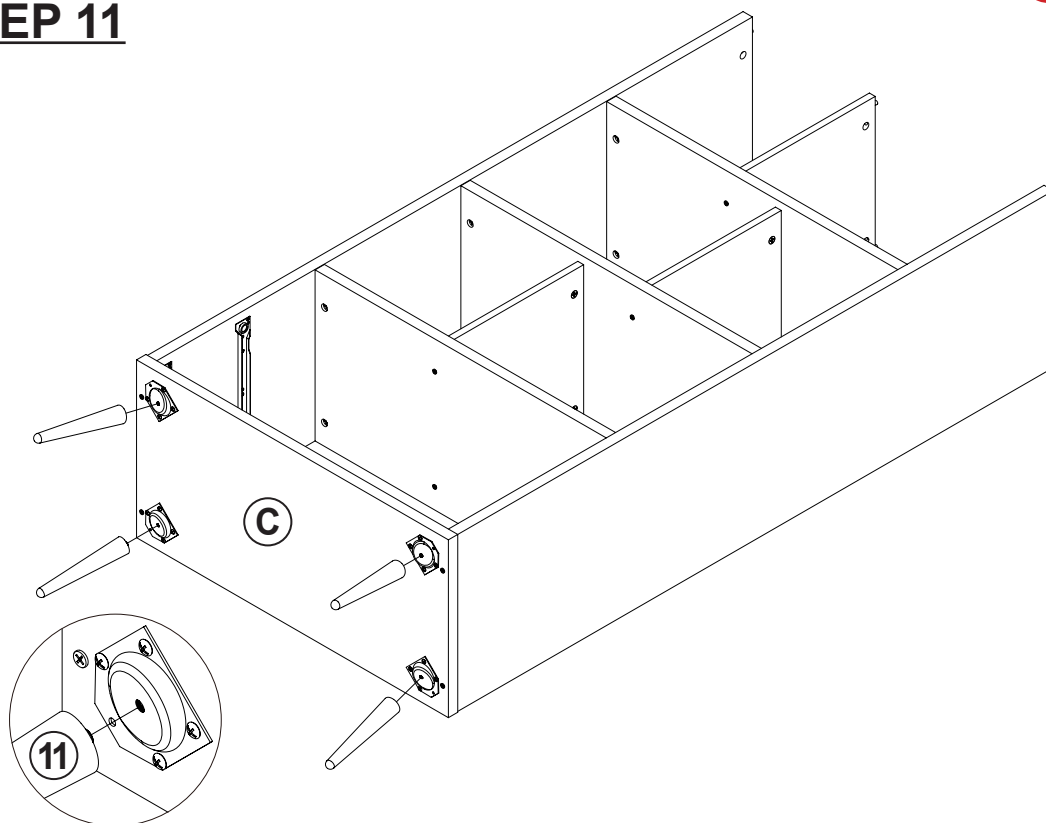
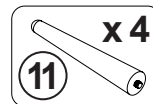
STEP 10



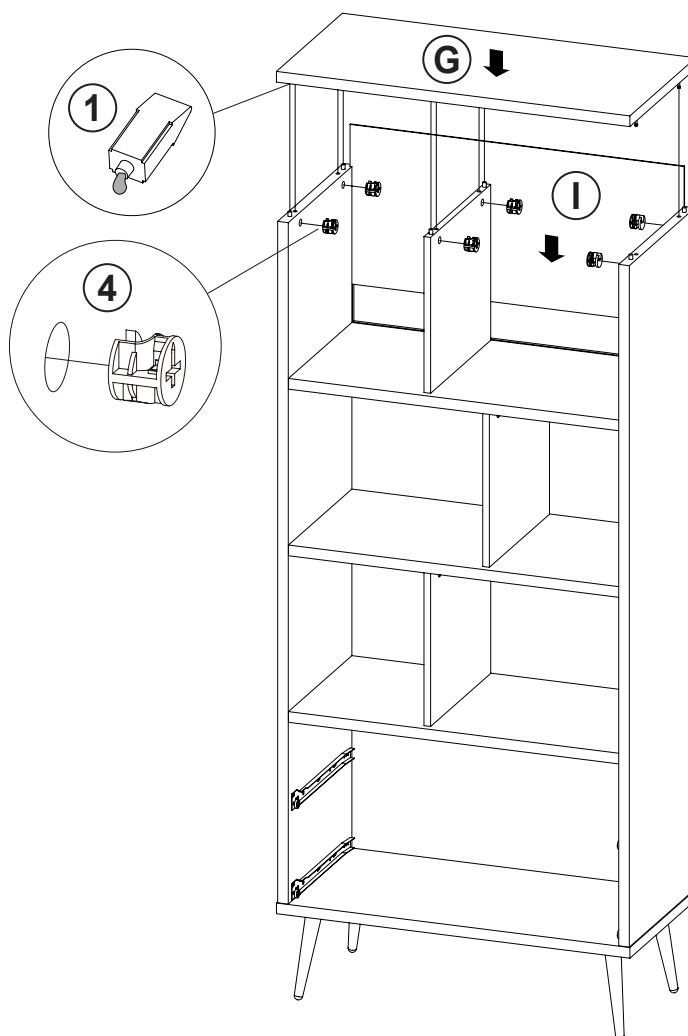
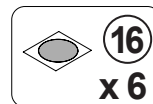
ITEM: 801923

STEP 11

COASTER
FINE FURNITURE

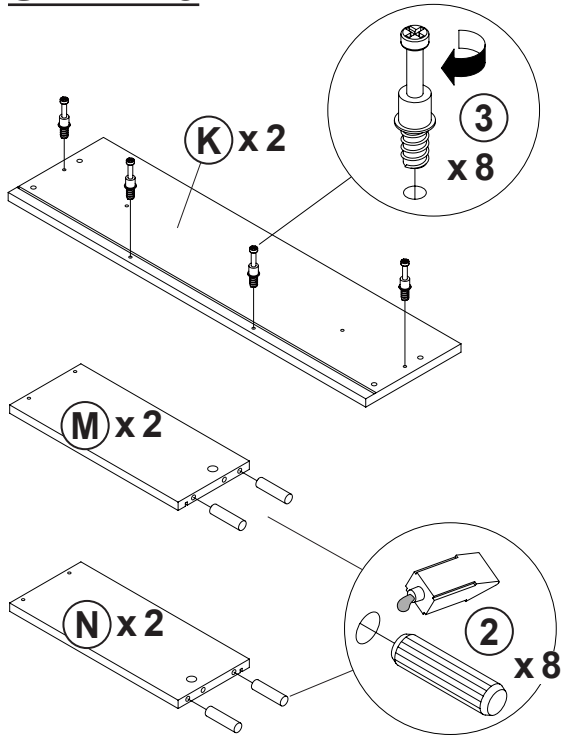


STEP 12

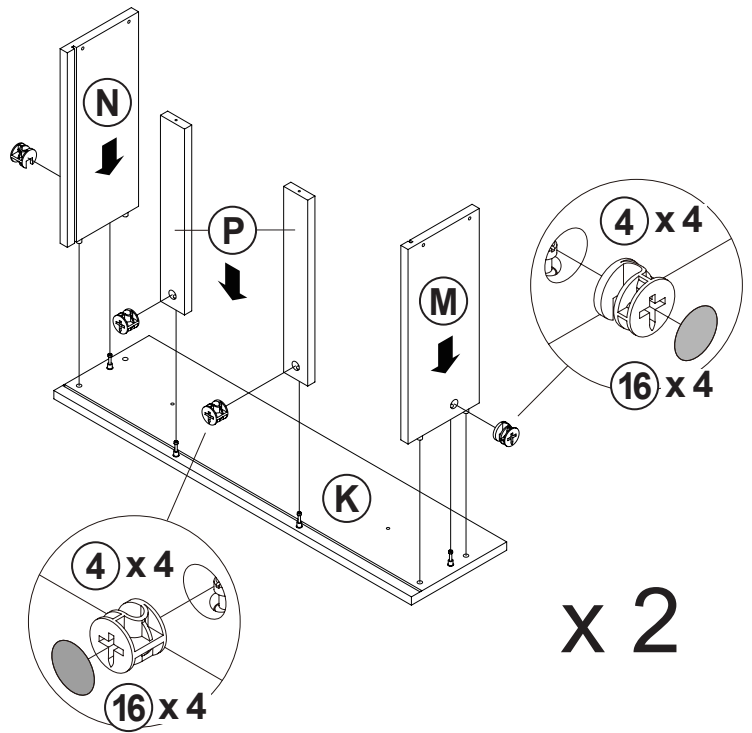


ITEM: 801923

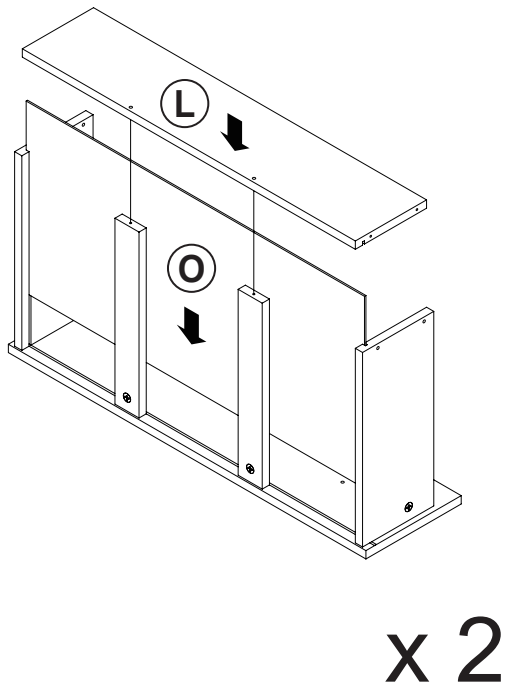
STEP 13



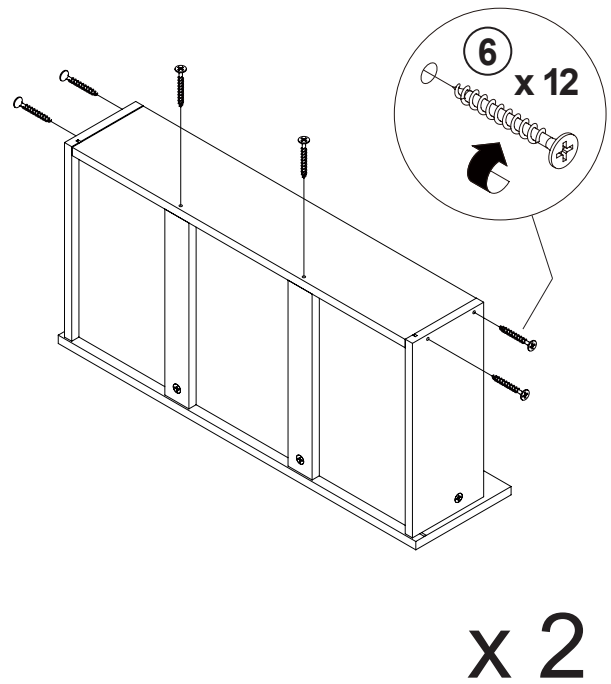
STEP 14



STEP 15

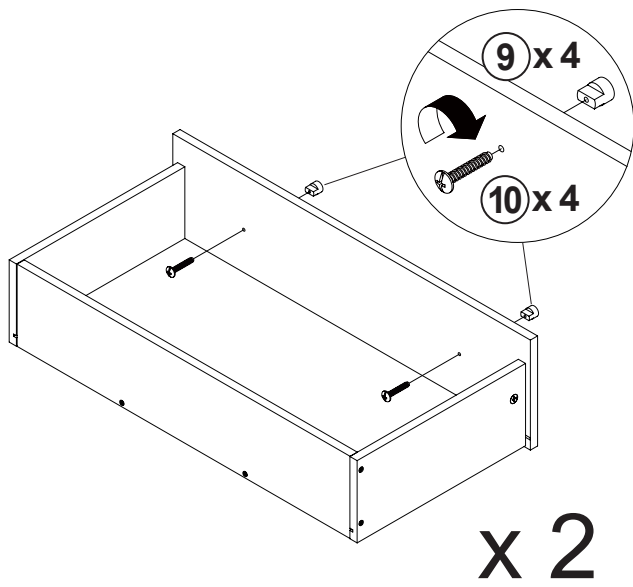


STEP 16

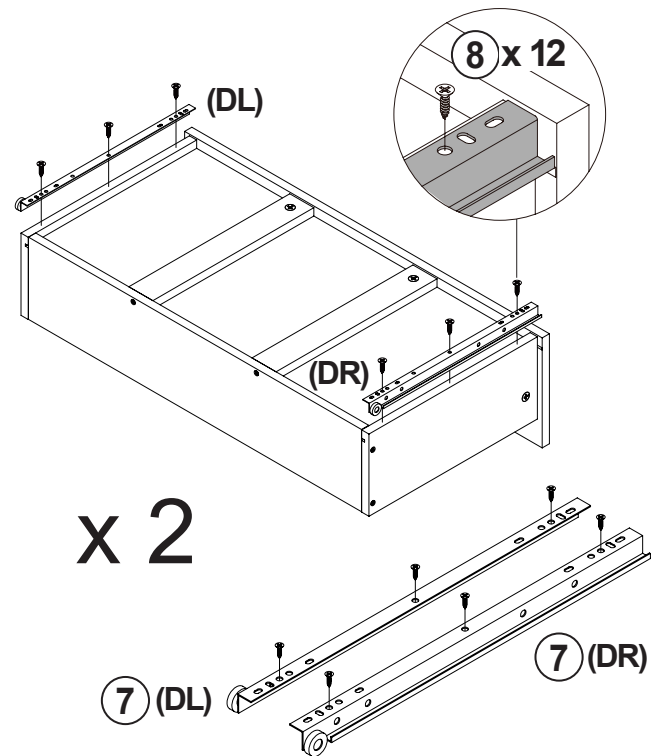


ITEM: **801923**

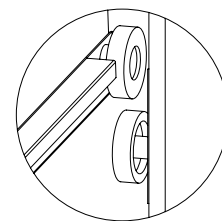
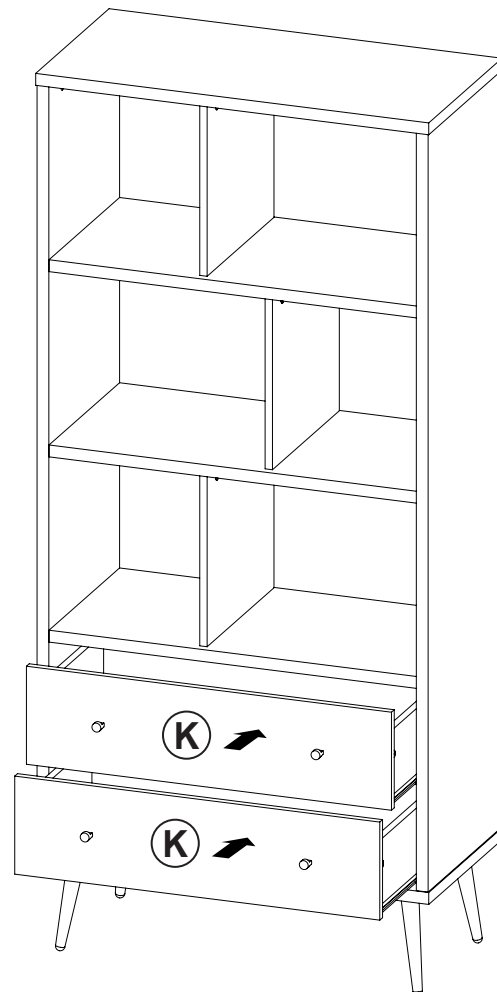
STEP 17



STEP 18



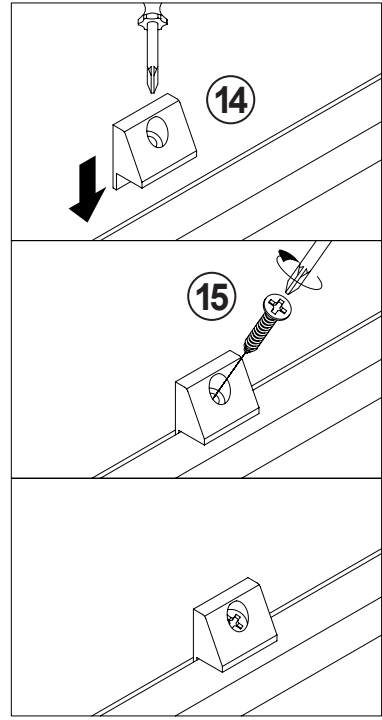
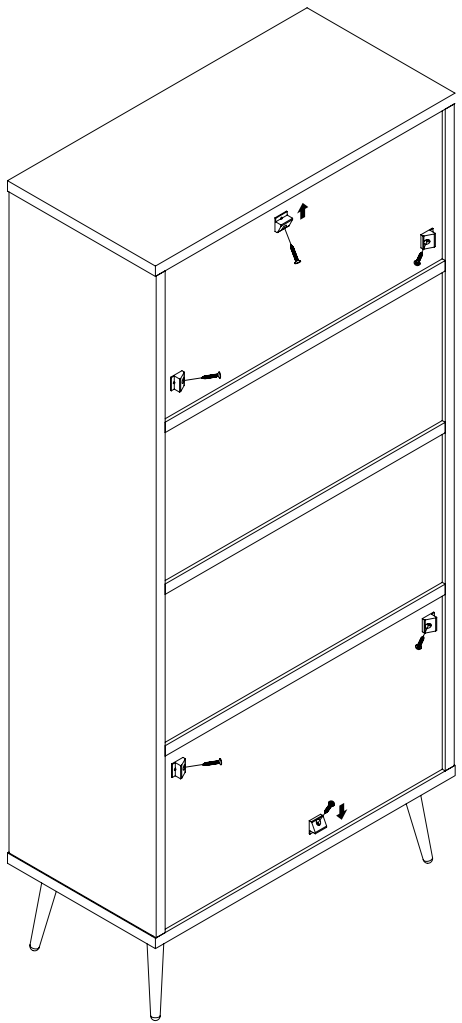
STEP 19



ITEM: **801923**

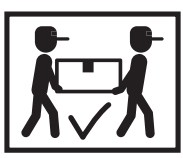
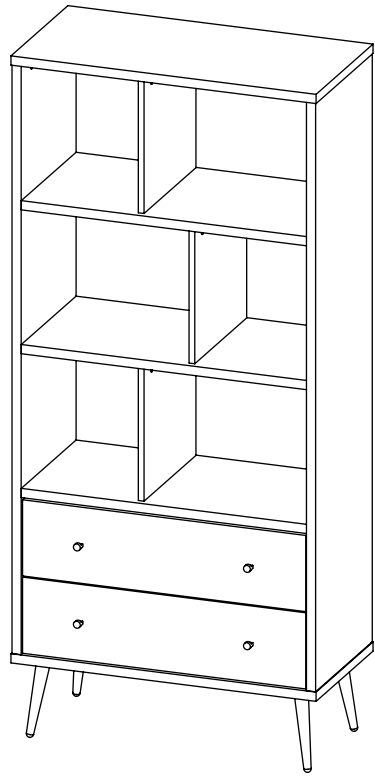
COASTER
FINE FURNITURE

STEP 20

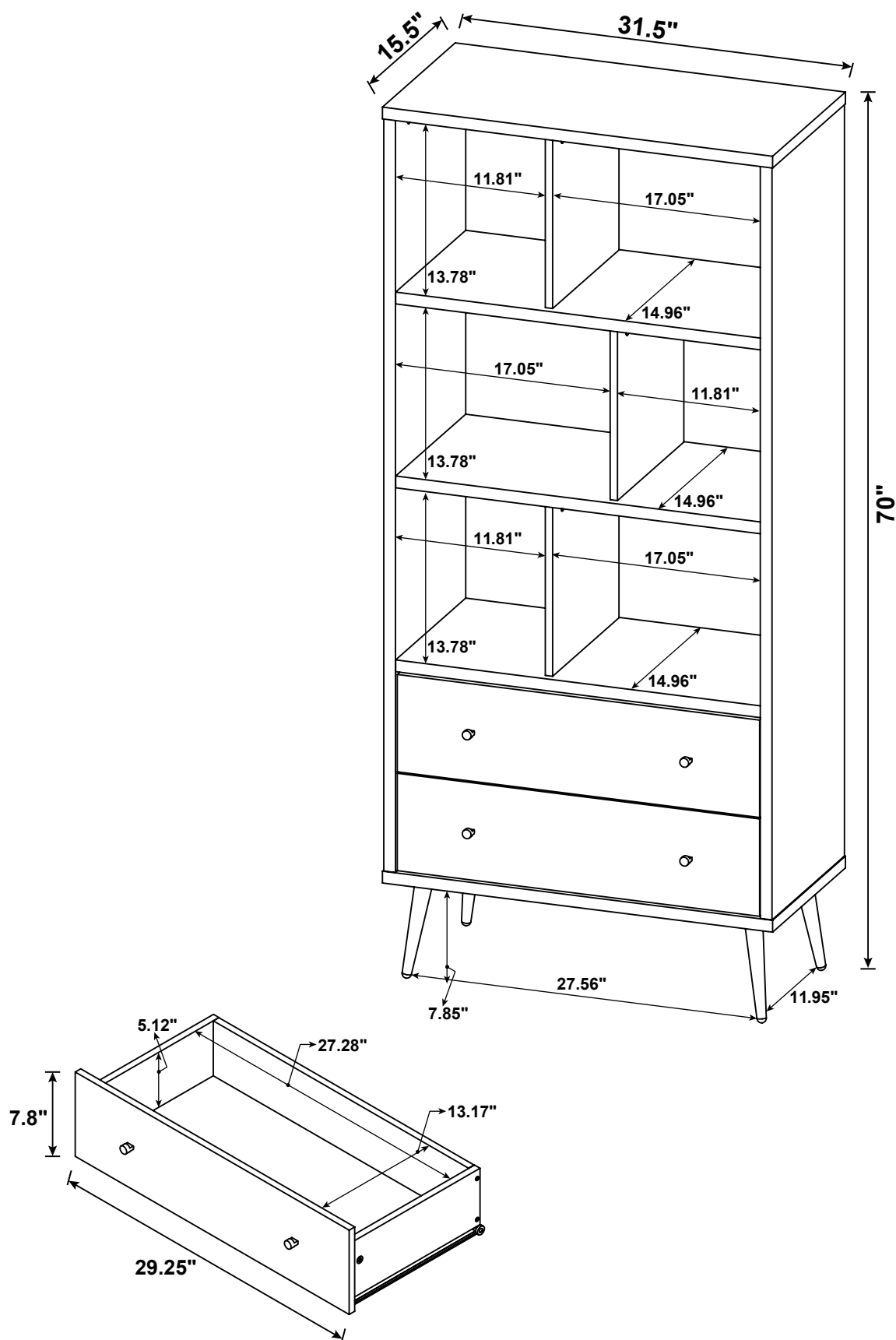


STEP 21

COMPLETE



ITEM: 801923



Note : Dimension tolerance $\pm 5\%$

ANTI-TIPPING INSTALLMENT INSTRUCTIONS

FURNITURE TIPPING RESTRAINT

WARNING

Injury may result from tipping furniture.
This restraint may protect against tipping furniture.
Do not allow children to climb on furniture.
This restraint is not a substitute for proper adult supervision.
Failure to detach this restraint before moving the furniture
may result in injury and damage.

1. To attach the anti-tip strap, securely mount one end to the top of the case piece with the 5/8" screw.
2. Position the case piece against the wall in the desired location.
3. Pull the anti-tip strap taut and mark the position of where you will secure the other end on the wall.
4. Drill a 1-1/4" hole in the spot you marked.
5. Tap in plastic wall plug.
6. Fasten anti-tip strap with wall screw provided.

(Please install the anti-tipping kit in the middle of the case piece if only have one set of anti-tipping kit.)

