

ASSEMBLY INSTRUCTIONS
COASTER FINE FURNITURE



Fine Furniture for every stage of life

901081
5Pc Tray Table Set

REVISION 0 : 06/17/2013
REVISION 1 : 11/19/2018
REVISION 2 : 08/26/2019

ASSEMBLY INSTRUCTIONS

ASSEMBLY TIPS:

1. Remove hardware from box and sort by size.
2. Please check to see that all hardware and parts are present prior to start of assembly.
3. Please follow attached instructions in the same sequence as numbered to assure fast & easy assembly.



WARNING!





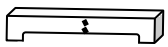

1. Don't attempt to repair or modify parts that are broken or defective. Please contact the store immediately.
2. This product is for home use only and not intended for commercial establishments.






ASSEMBLY TIME

5 MINUTES

PARTS IDENTIFICATION

AV	POST		2PCS
BV	HANGER BAR		2PCS
CV	HANDLE		1PC
DV	CROSSBAR		1PC
EV	LEG		2PCS
FV	TRAY TABLE		4PCS

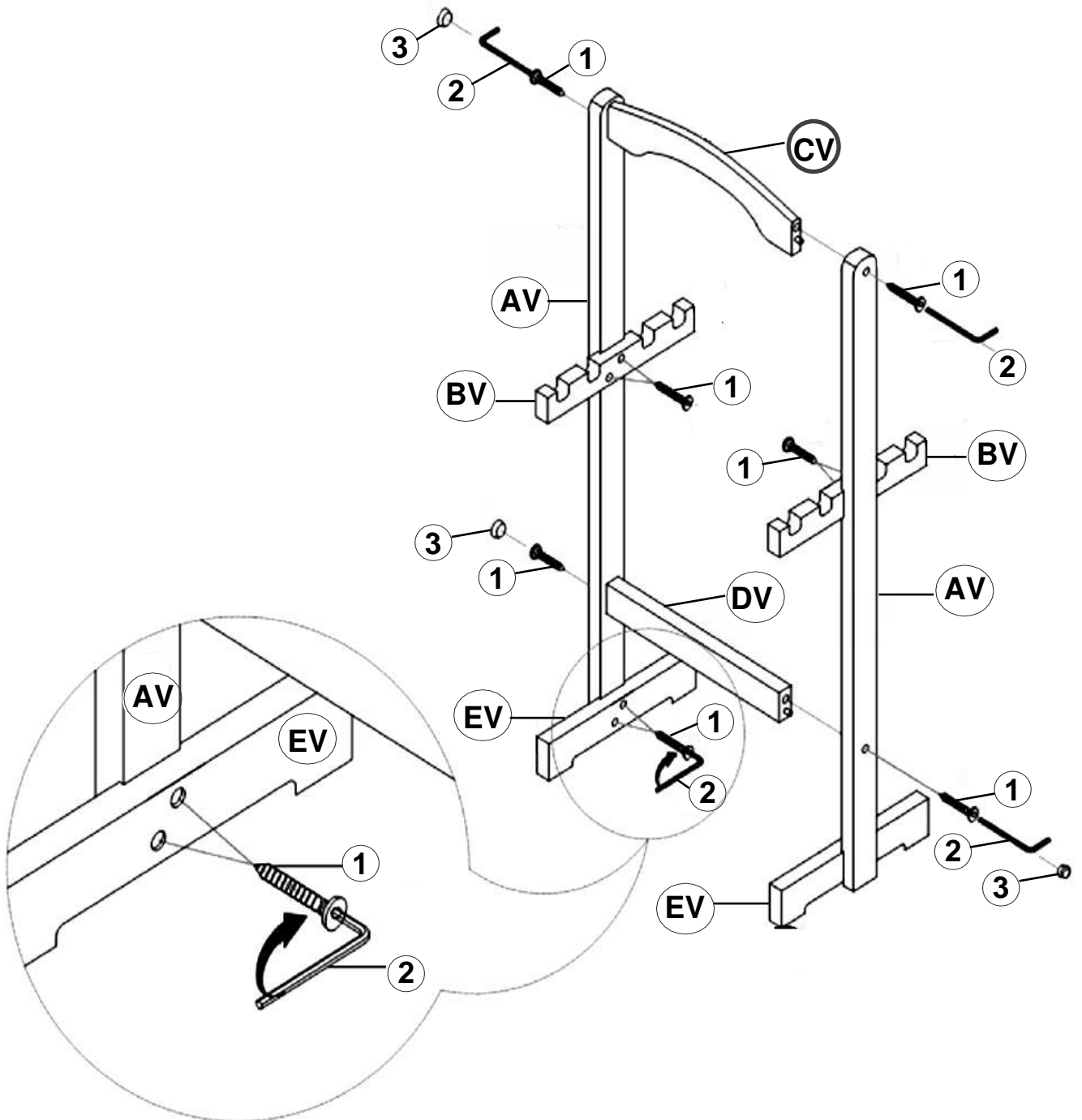
HARDWARE IDENTIFICATION

1	HEX HEAD SCREW (Ø1/4" x 30mm - GD)		12PCS
2	ALLEN WRENCH (4MM - GD)		1PC
3	WOOD PLUG (Ø13mm)		4PCS

ITEM: **901081**



ASSEMBLY INSTRUCTIONS
STEP 1



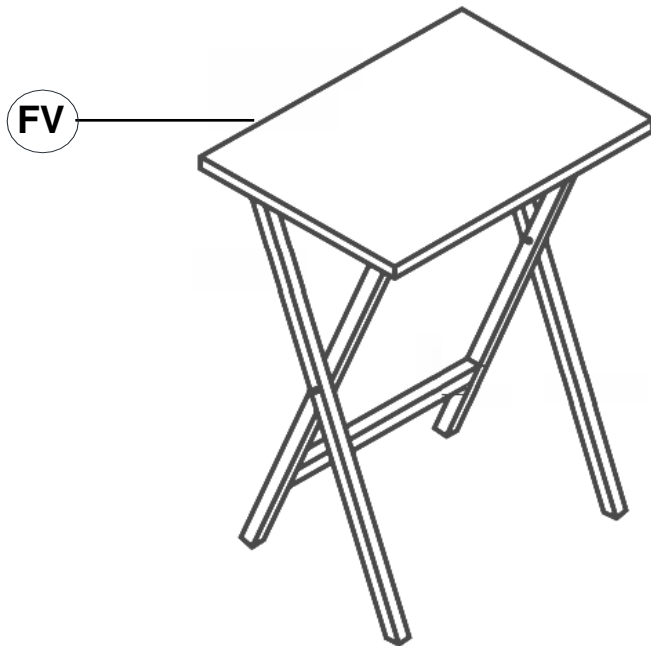
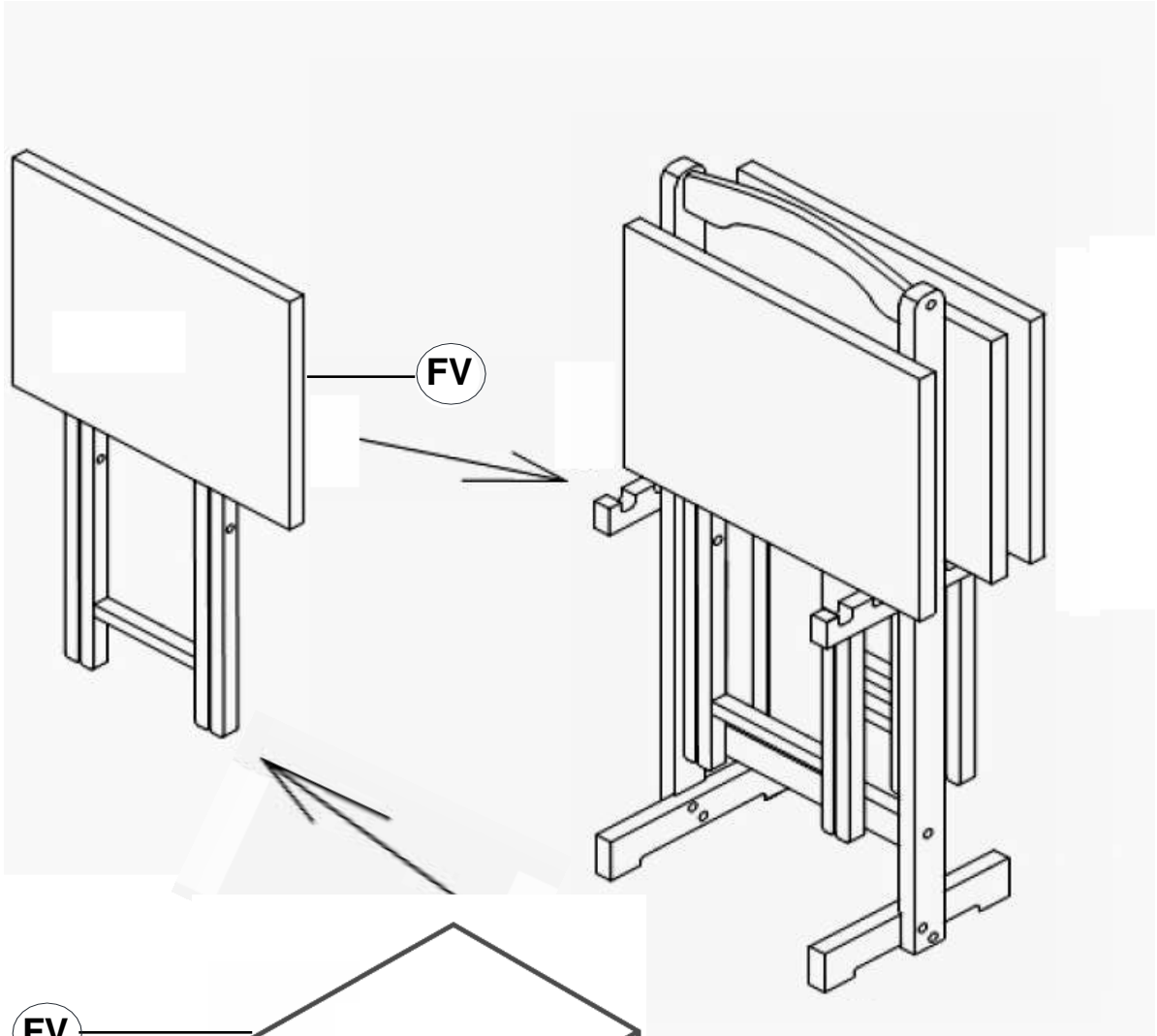
ITEM: **901081**



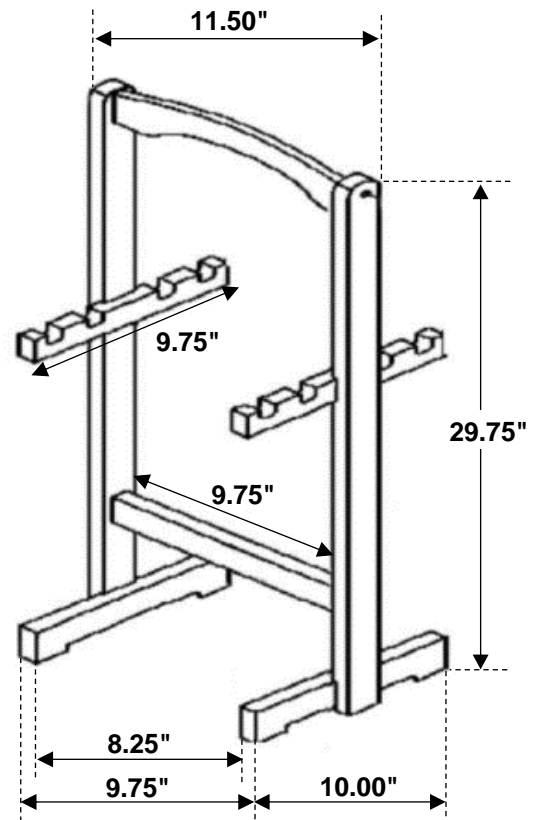
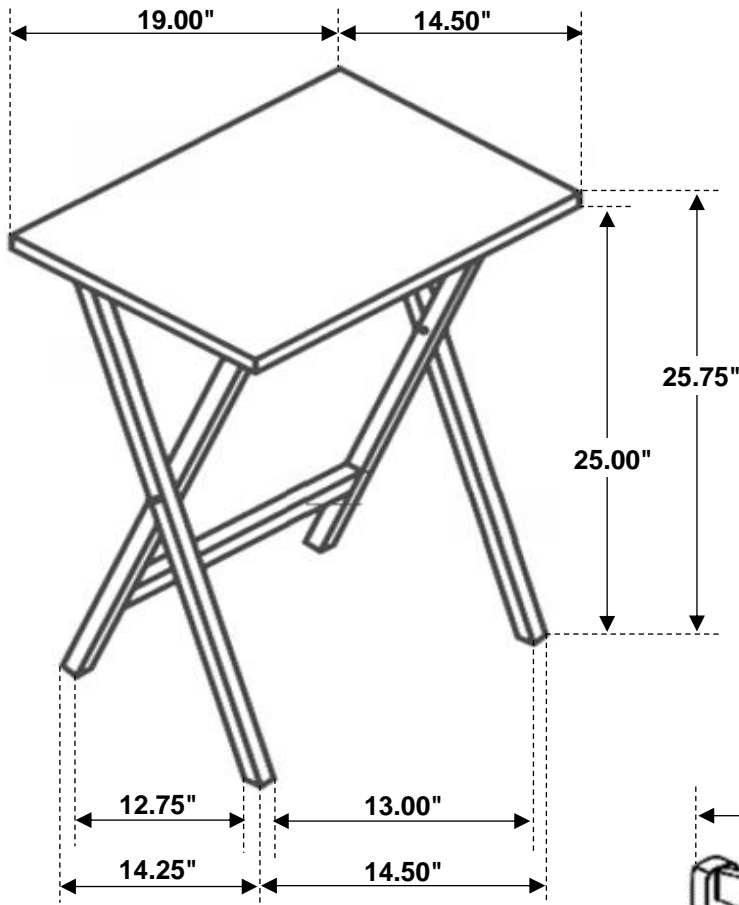
ASSEMBLY INSTRUCTIONS

STEP 2

COMPLETE



ITEM: 901081



Note: Dimension tolerance $\pm 5\%$