

ASSEMBLY INSTRUCTIONS
COASTER FINE FURNITURE



Fine Furniture for every stage of life

902762
ACCENT CABINET

ITEM:902762



ASSEMBLY INSTRUCTIONS

ASSEMBLY TIPS:

1. Remove hardware from box and sort by size.
2. Please check to see that all hardware and parts are present prior to start of assembly.
3. Please follow attached instructions in the same sequence as numbered to assure fast & easy assembly.



WARNING!

1. Don't attempt to repair or modify parts that are broken or defective. Please contact the store immediately.
2. This product is for home use only and not intended for commercial establishments.



ASSEMBLY TIME

60 MINUTES

PARTS IDENTIFICATION

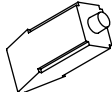



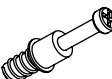




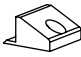
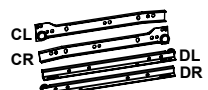


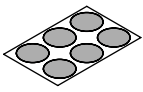
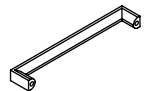
A	LEFT SIDE PANEL		1 PC	H	DRAWER FRONT PANEL		3 PCS
B	RIGHT SIDE PANEL		1 PC	I	DRAWER BACK PANEL		3 PCS
C	BOTTOM PANEL		1 PC	J	LEFT DRAWER SIDE PANEL		3 PCS
D	TOP PANEL		1 PC	K	RIGHT DRAWER SIDE PANEL		3 PCS
E	TOP PANEL		1 PC	L	DRAWER BOTTOM PANEL		3 PCS
F	BACK BRACE		1 PC	M	DRAWER SUPPORT		3 PCS
G	BACK PANEL		2 PCS	N	METAL FRAME		2 PCS

NOTE:

Phillips head screw driver is required in the assembly process; however, manufacturer does not provide this item.

ITEM:902762

HARDWARE IDENTIFICATION

Z							
NO	DESCRIPTION	FIGURE	Q'TY	NO	DESCRIPTION	FIGURE	Q'TY
1	GLUE 40g		1 PC	9	HANDLE BOLT Ø 4x23mm BLK		12 PCS
2	WOODEN DOWEL Ø 8x30mm		22 PCS	10	BOLT M6x43mm BLK		4 PCS
3	CAM BOLT Ø 7x35.5mm SR		19 PCS	11	SCREW Ø 4x12mm BLK		8 PCS
4	CAM LOCK Ø15x12mm SR		19 PCS	12	ALLEN WRENCH		1PC
5	DRAWER SCREW Ø 4.3x35mm SR		15 PCS	13	FIXER		6 PCS
6	GLIDES L = 300mm WHT		3 SET	14	FIXER SCREW Ø 3x19mm SR		6 PCS
7	GLIDES SCREW Ø 3x12mm SR		36 PCS	15	STICKER Ø 20mm		4 PCS
8	HANDLE BLK		6 PCS				

Z6,Z8,Z9 not included in blister packaging.

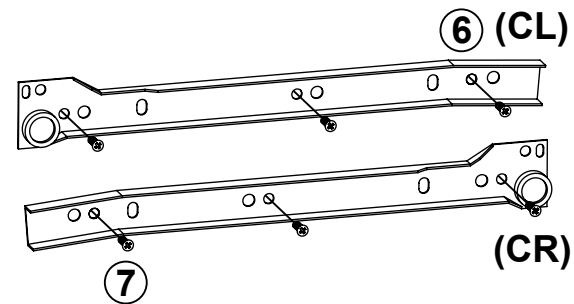
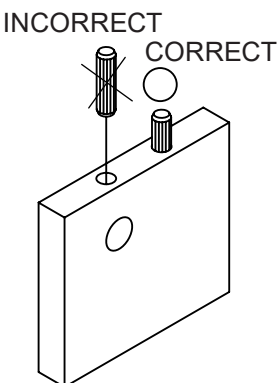
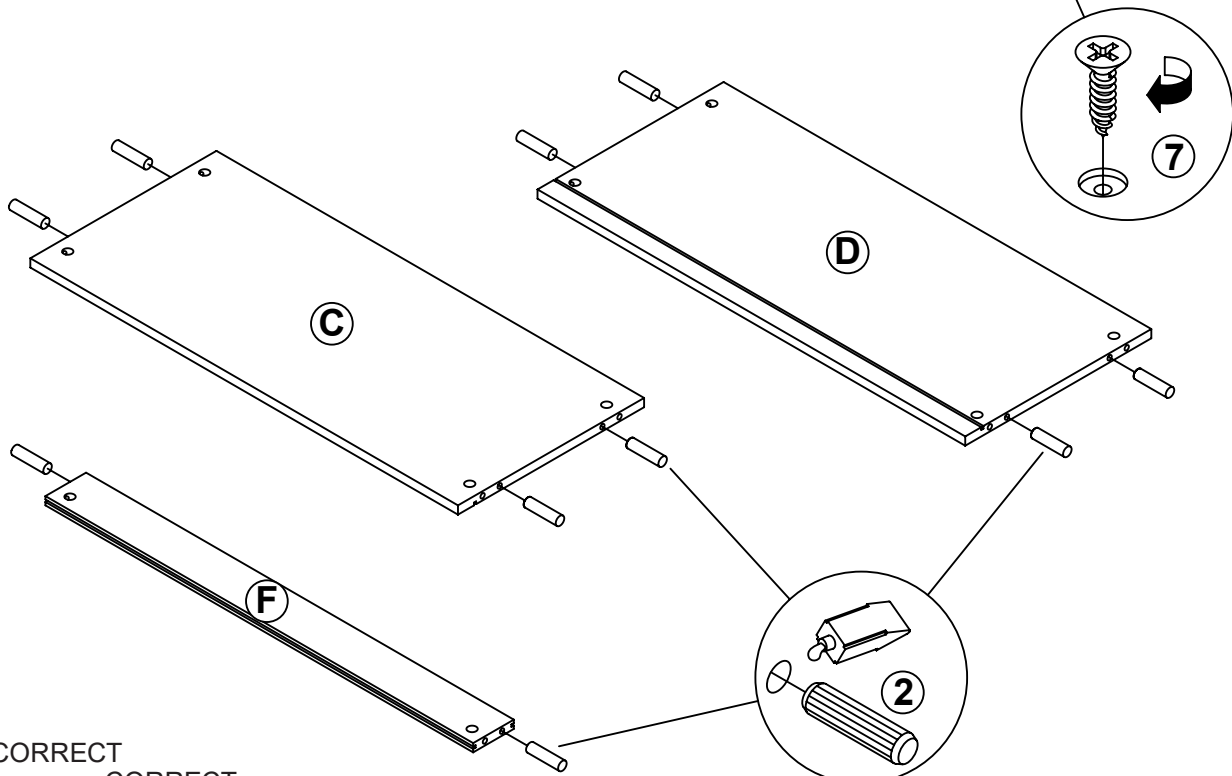
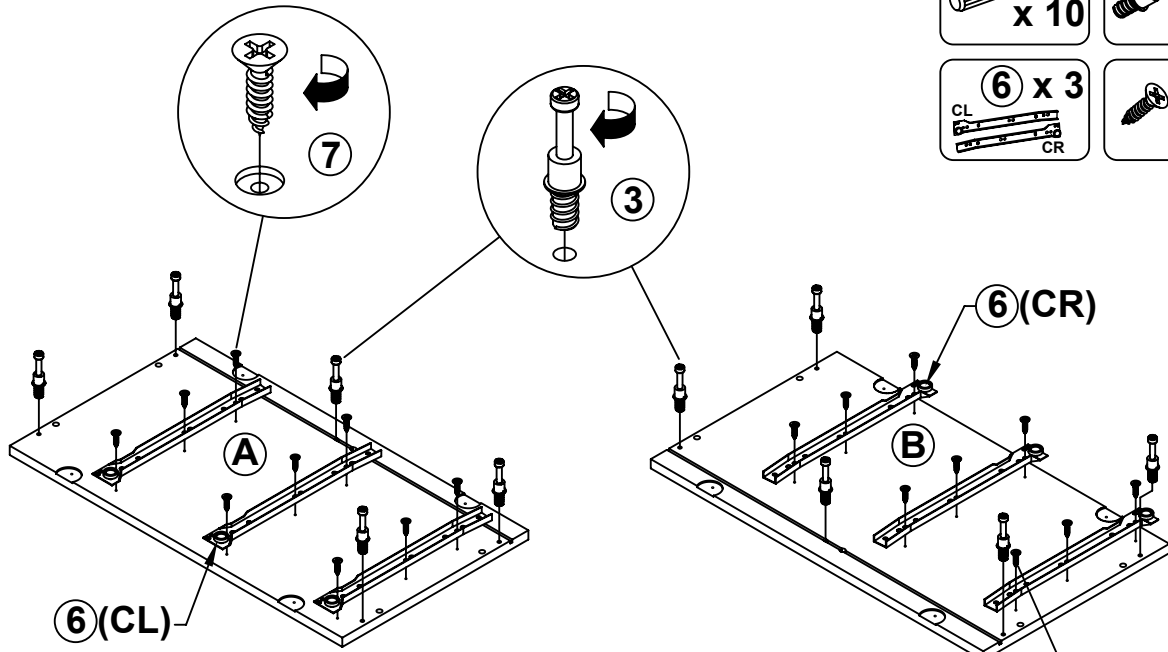
NOTE:

Phillips head screw driver is required in the assembly process; however, manufacturer does not provide this item.

ITEM: 902762

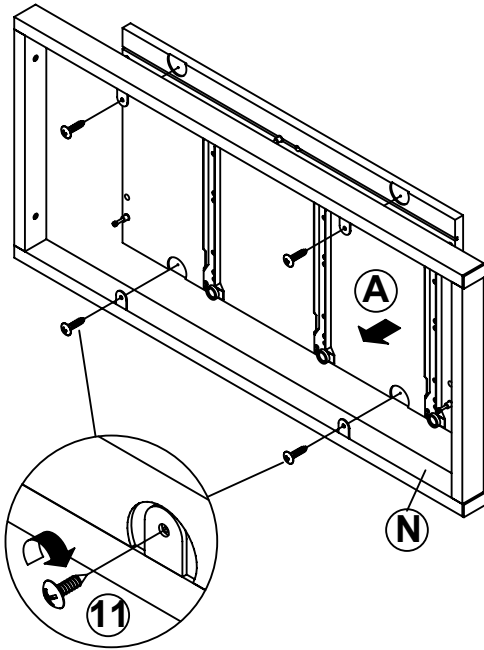
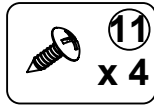
STEP 1

- 2 x 10
- 3 x 10
- 6 x 3 (CL, CR)
- 7 x 18

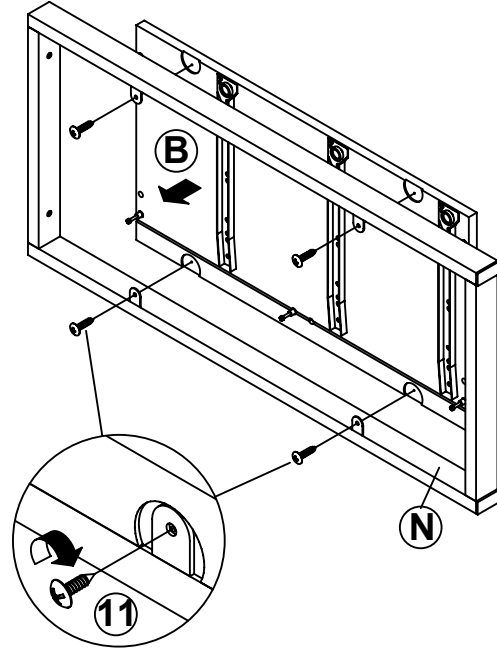
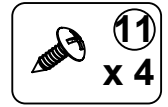


ITEM: 902762

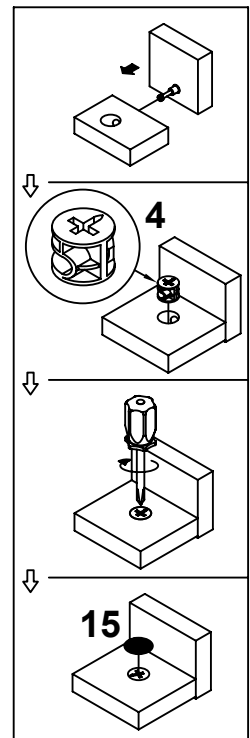
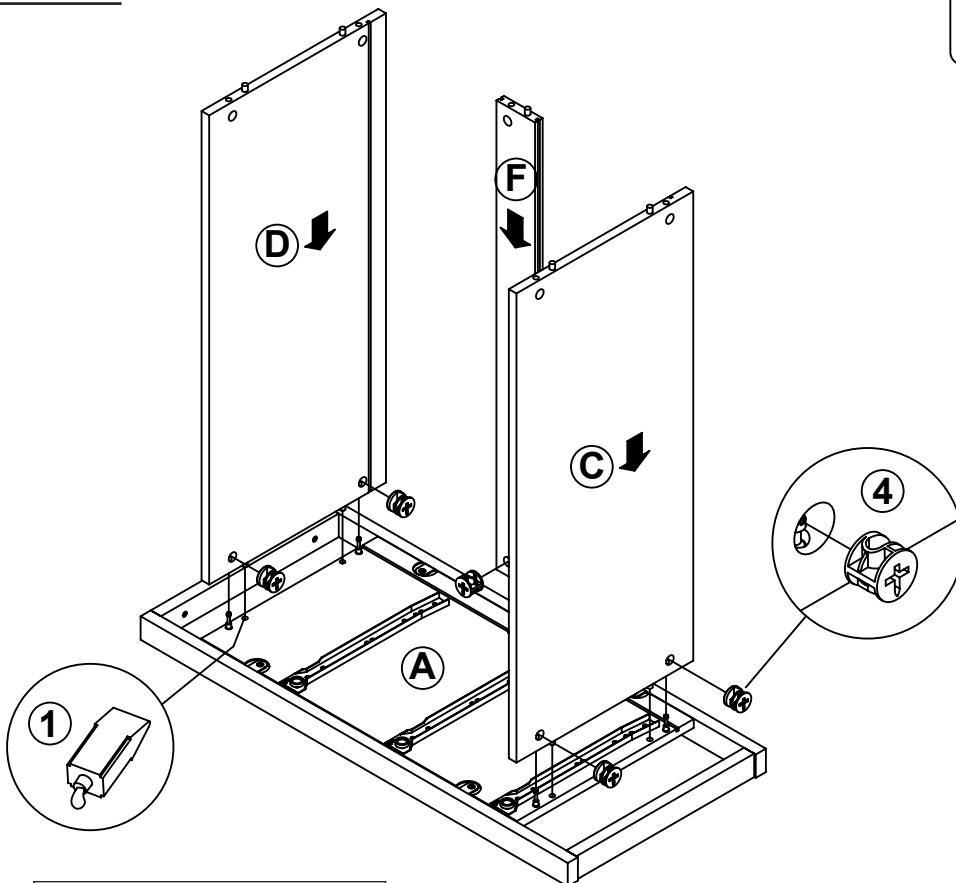
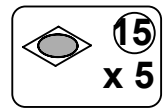
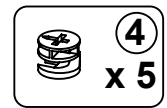
STEP 2



STEP 3



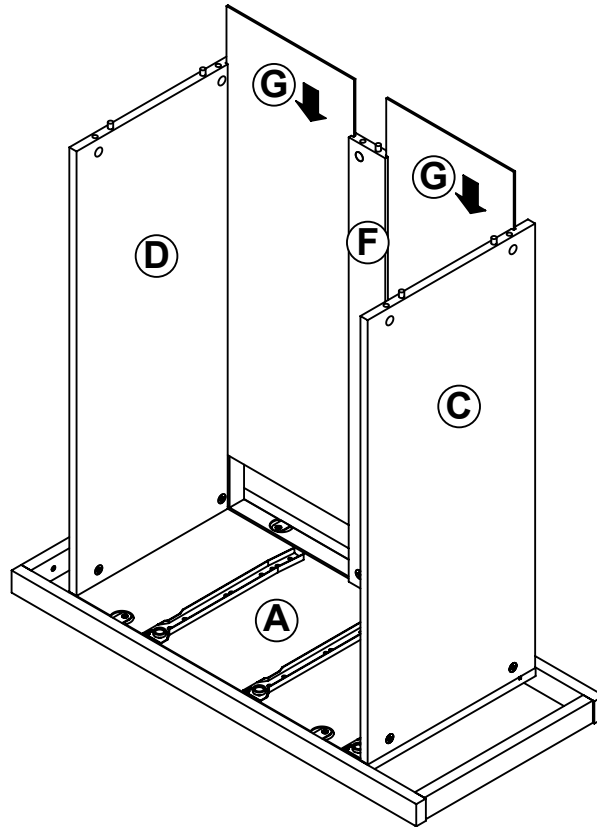
STEP 4



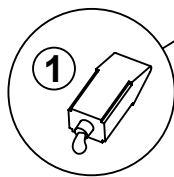
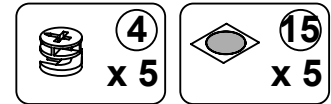
Apply glue on all wooden dowels to ensure integrity of the structure.

ITEM: 902762

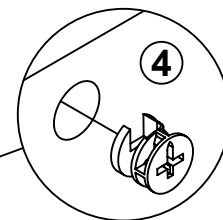
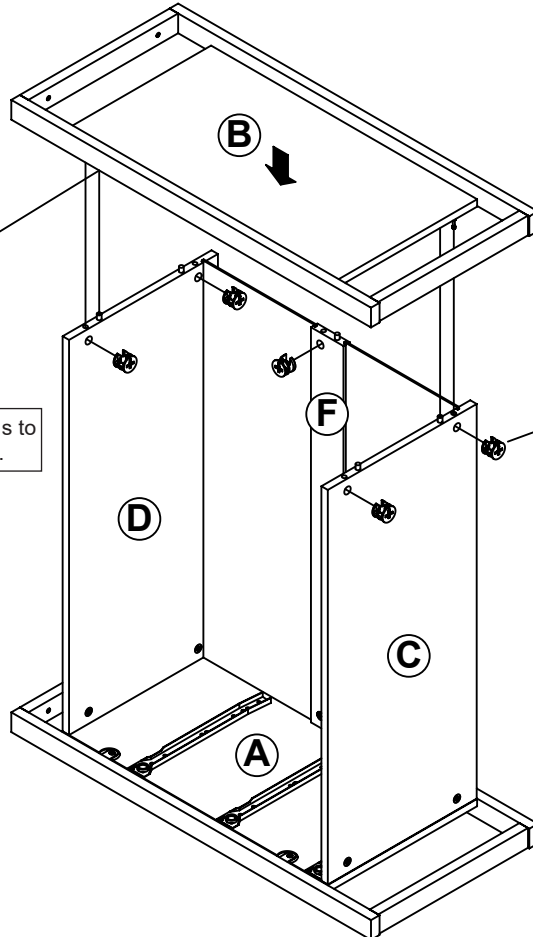
STEP 5



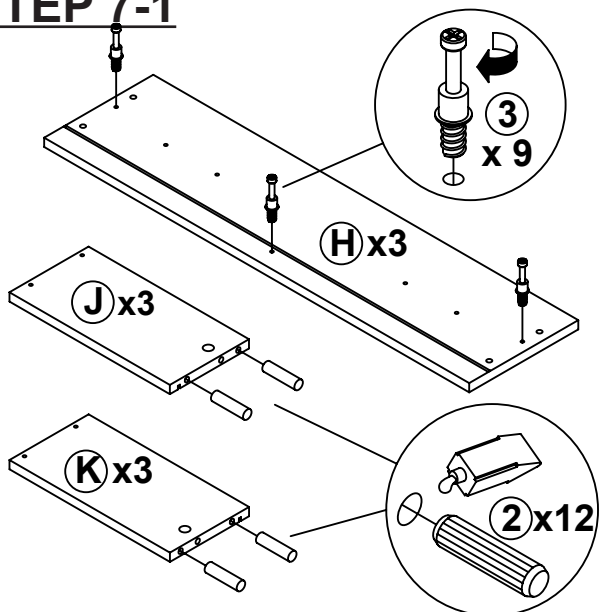
STEP 6



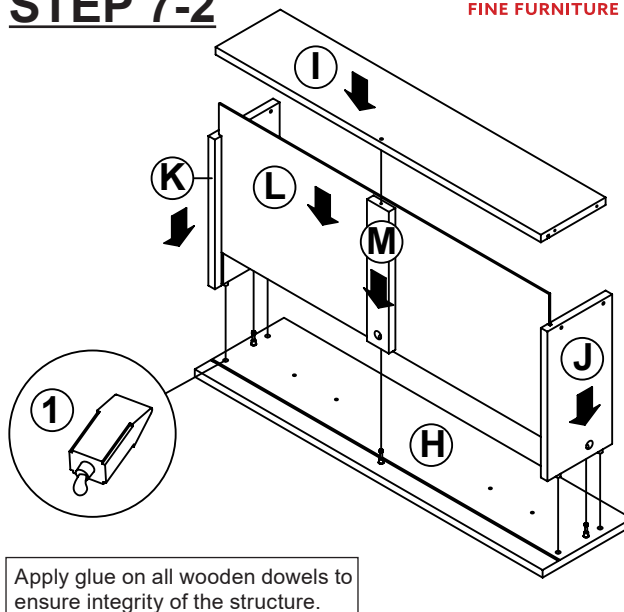
Apply glue on all wooden dowels to ensure integrity of the structure.



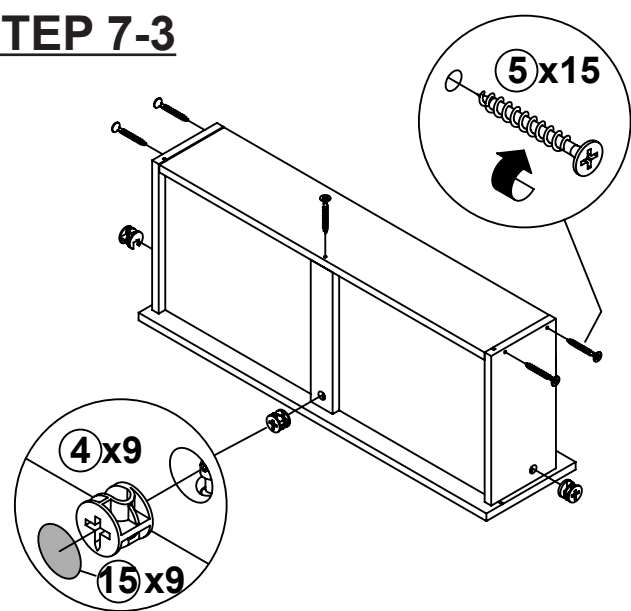
STEP 7-1



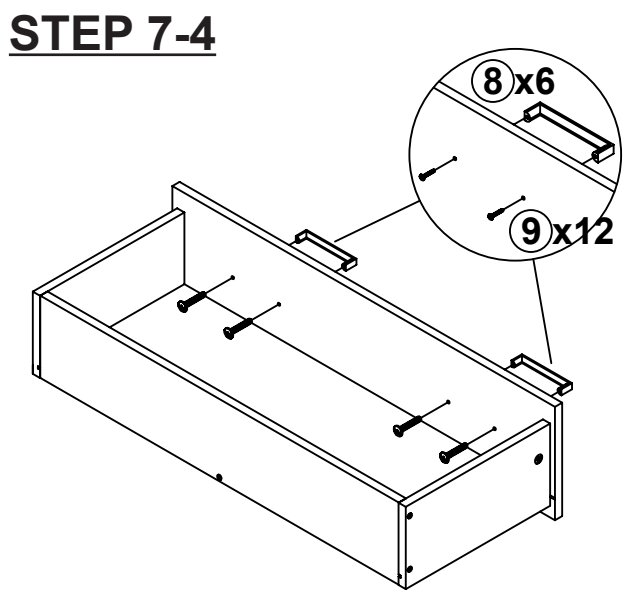
STEP 7-2



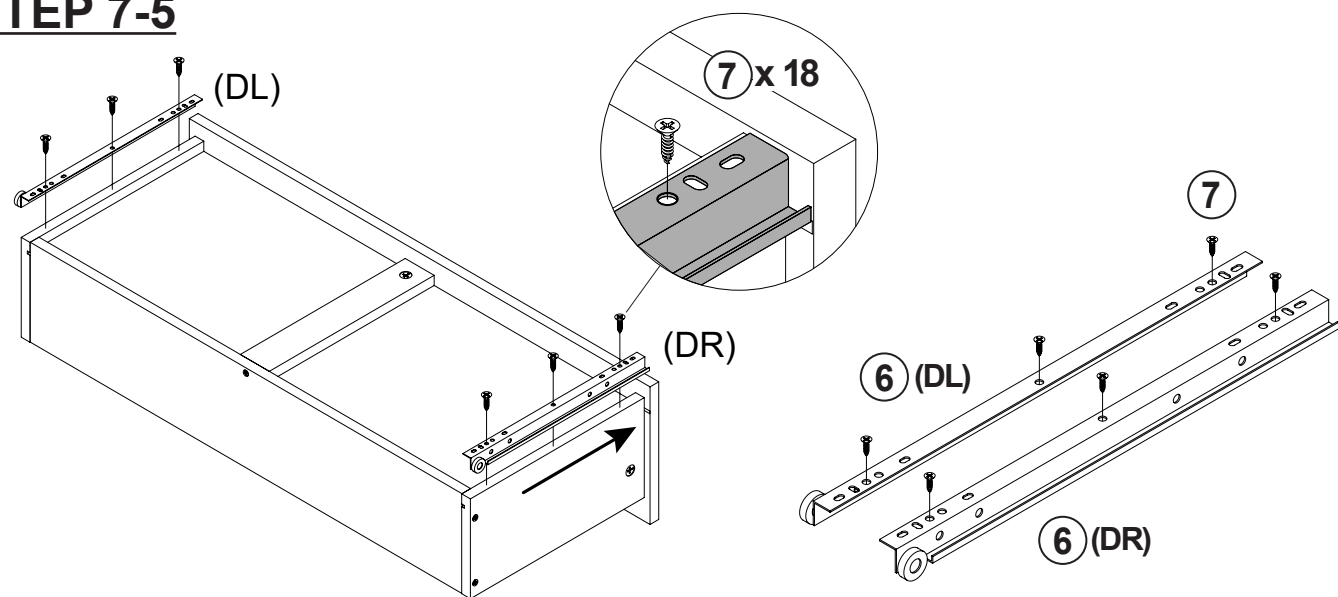
STEP 7-3



STEP 7-4

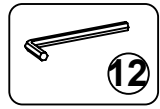
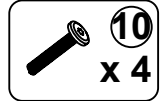
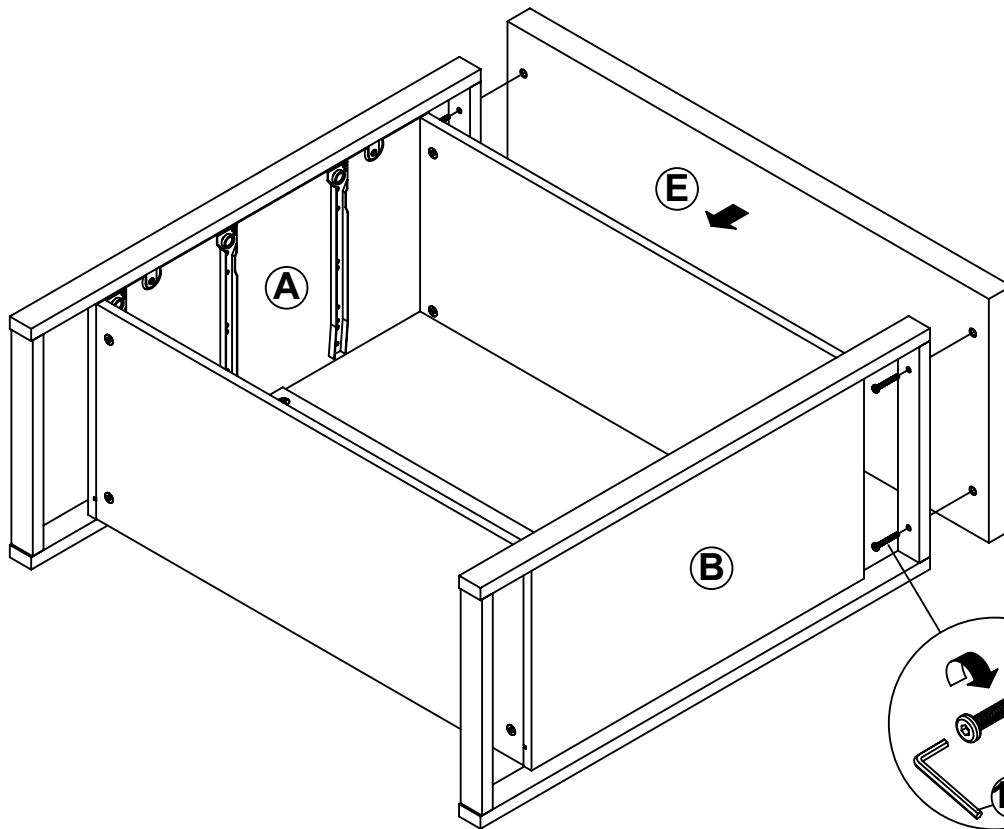


STEP 7-5

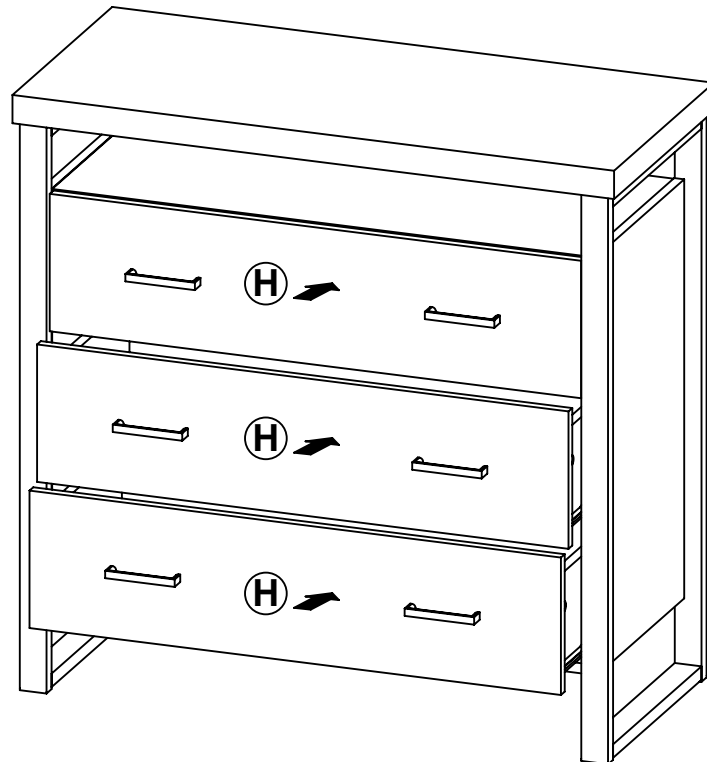


ITEM: 902762

STEP 8

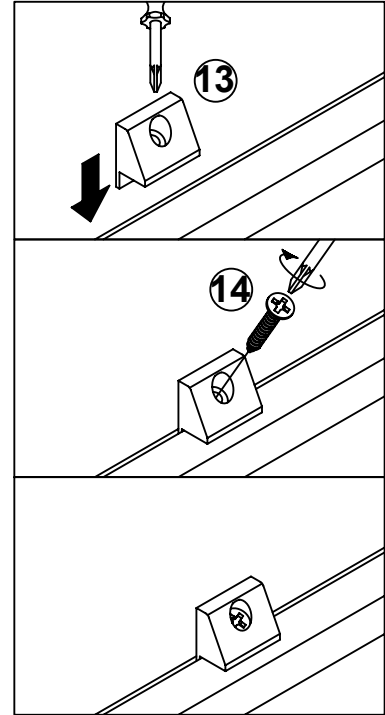
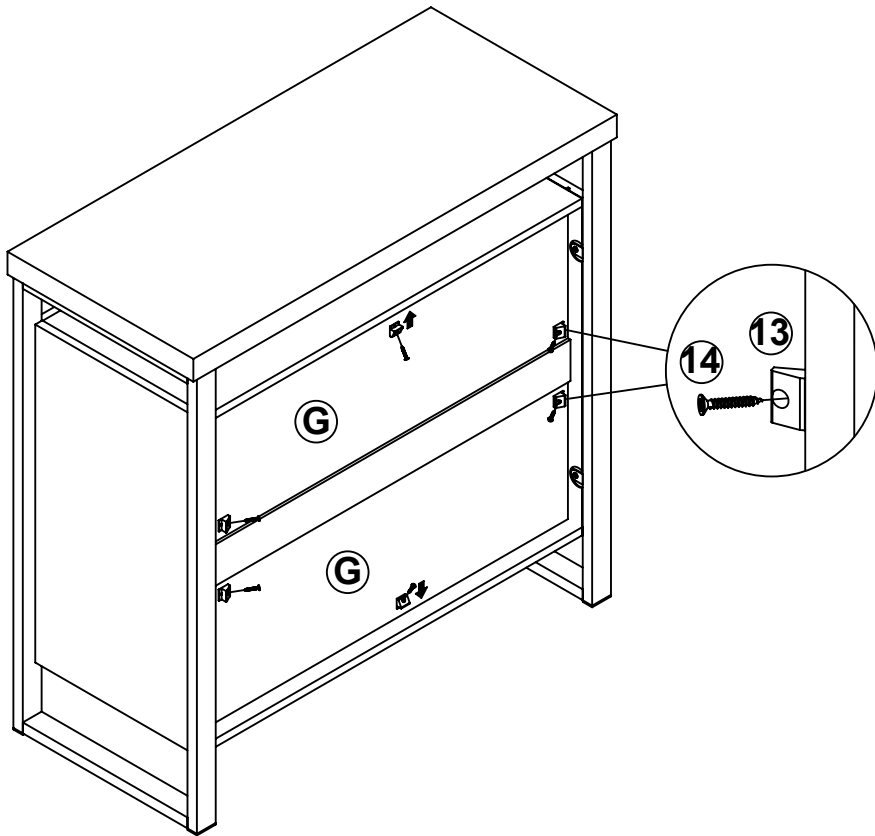
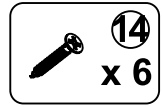
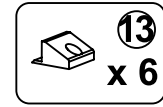


STEP 9

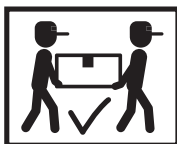
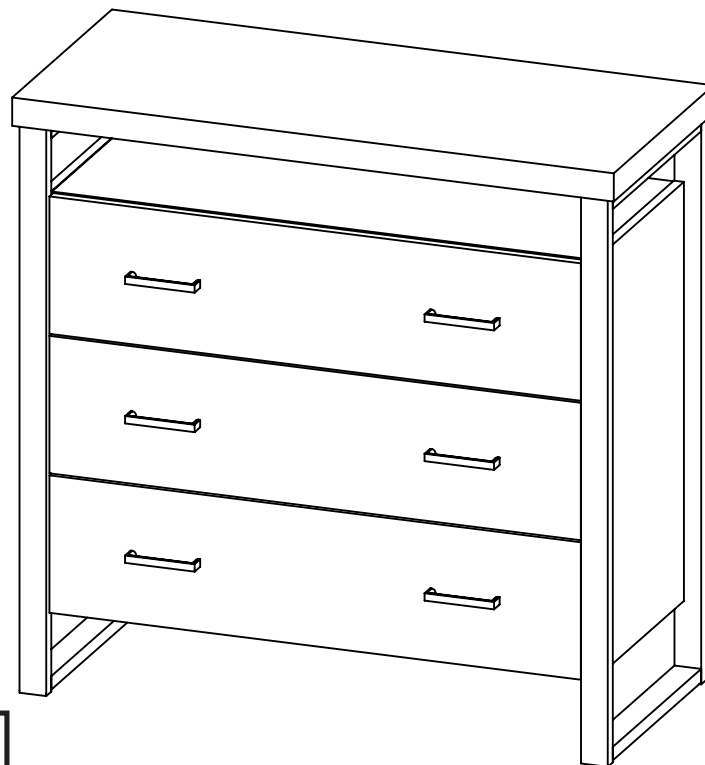


ITEM: 902762

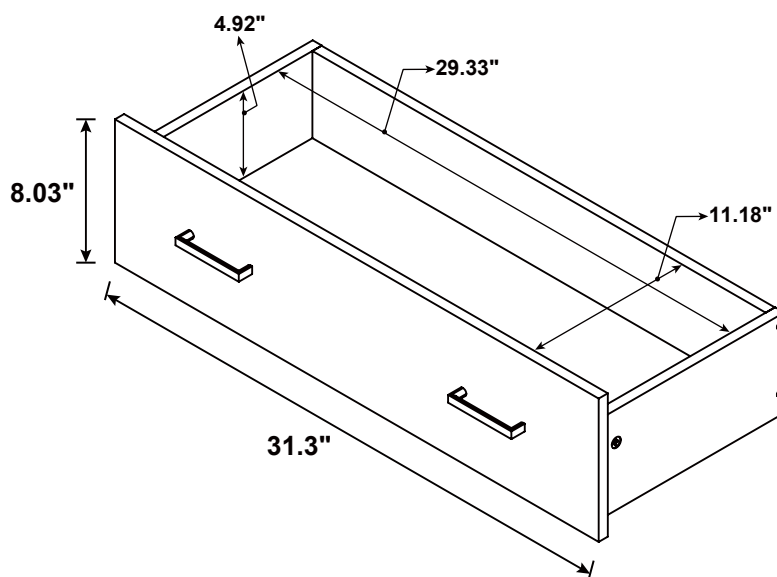
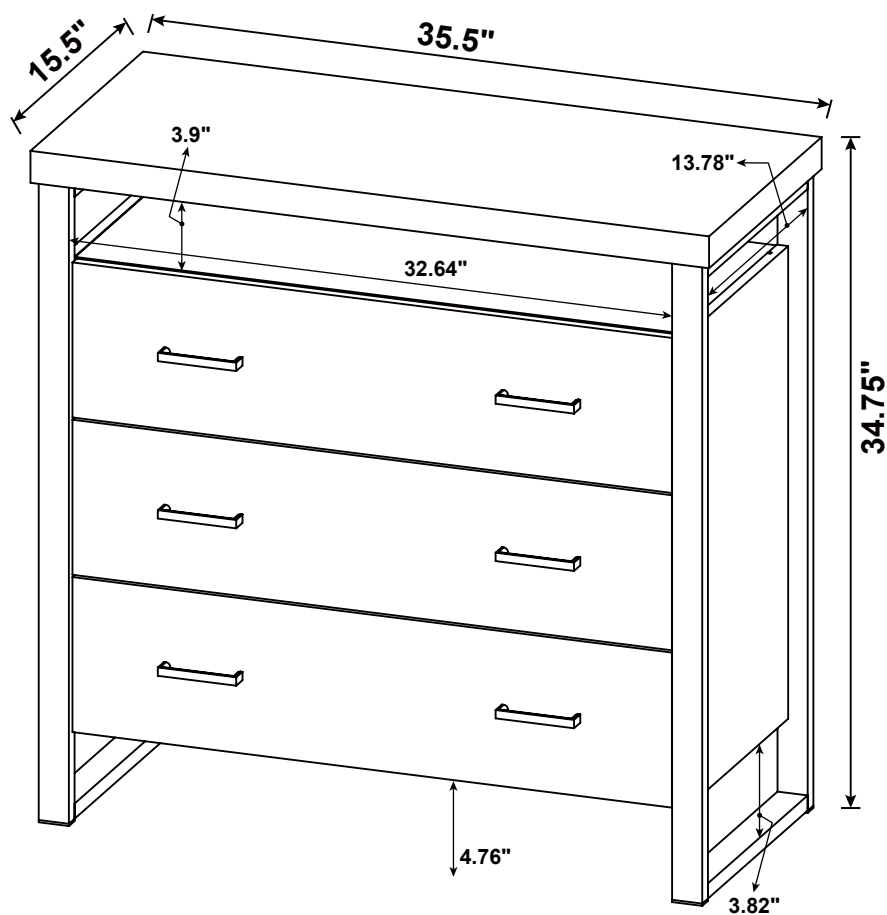
STEP 10



STEP 11
COMPLETE



ITEM:902762



Note : Dimension tolerance $\pm 5\%$

ANTI-TIPPING INSTALLMENT INSTRUCTIONS

FURNITURE TIPPING RESTRAINT

WARNING

Injury may result from tipping furniture.
This restraint may protect against tipping furniture.
Do not allow children to climb on furniture.
This restraint is not a substitute for proper adult supervision.
Failure to detach this restraint before moving the furniture
may result in injury and damage.

1. To attach the anti-tip strap, securely mount one end to the top of the case piece with the 5/8" screw.
2. Position the case piece against the wall in the desired location.
3. Pull the anti-tip strap taut and mark the position of where you will secure the other end on the wall.
4. Drill a 1-1/4" hole in the spot you marked.
5. Tap in plastic wall plug.
6. Fasten anti-tip strap with wall screw provided.

(Please install the anti-tipping kit in the middle of the case piece if only have one set of anti-tipping kit.)

