

ASSEMBLY INSTRUCTIONS
COASTER FINE FURNITURE



Fine Furniture for every stage of life

980006
HALL TREE

ITEM: 980006



ASSEMBLY INSTRUCTIONS

ASSEMBLY TIPS:

1. Remove hardware from box and sort by size.
2. Please check to see that all hardware and parts are present prior to start of assembly.
3. Please follow attached instructions in the same sequence as numbered to assure fast & easy assembly.



WARNING!

1. Don't attempt to repair or modify parts that are broken or defective. Please contact the store immediately.
2. This product is for home use only and not intended for commercial establishments.

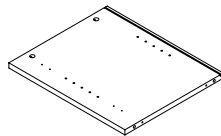


ASSEMBLY TIME

60 MINUTES

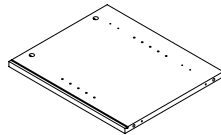
PARTS IDENTIFICATION

A LEFT SIDE PANEL



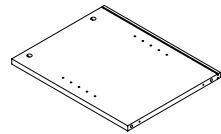
1 PC

B RIGHT SIDE PANEL



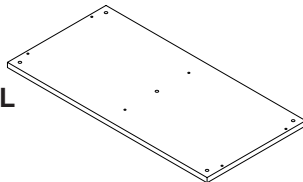
1 PC

C MIDDLE DIVIDER PANEL



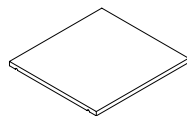
1 PC

D BOTTOM PANEL



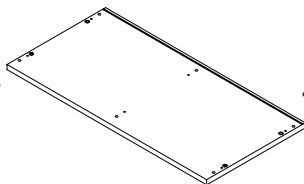
1 PC

E ADJUSTABLE PANEL



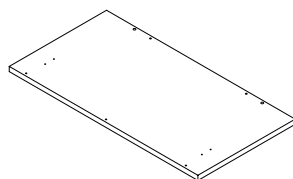
2 PCS

F MIDDLE CROSS PANEL



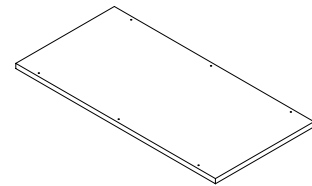
1 PC

G UPPER CROSS PANEL



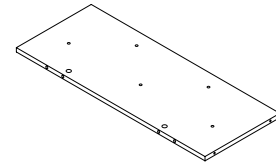
1 PC

H TOP PANEL



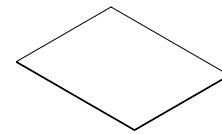
1 PC

I UPPER BACK PANEL



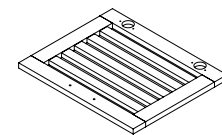
1 PC

J LOWER BACK PANEL



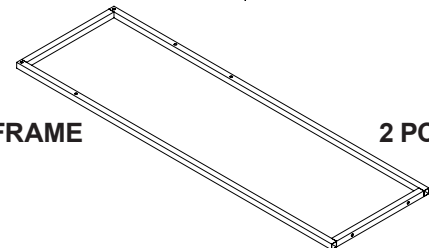
2 PCS

K DOOR



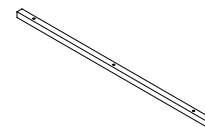
2 PCS

L METAL FRAME



2 PCS

M CROSSBAR

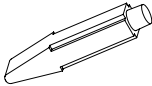
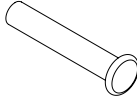
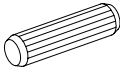

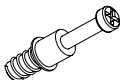
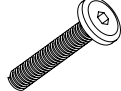



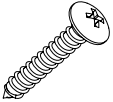

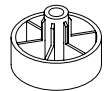
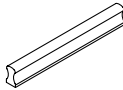


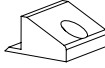
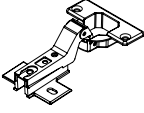


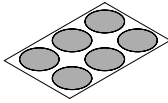
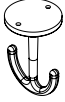


3 PCS

NOTE:

Phillips head screw driver is required in the assembly process; however, manufacturer does not provide this item.

HARDWARE IDENTIFICATION

Z							
NO	DESCRIPTION	FIGURE	Q'TY	NO	DESCRIPTION	FIGURE	Q'TY
1	GLUE 15g		1 PC	12	HOOK 60mm BLK		5 PCS
2	WOODEN DOWEL ø8x30mm		14 PCS	13	BOLT M6x28mm BLK		5 PCS
3	CAM BOLT ø7x35.5mm SR		8 PCS	14	BOLT M6x38mm BLK		10 PCS
4	CAM LOCK ø15x12mm SR		8 PCS	15	BOLT Ø7x50mm BLK		4 PCS
5	SCREW Ø4.5x42mm SR		6 PCS	16	SCREW ø5x33mm BLK		9 PCS
6	PIN FOR ADJUSTABLE SHELF Ø4.9x15mm SR		8 PCS	17	FOOT ø35xH19mm		5 PCS
7	HANDLE L= 120mm BLK		2 PCS	18	ALLEN WRENCH 4mm SR		1 PC
8	HANDLE BOLT Ø4x28mm BLK		4 PCS	19	FIXER		6 PCS
9	HINGE Ø35mm SR		4 PCS	20	FIXER SCREW Ø3x19mm SR		10 PCS
10	HINGE SCREW ø4x15mm SR		16 PCS	21	STICKER ø20mm		2 PCS
11	HOOK BLK		2 PCS				

Z9,Z11,Z12 not included in blister packaging.

NOTE:

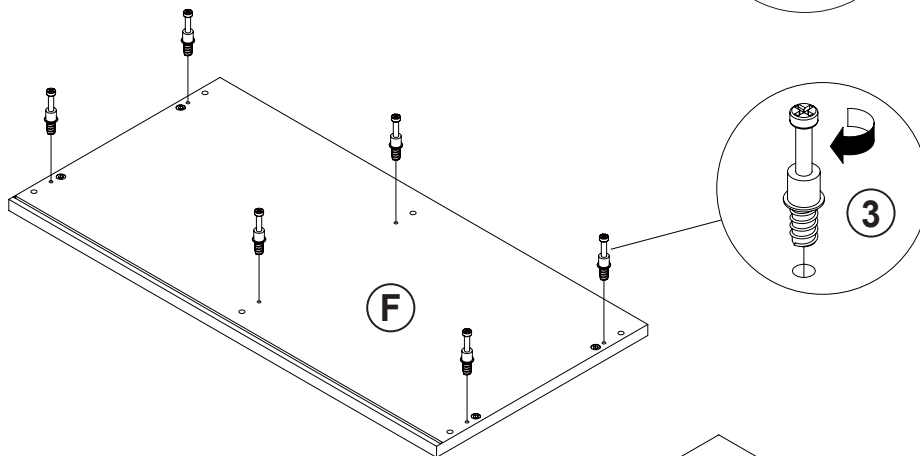
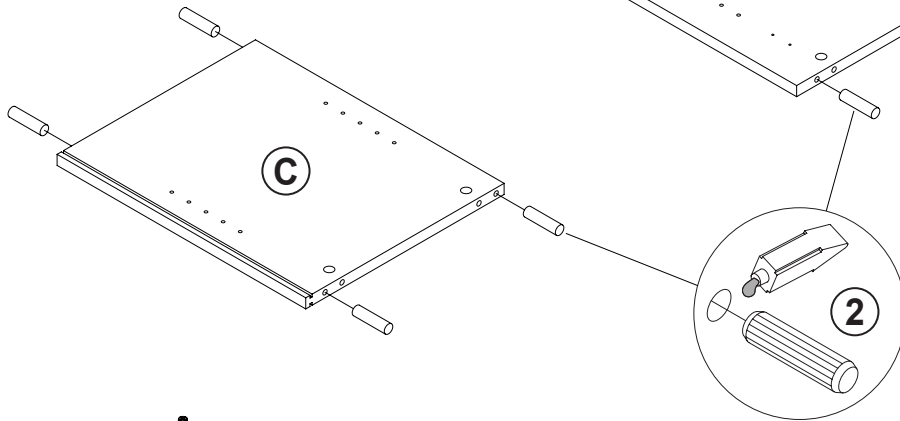
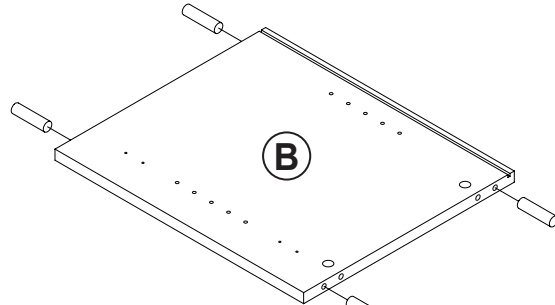
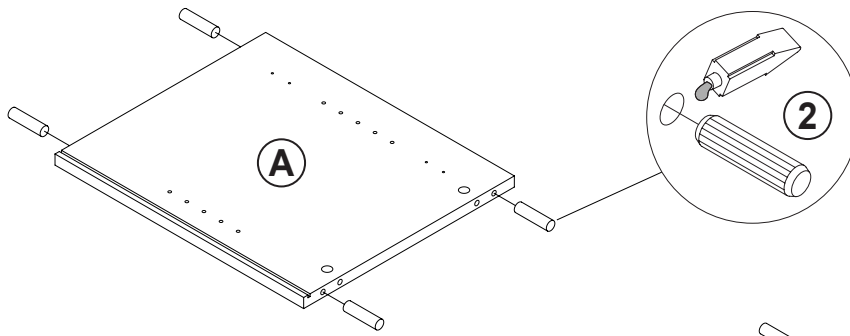
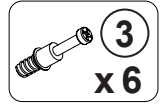
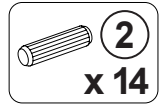
Phillips head screw driver is required in the assembly process; however, manufacturer does not provide this item.

ITEM: 980006

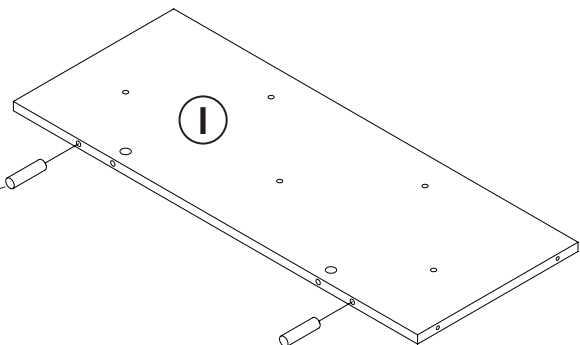
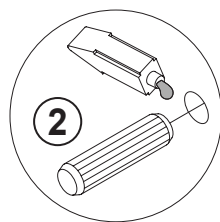
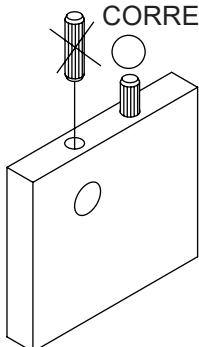
COASTER[®]

FINE FURNITURE

STEP 1



INCORRECT
CORRECT

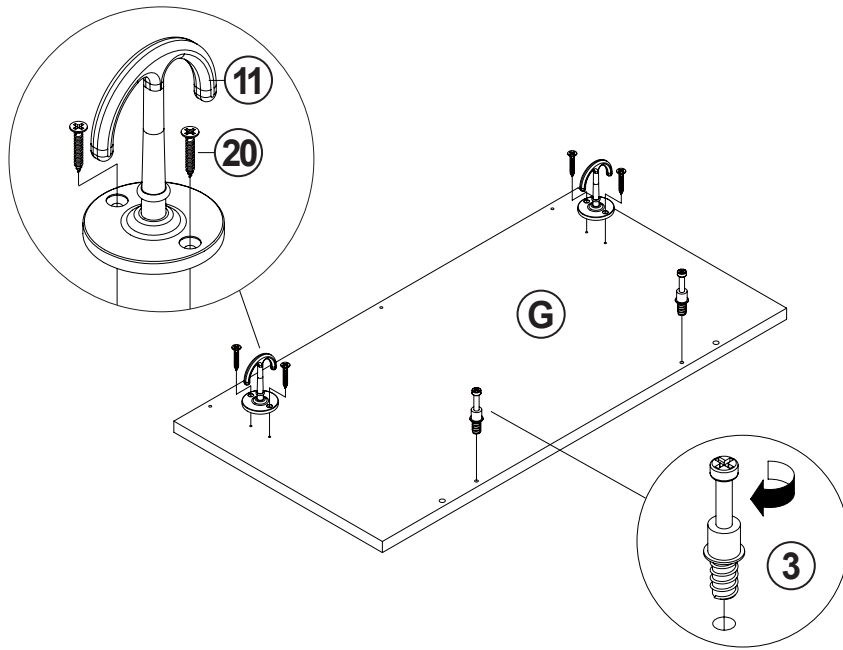
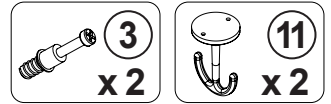


Apply glue on all wooden dowels to ensure integrity of the structure.

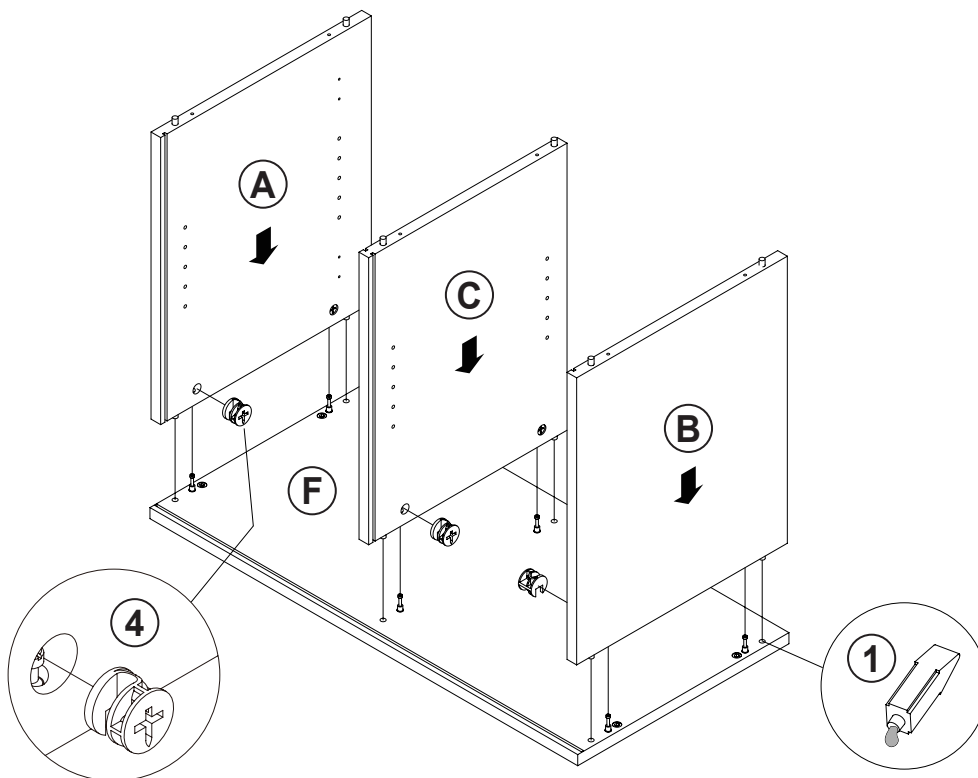
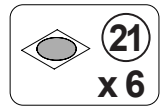
ITEM: **980006**

COASTER
FINE FURNITURE

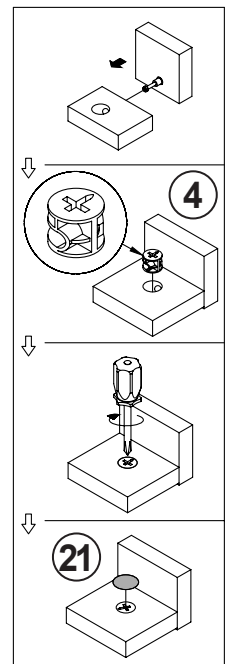
STEP 2



STEP 3

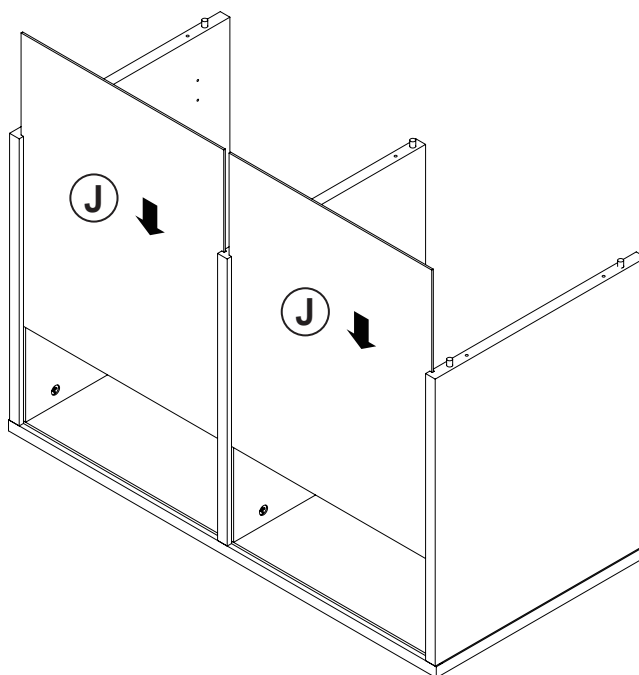


Apply glue on all wooden dowels to ensure integrity of the structure.

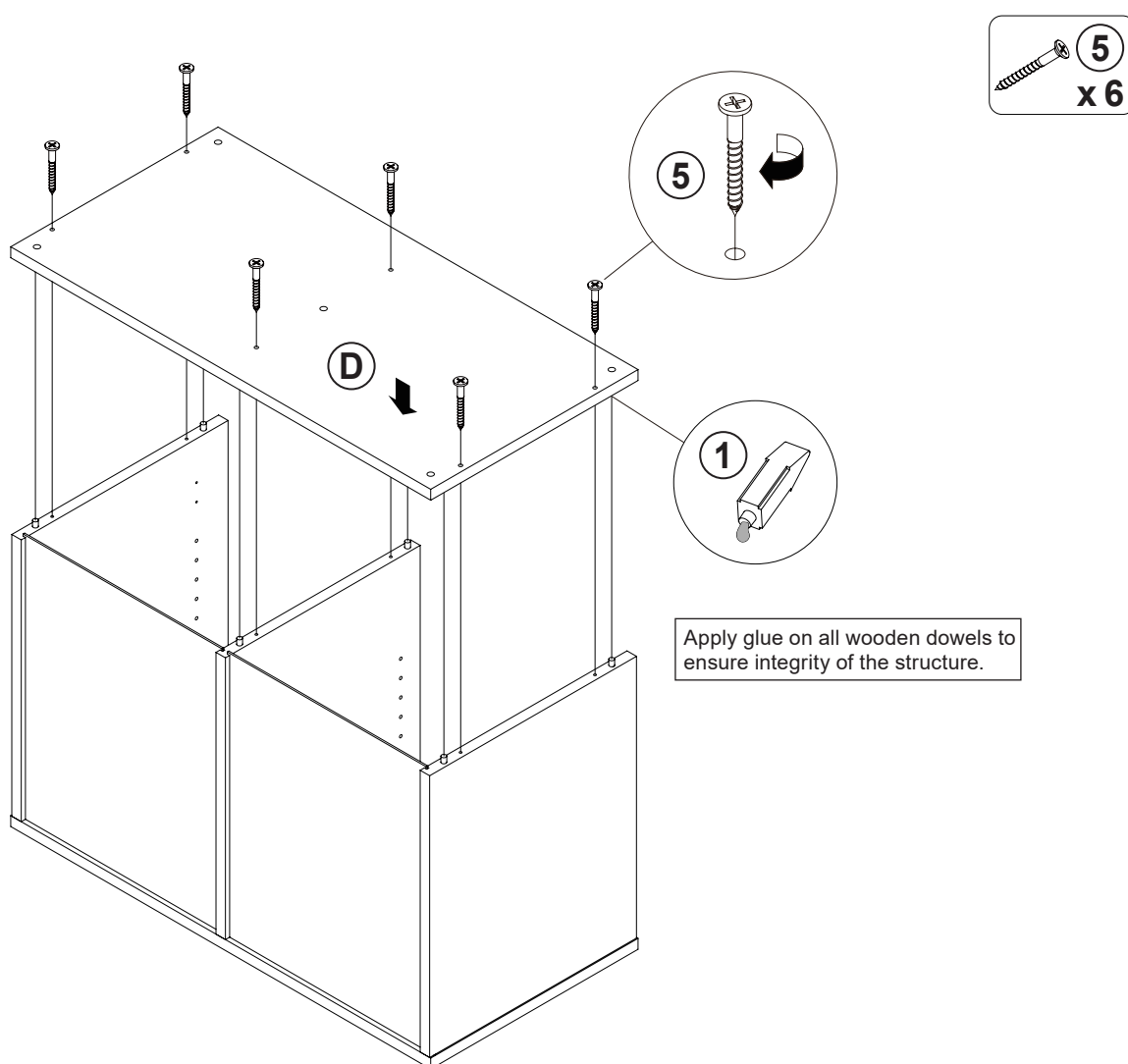


ITEM: **980006**

STEP 4



STEP 5

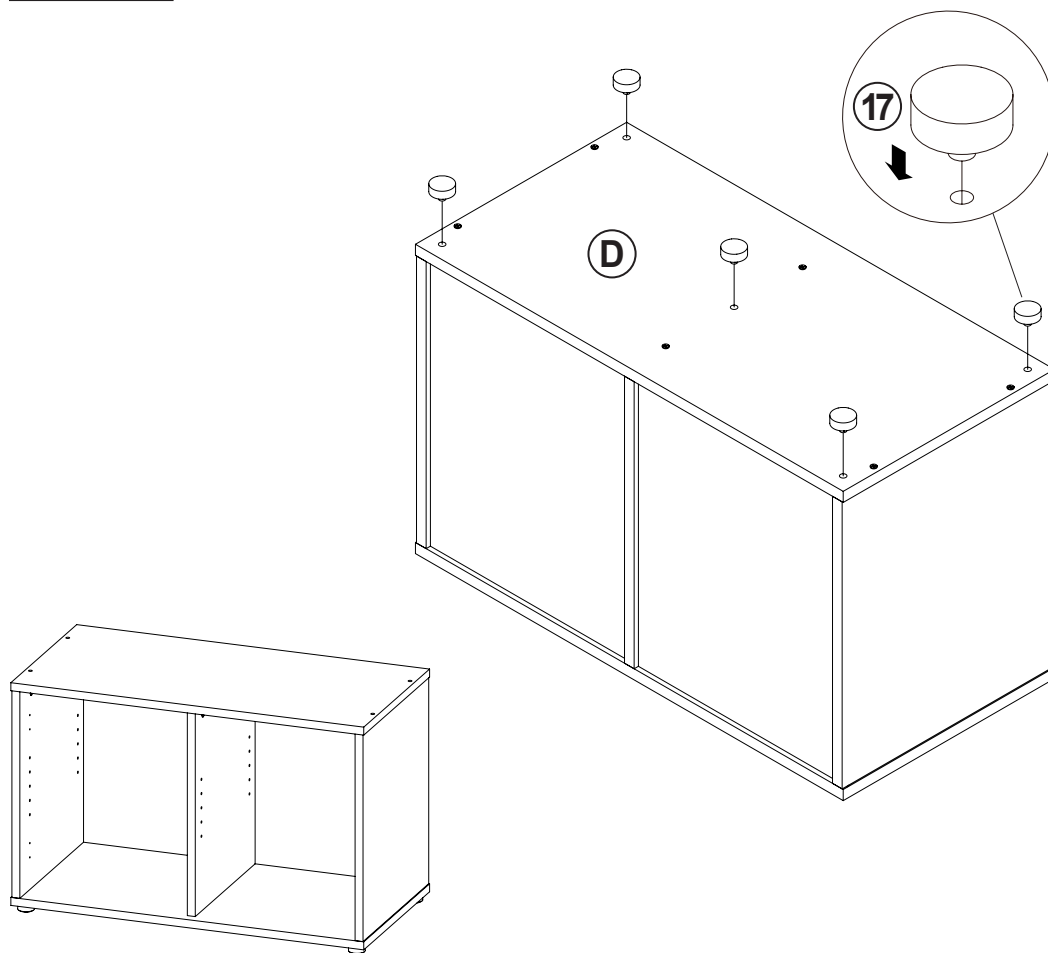
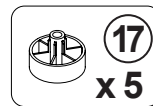


ITEM: 980006

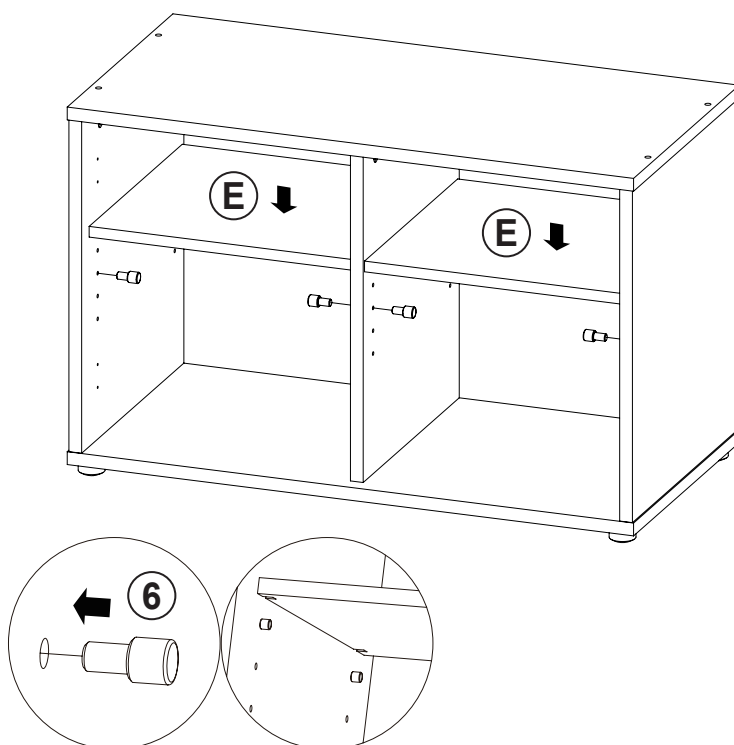
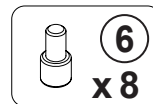
COASTER[®]

FINE FURNITURE

STEP 6



STEP 7

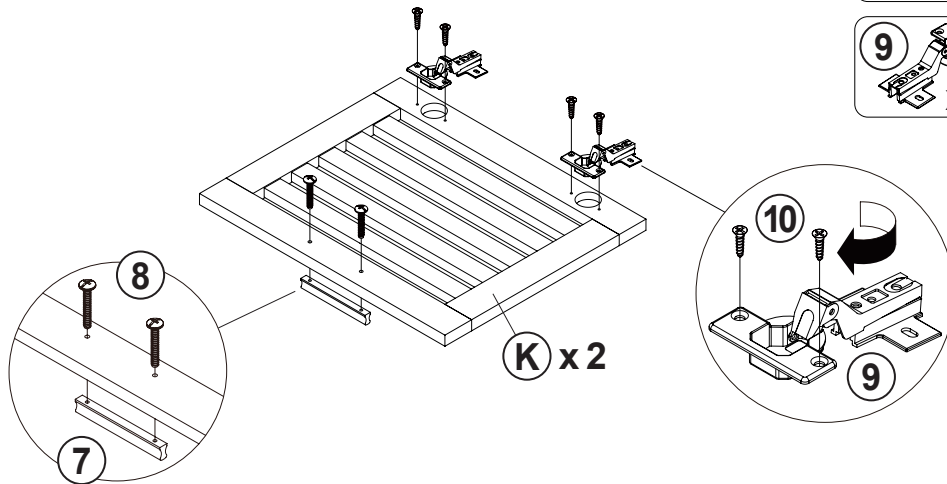


ITEM: 980006

COASTER
FINE FURNITURE

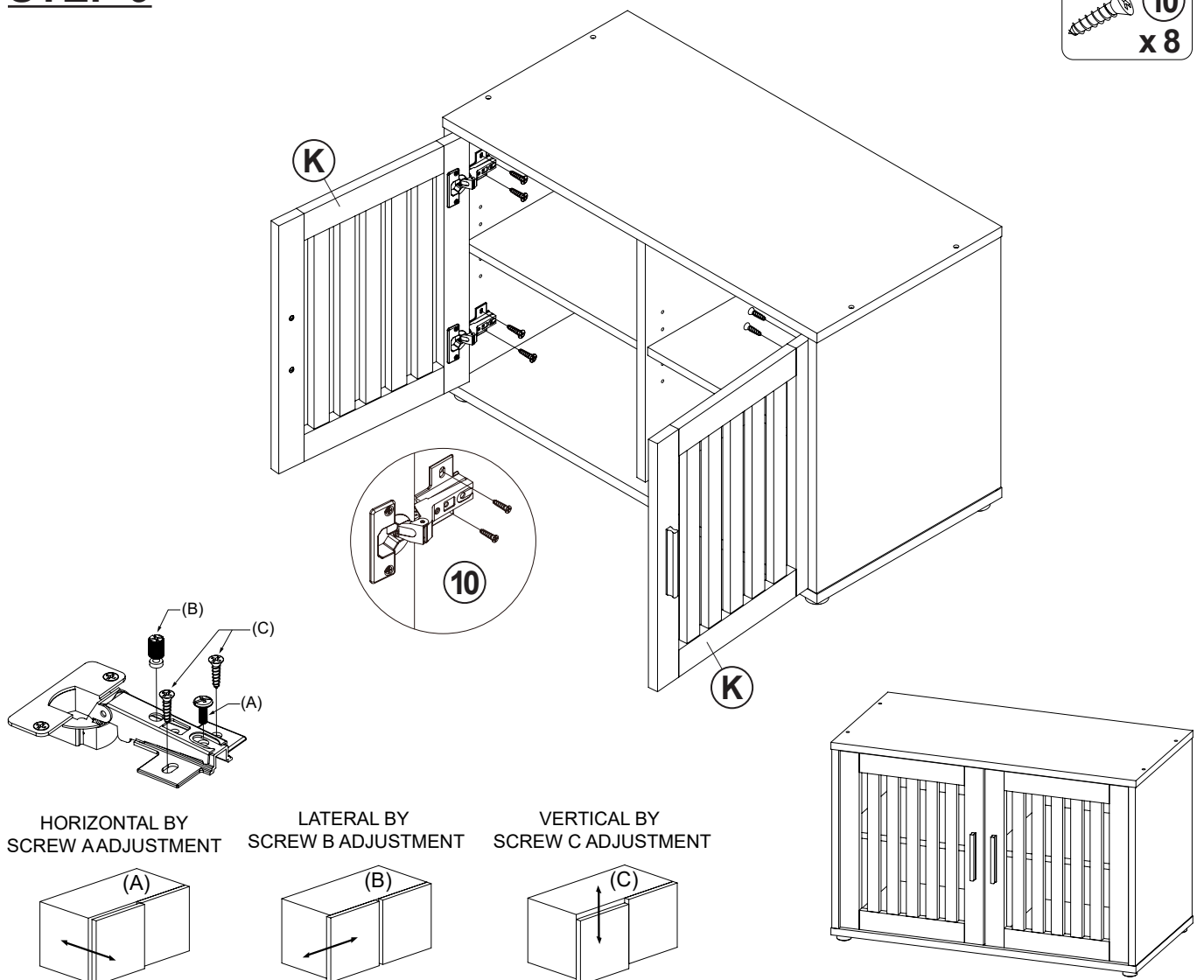
STEP 8

- 7 x 2
- 8 x 4
- 9 x 4
- 10 x 8



STEP 9

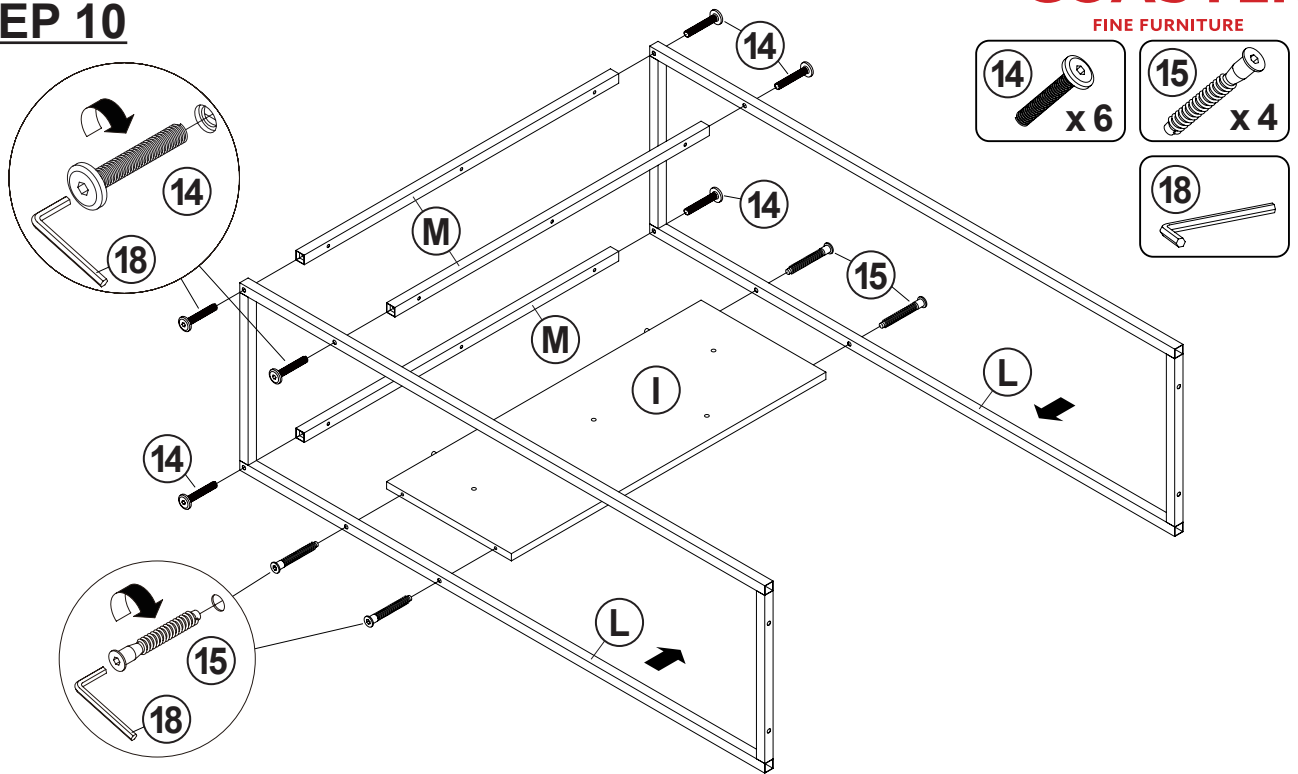
- 10 x 8



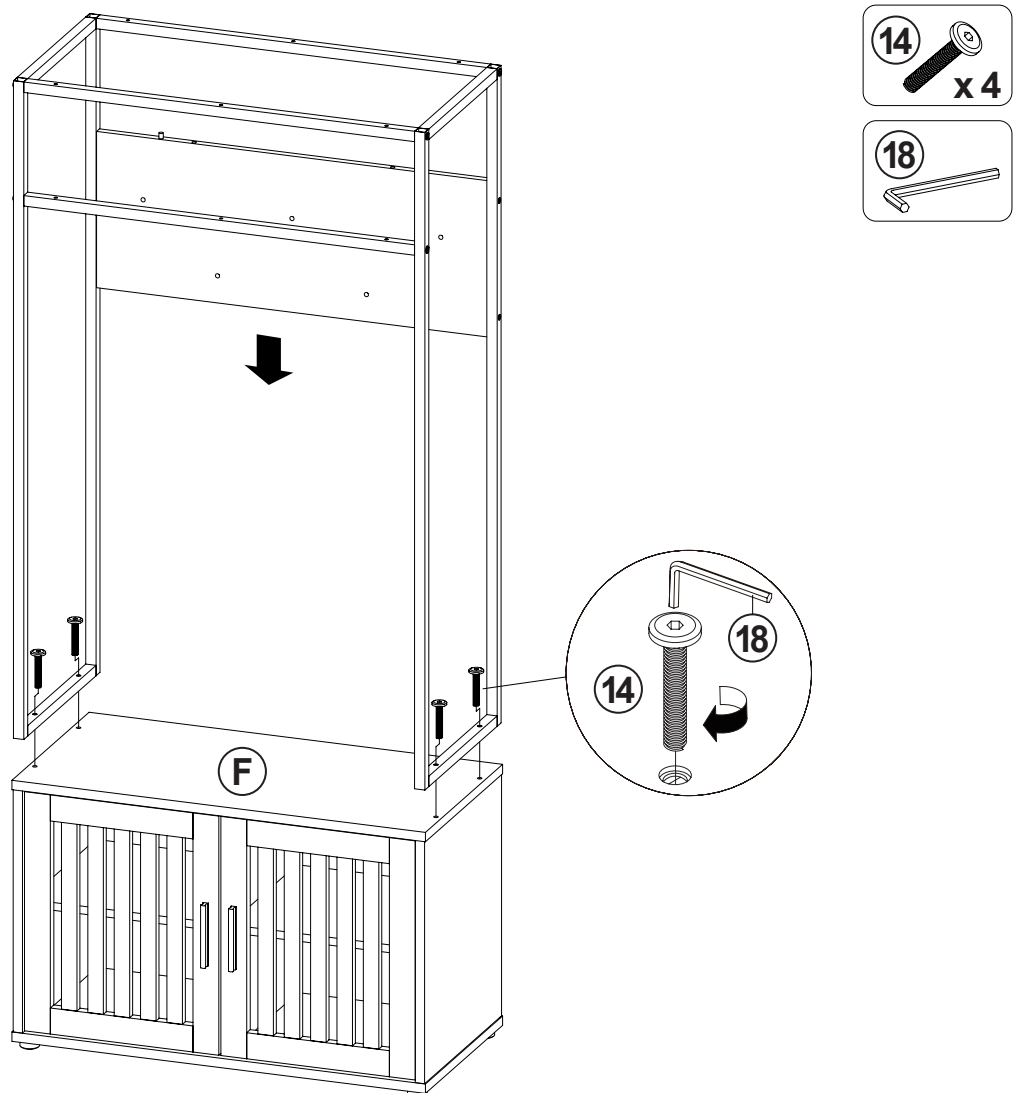
ITEM: 980006

COASTER
FINE FURNITURE

STEP 10



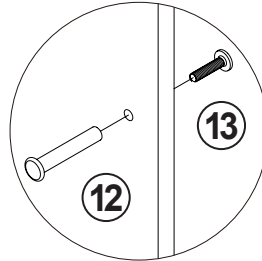
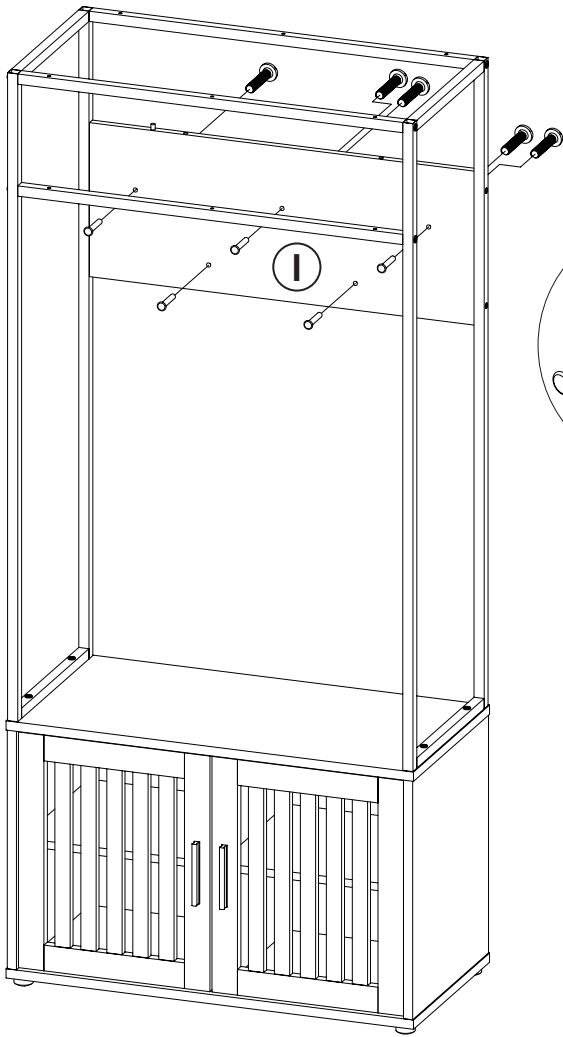
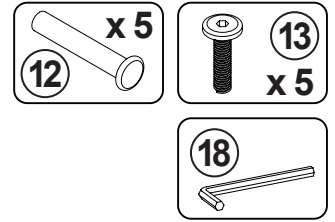
STEP 11



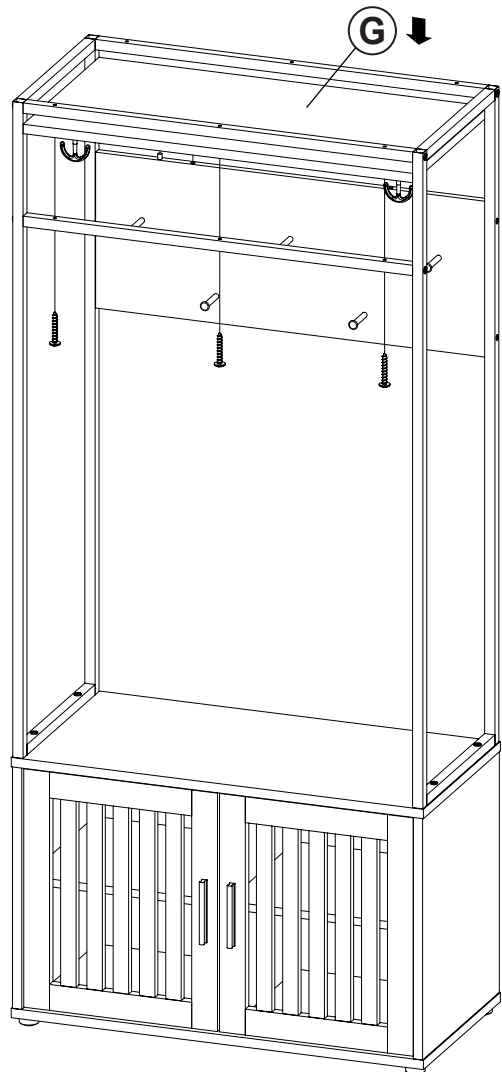
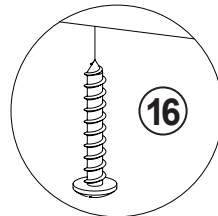
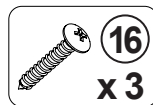
ITEM: 980006

COASTER
FINE FURNITURE

STEP 12



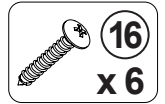
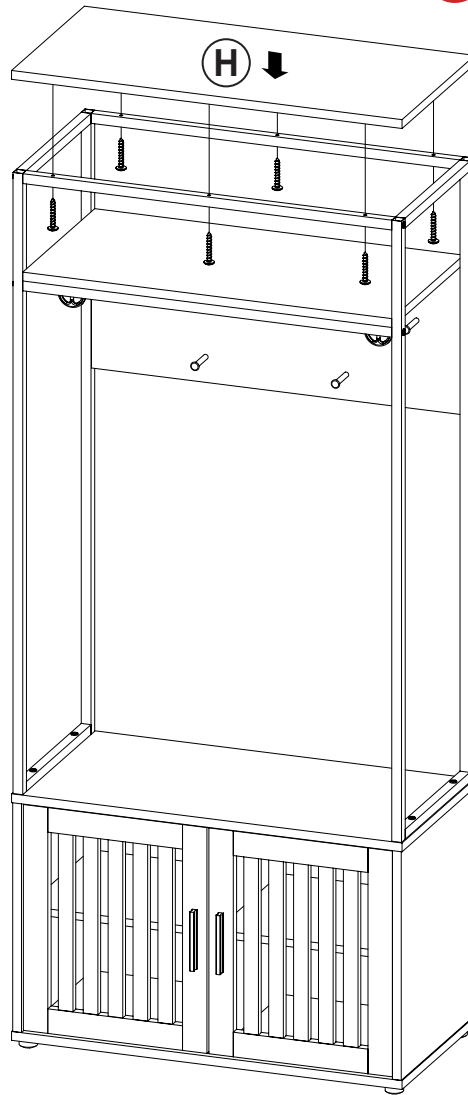
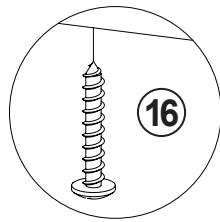
STEP 13



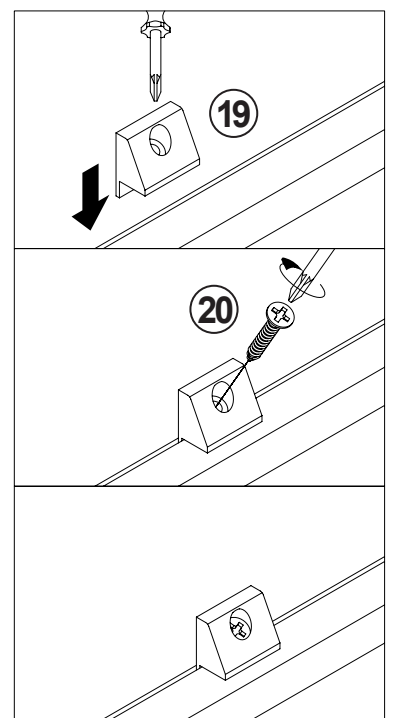
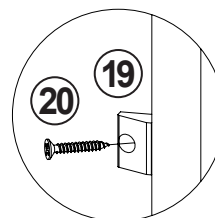
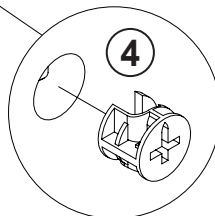
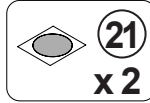
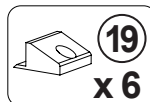
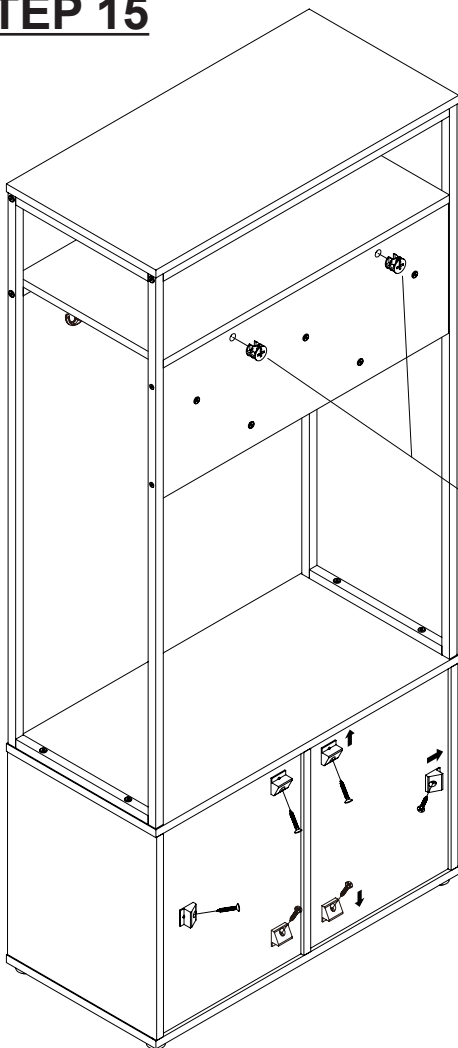
ITEM: 980006

COASTER
FINE FURNITURE

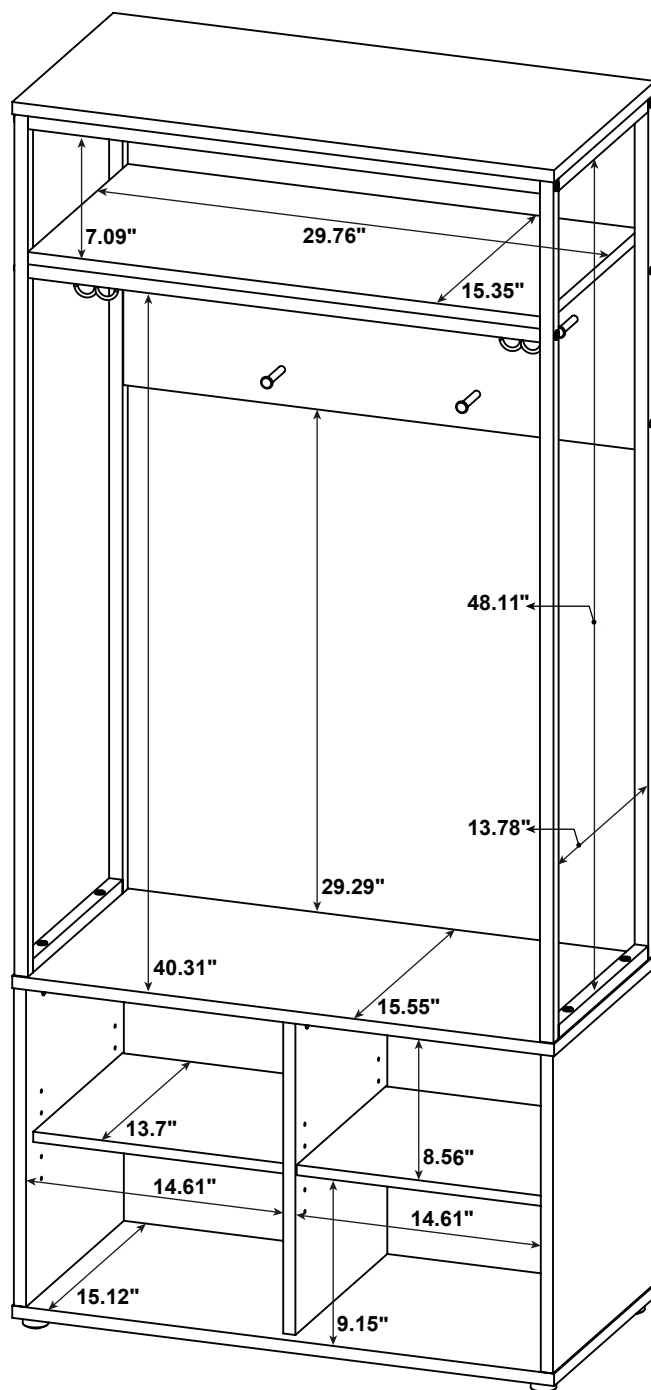
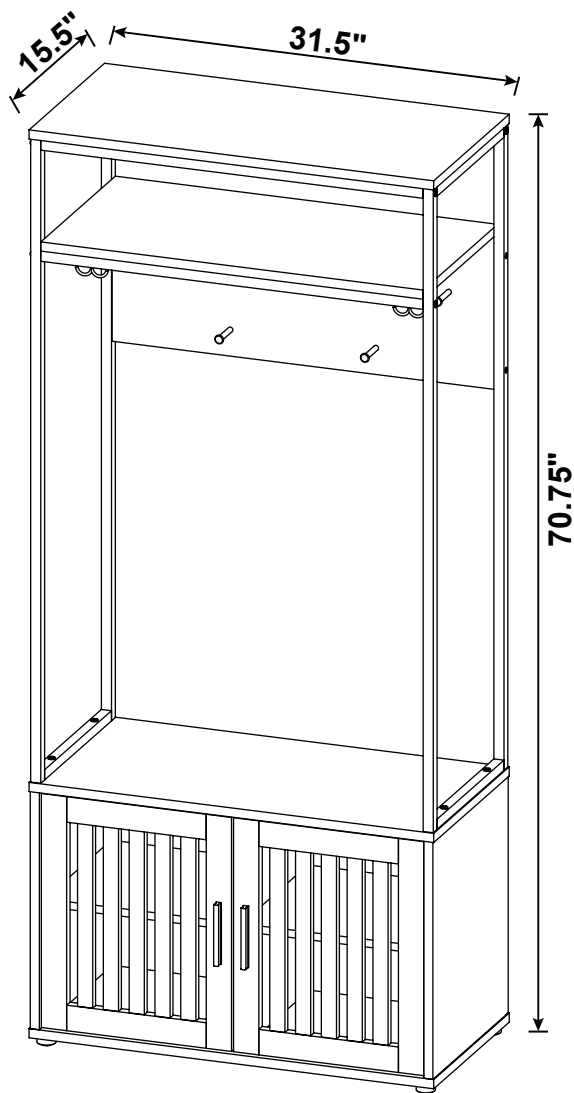
STEP 14



STEP 15



ITEM: 980006



Note : Dimension tolerance $\pm 5\%$

ANTI-TIPPING INSTALLMENT INSTRUCTIONS

FURNITURE TIPPING RESTRAINT

WARNING

Injury may result from tipping furniture.
This restraint may protect against tipping furniture.
Do not allow children to climb on furniture.
This restraint is not a substitute for proper adult supervision.
Failure to detach this restraint before moving the furniture
may result in injury and damage.

1. To attach the anti-tip strap, securely mount one end to the top of the case piece with the 5/8" screw.
2. Position the case piece against the wall in the desired location.
3. Pull the anti-tip strap taut and mark the position of where you will secure the other end on the wall.
4. Drill a 1-1/4" hole in the spot you marked.
5. Tap in plastic wall plug.
6. Fasten anti-tip strap with wall screw provided.

(Please install the anti-tipping kit in the middle of the case piece if only have one set of anti-tipping kit.)

