



ASSEMBLY INSTRUCTIONS COASTER FINE FURNITURE



Fine Furniture for every stage of life

204353
Dresser

REVISION 0 : 02/25/2016
REVISION 1 : 01/09/2020

PAGE 1 OF 5

COASTERFURNITURE.COM

ITEM: **204353**

ASSEMBLY INSTRUCTIONS



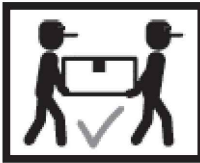
ASSEMBLY TIPS:

- 1 . Remove hardware from box and sort by size.
- 2 . Please check to see that all hardware and parts are present prior to start of assembly.
- 3 . Please follow attached instructions in the same sequence as numbered to assure fast & easy assembly.



WARNING !

- 1 . Don't attempt to repair or modify parts that are broken or defective. Please contact the store immediately.
- 2 . This product is for home use only and not intended for commercial establishment.

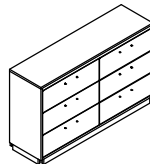


ASSEMBLY TIME

20 MINUTES

PARTS IDENTIFICATION

A DRESSER



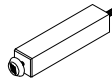
1PC

B LEG



4PCS

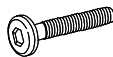
C CENTER SUPPORT LEG



1PC

HARDWARE IDENTIFICATION

1 BOLT
(M6 x 60mm - BLK)



4PCS

3 FLAT WASHER
(1/4" x 20mm - BLK)



4PCS

2 LOCK WASHER
(1/4" - BLK)



4PCS

4 ALLEN WRENCH
(M4 x 65mm - BLK)



1PC

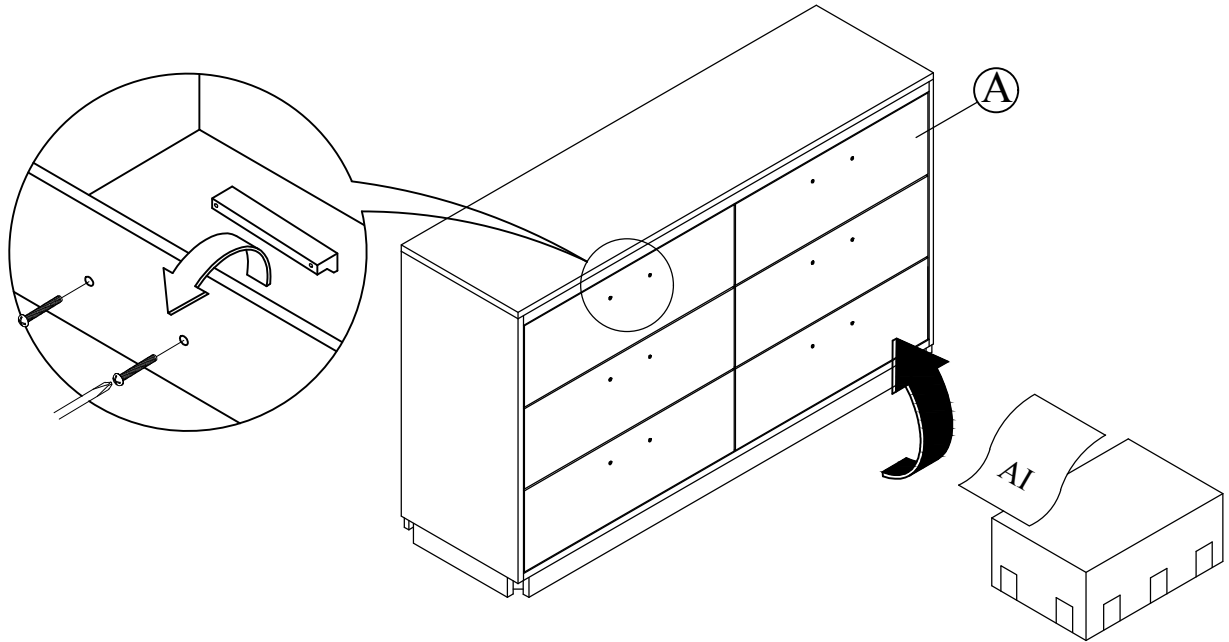
NOTE:

Philips head screw driver in the assembly process ; however, manufacturer does not provide the item

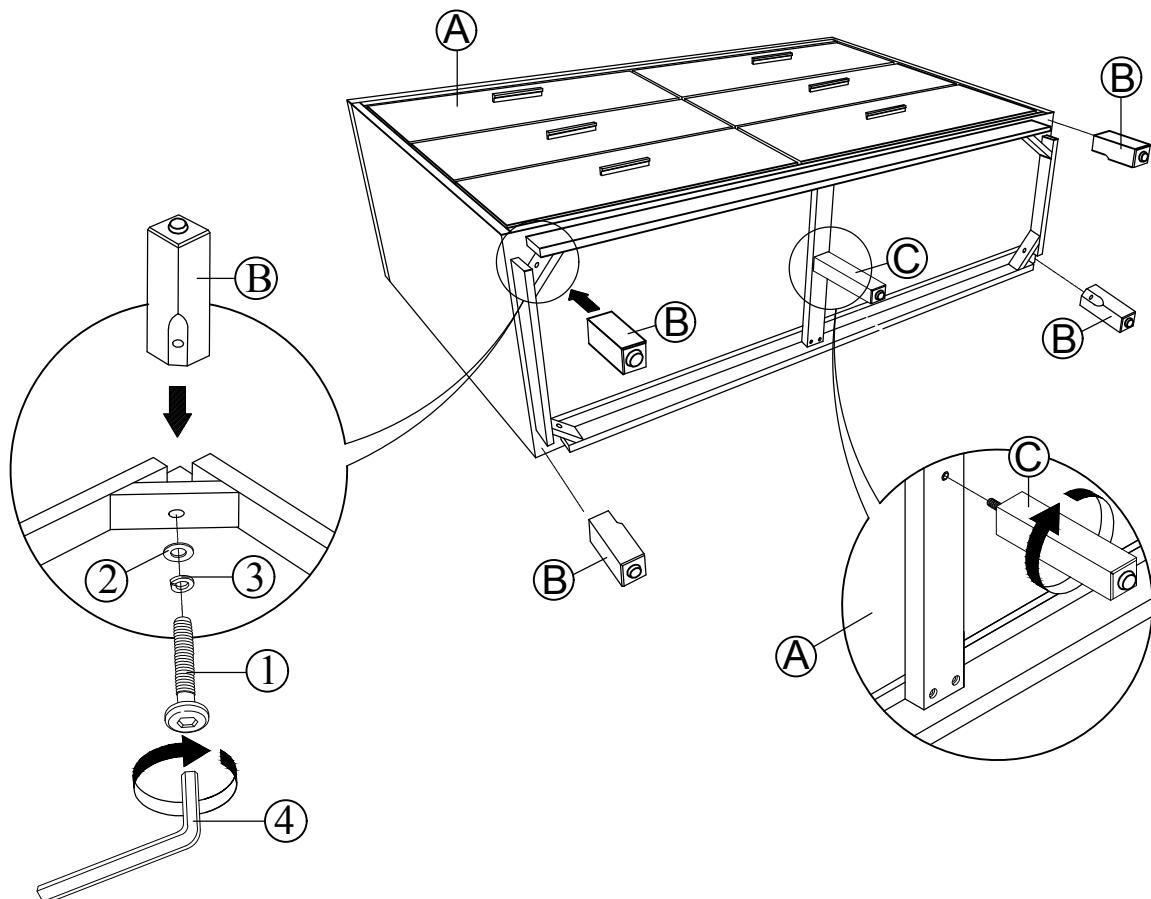
ITEM: **204353**
ASSEMBLY INSTRUCTIONS



STEP 1



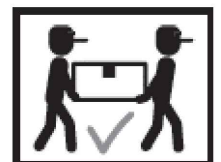
STEP 2



ITEM: **204353**
ASSEMBLY INSTRUCTIONS



STEP 3
COMPLETE



ITEM: **204353**

ANTI-TIPPING INSTALLMENT INSTRUCTIONS FURNITURE TIPPING RESTRAINT



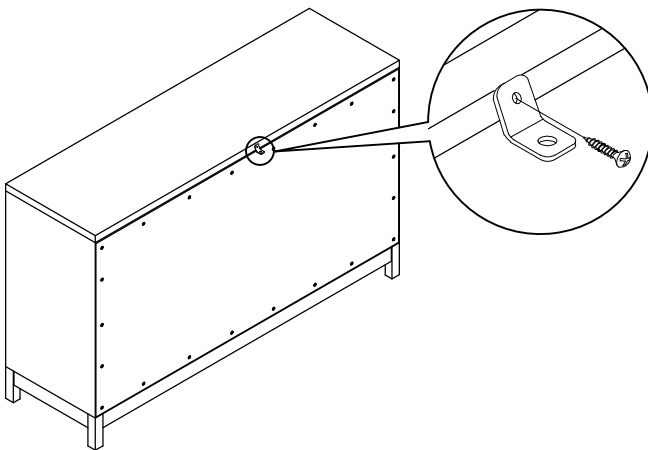
WARNING

Injury may result from tipping furniture.
This restraint may protect against tipping furniture.
Do not allow children to climb on furniture.
This restraint is not a substitute for proper adult supervision.
Failure to detach this restraint before moving the furniture may result in injury and damage.

This tip restraint must be attached to a wall stud using long screw enclosed.

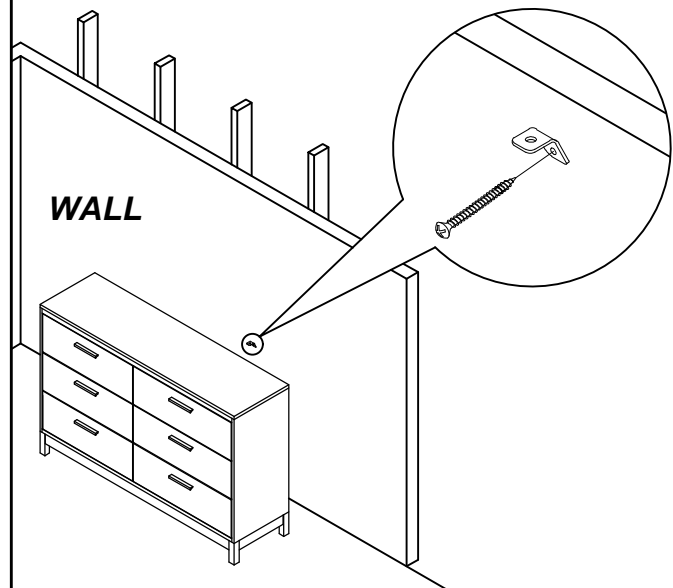
STEP 1

Attach a bracket securely to the back top rail of the dresser using short screw provided, through the smaller hole.



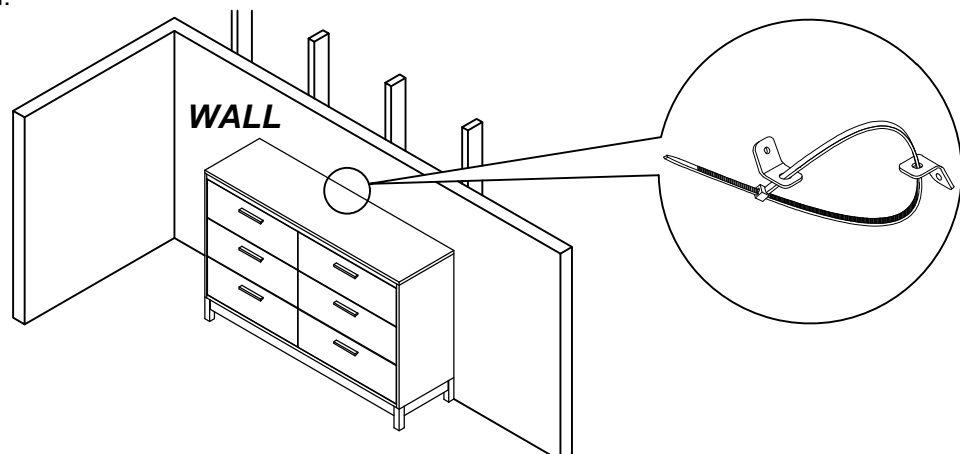
STEP 2

Locate the other bracket on the wall over a wall stud and two inches below the mounting bracket secured to the back of dresser. Attached to the wall stud using the long screw provided, through the smaller hole.



STEP 3

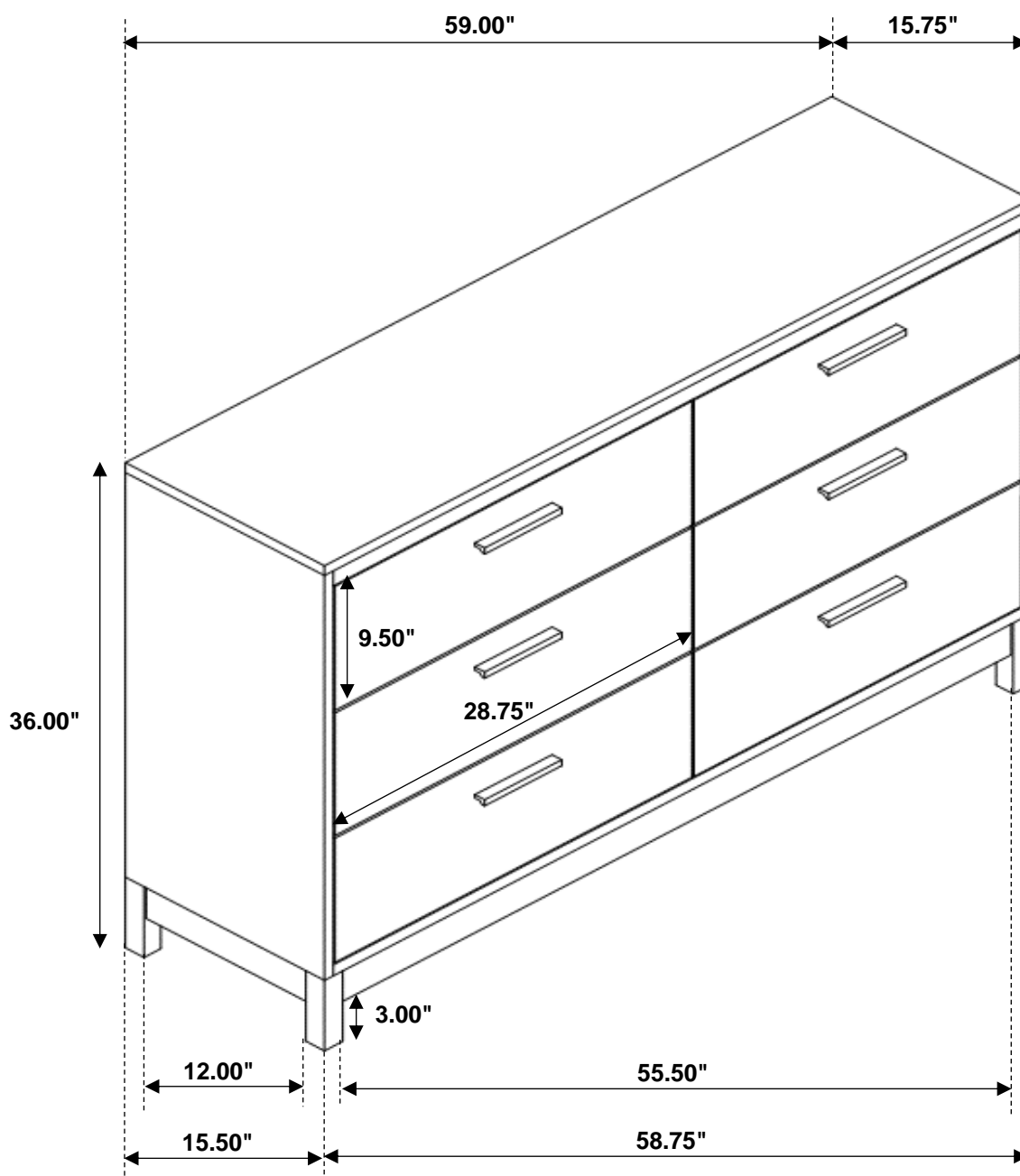
Place the dresser into position so both mounting brackets are vertically in line. Lace the end of the restraint strap through the larger hole in each mounting bracket. Bring both ends together and slide the flat end through the locking end and draw it through until all slack is removed. Confirm that the strap is securely laced and locked.



ITEM: **204353**



Inner Size of Drawer : 25.25"W X 12.50"D X 6.00"H X 0.50"T



Note : Dimension tolerance $\pm 5\%$