



ASSEMBLY INSTRUCTIONS COASTER FINE FURNITURE



Fine Furniture for every stage of life

204355
Chest

REVISION 0 : 02/25/2016
REVISION 1 : 01/09/2020

PAGE 1 OF 5

COASTERFURNITURE.COM

ITEM: 204355

ASSEMBLY INSTRUCTIONS



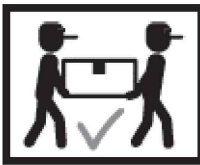
ASSEMBLY TIPS:

- 1 . Remove hardware from box and sort by size.
- 2 . Please check to see that all hardware and parts are present prior to start of assembly.
- 3 . Please follow attached instructions in the same sequence as numbered to assure fast & easy assembly.



WARNING !

- 1 . Don't attempt to repair or modify parts that are broken or defective. Please contact the store immediately.
- 2 . This product is for home use only and not intended for commercial establishment.

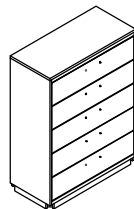


ASSEMBLY TIME

20 MINUTES

PARTS IDENTIFICATION

A CHEST



1PC

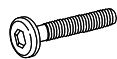
B LEG



4PCS

HARDWARE IDENTIFICATION

1 BOLT
(M6 x60mm - BLK)



4PCS

3 FLAT WASHER
(1/4" x20mm - BLK)



4PCS

2 LOCK WASHER
(1/4" - BLK)



4PCS

4 ALLEN WRENCH
(M4 x 65mm - BLK)



1PC

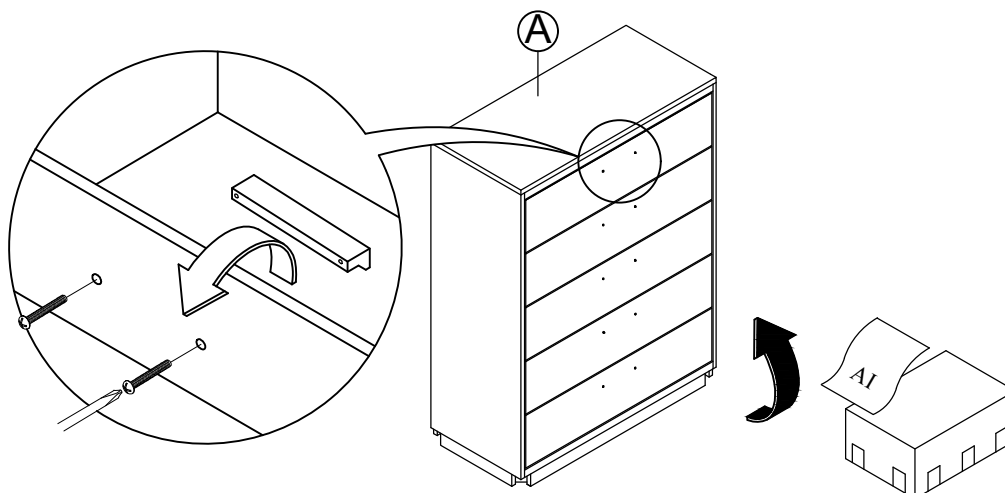
NOTE:

Philips head screw driver in the assembly process ; however, manufacturer does not provide the item

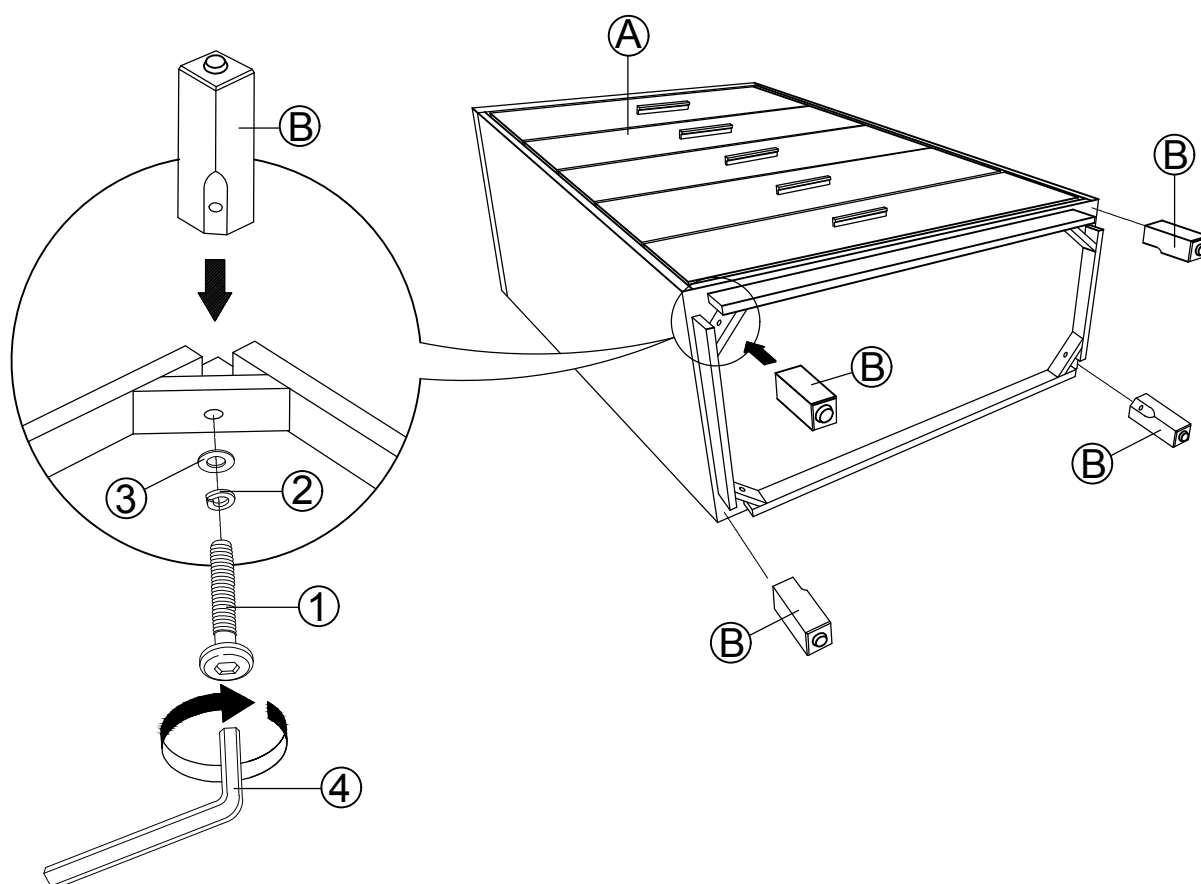
ITEM: **204355**
ASSEMBLY INSTRUCTIONS



STEP 1



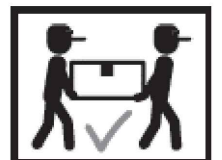
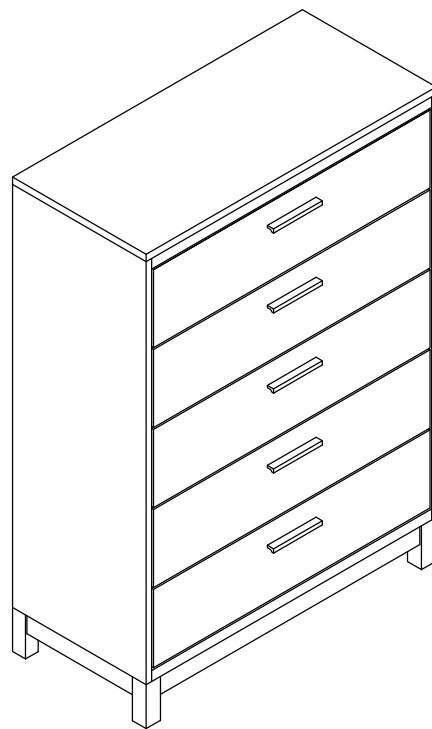
STEP 2



ITEM: **204355**
ASSEMBLY INSTRUCTIONS



STEP 3
COMPLETE



ITEM: **204355**



ANTI-TIPPING INSTALLMENT INSTRUCTIONS FURNITURE TIPPING RESTRAINT

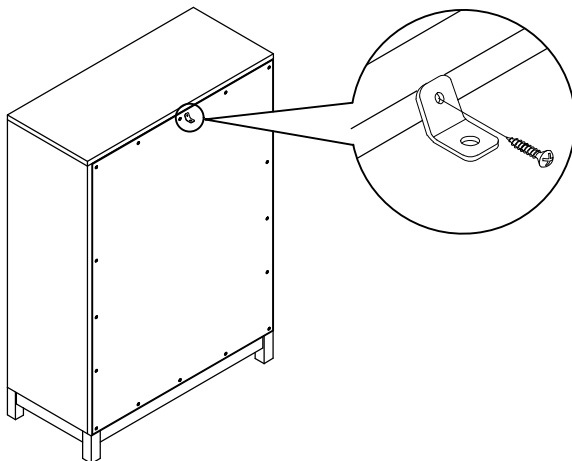
WARNING

Injury may result from tipping furniture.
This restraint may protect against tipping furniture.
Do not allow children to climb on furniture.
This restraint is not a substitute for proper adult supervision.
Failure to detach this restraint before moving the furniture may result in injury and damage.

This tip restraint must be attached to a wall stud using long screw enclosed.

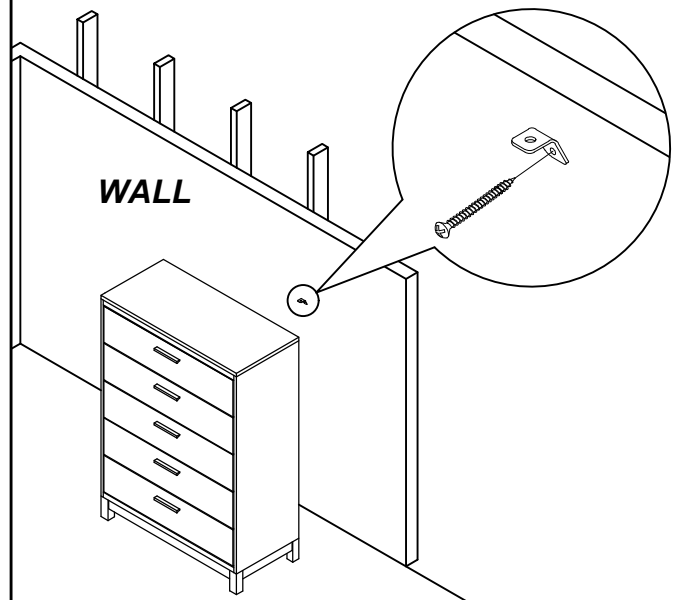
STEP 1

Attach a bracket securely to the back top rail of the chest using short screw provided, through the smaller hole.



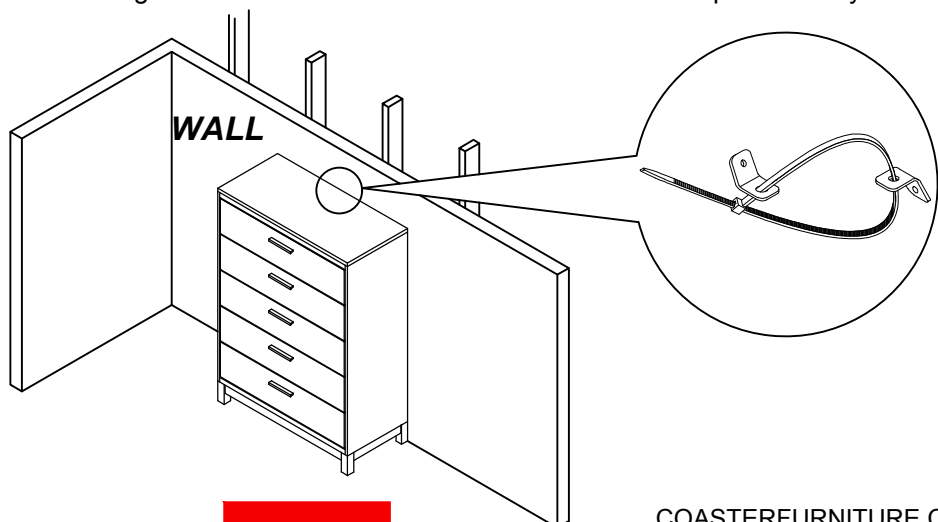
STEP 2

Locate the other bracket on the wall over a wall stud and two inches below the mounting bracket secured to the back of chest. Attached to the wall stud using the long screw provided, through the smaller hole.



STEP 3

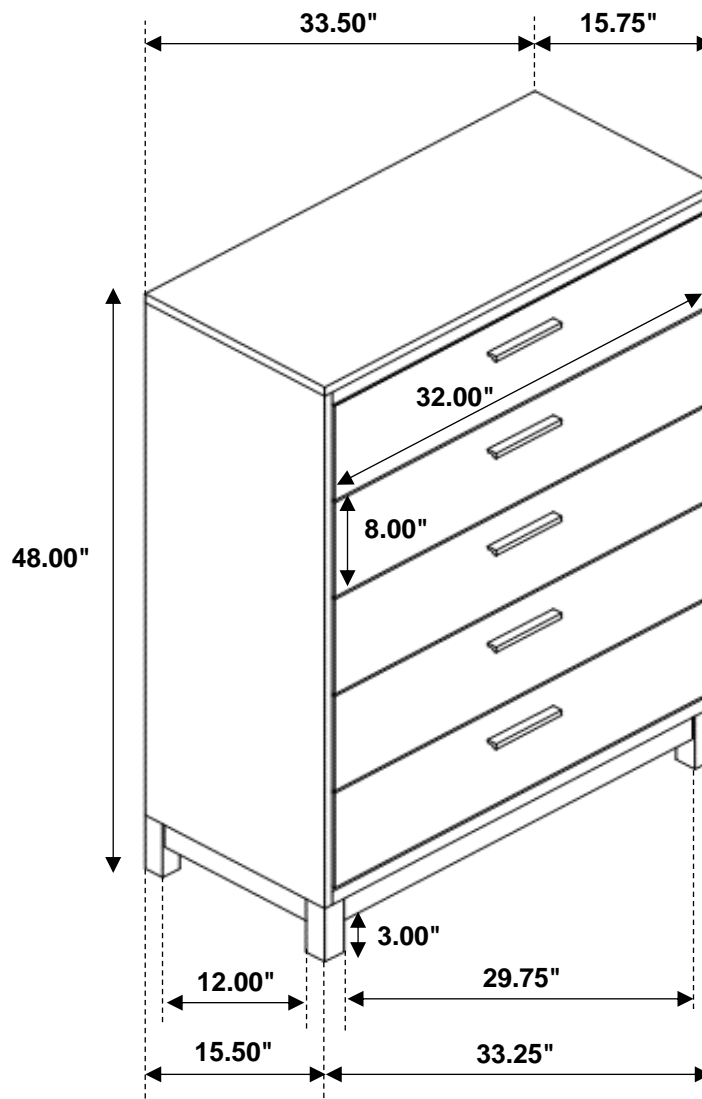
Place the chest into position so both mounting brackets are vertically in line. Lace the end of the restraint strap through the larger hole in each mounting bracket. Bring both ends together and slide the flat end through the locking end and draw it through until all slack is removed. Confirm that the strap is securely laced and locked.



ITEM: **204355**



Inner Size of Drawer : 28.25"W X 12.50"D X 5.00"H X 0.50"T



Note : Dimension tolerance $\pm 5\%$