



ASSEMBLY INSTRUCTIONS
COASTER FINE FURNITURE



Fine Furniture for every stage of life

100205
BARSTOOL

REVISION 0 : 06/16/2020
REVISION 1 : 09/15/2020
REVISION 2 : 08/01/2022

PAGE 1 OF 3

COASTERFURNITURE.COM

ITEM :100205 ASSEMBLY INSTRUCTIONS



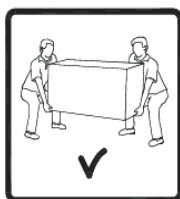
ASSEMBLY TIPS:

1. Remove hardware from box and sort by size.
2. Please check to see that all hardware and parts are present prior to start of assembly.
3. Please follow attached instructions in the same sequence as numbered to assure fast & easy assembly.



Warning!




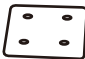

1. Don't attempt to repair or modify parts that are broken or defective. Please contact the store immediately.
2. This product is for home use only and not intended for commercial establishments.










ASSEMBLY TIME

5 MINUTES

PARTS IDENTIFICATION

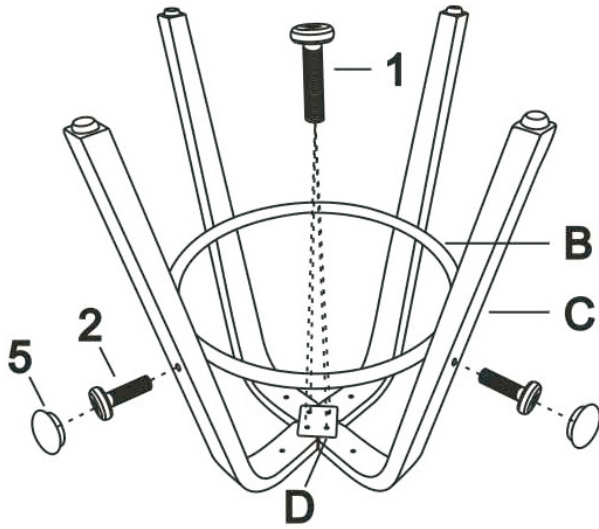
| | PART NAME | FIGURE | QTY |
|---|--------------|--|------|
| A | SEAT |  | 1 PC |
| B | FOOT REST |  | 1 PC |
| C | LEG |  | 4 PC |
| D | METAL PLATE |  | 1 PC |
| E | SWIVEL PLATE |  | 1 PC |

HARDWARE IDENTIFICATION

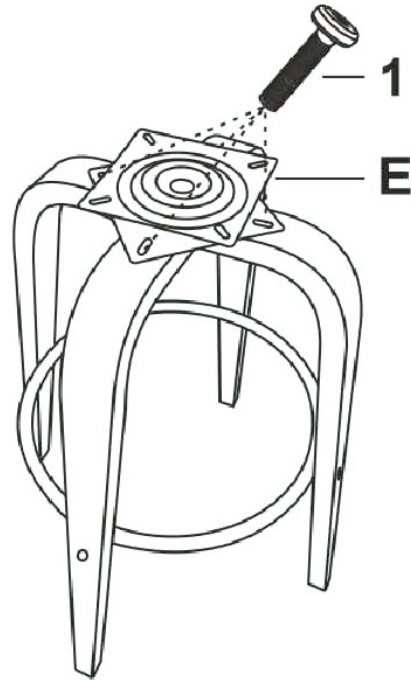
| | HARDWARE NAME | FIGURE | QTY |
|---|-----------------|---|------|
| 1 | BOLTS M6x30MM |  | 9PCS |
| 2 | BOLTS M6x25MM |  | 5PCS |
| 3 | BOLTS M6x20MM |  | 3PCS |
| 4 | BOLTS M6x16MM |  | 3PCS |
| 5 | PLASTIC CAP |  | 4PCS |
| 6 | RUBER WASHER |  | 2PCS |
| 7 | ALLEN WRENCH M5 |  | 1 PC |

ITEM :100205
ASSEMBLY INSTRUCTIONS

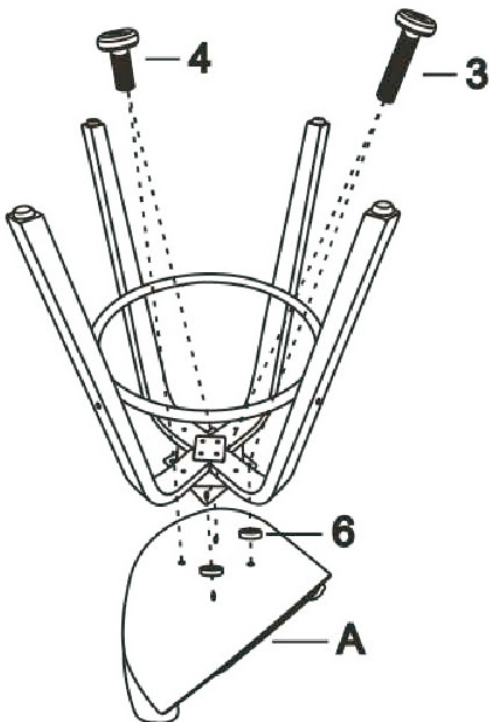
STEP1



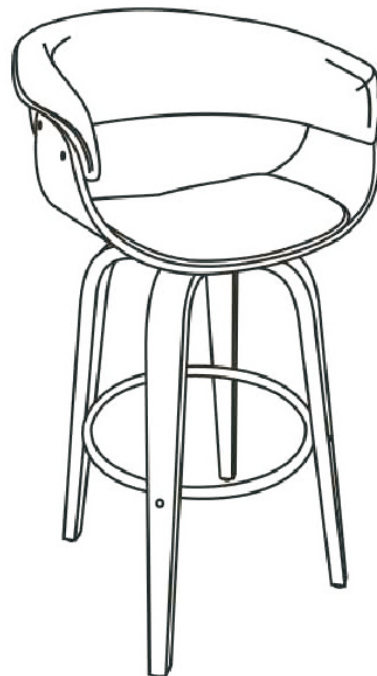
STEP2



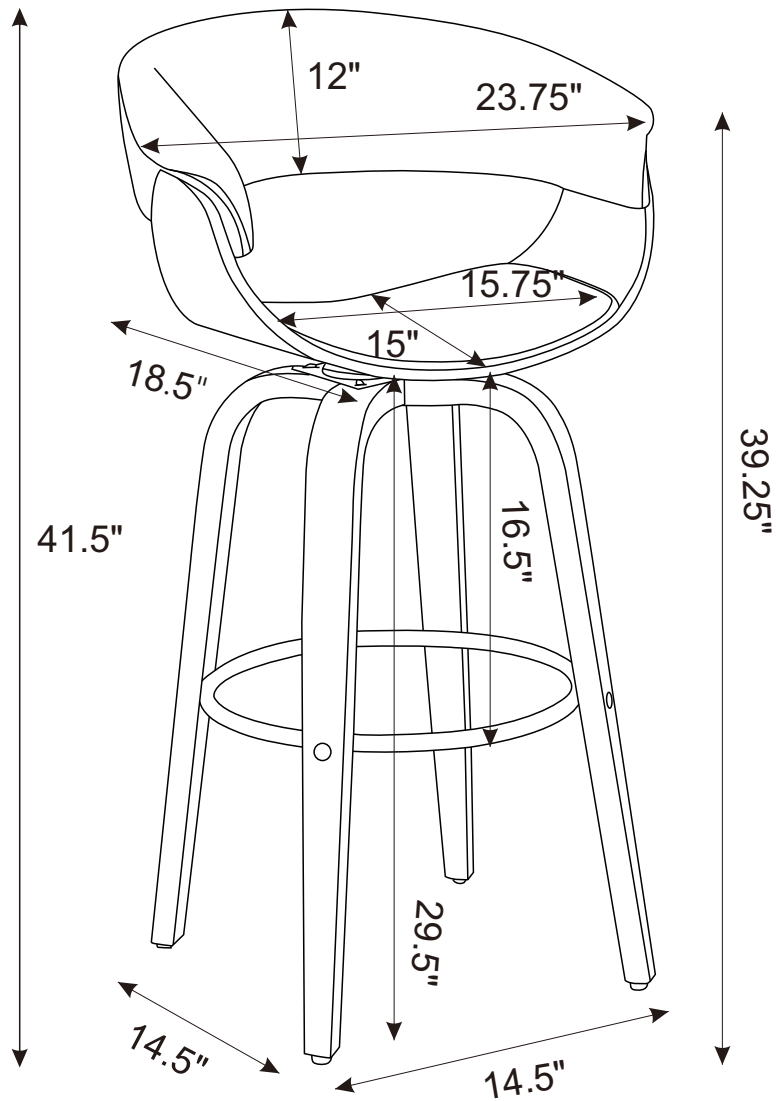
STEP3



STEP4



ITEM :100205
ASSEMBLY INSTRUCTIONS



Note:Dimension tolerance±5%