



*ASSEMBLY INSTRUCTIONS*  
*COASTER FINE FURNITURE*



*Fine Furniture for every stage of life*

**121752**

**DINING CHAIR**

REVISION 0 : 07/04/2019

REVISION 1 : 27/03/2020

REVISION 2 : 27/07/2022

**PAGE 1 OF 4**

[COASTERFURNITURE.COM](http://COASTERFURNITURE.COM)

ITEM: **121752**



## ASSEMBLY INSTRUCTIONS

### ASSEMBLY TIPS:

1. Remove hardware from box and sort by size.
2. Please check to see that all hardware and parts are present prior to start of assembly.
3. Please follow attached instructions in the same sequence as numbered to assure fast & easy assembly.



### WARNING!

1. Don't attempt to repair or modify parts that are broken or defective. Please contact the store immediately.
2. This product is for home use only and not intended for commercial establishments.



**ASSEMBLY TIME**

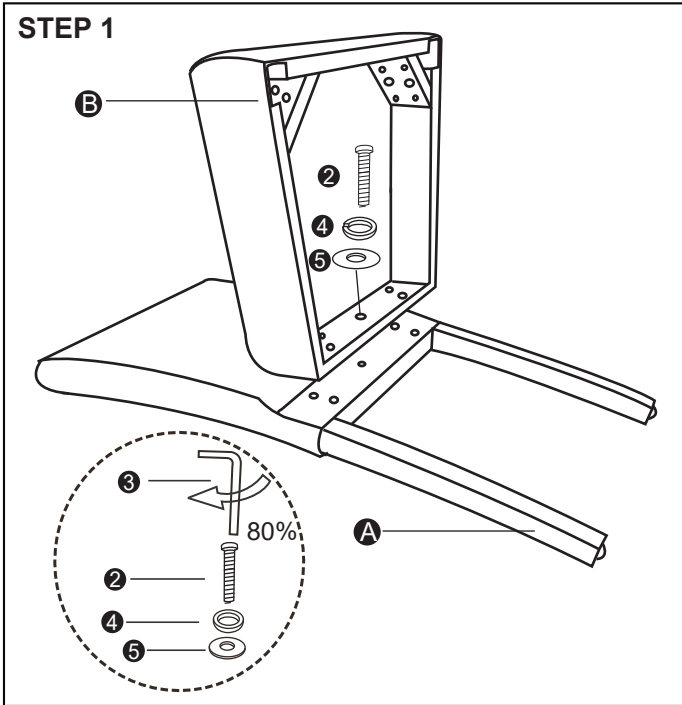
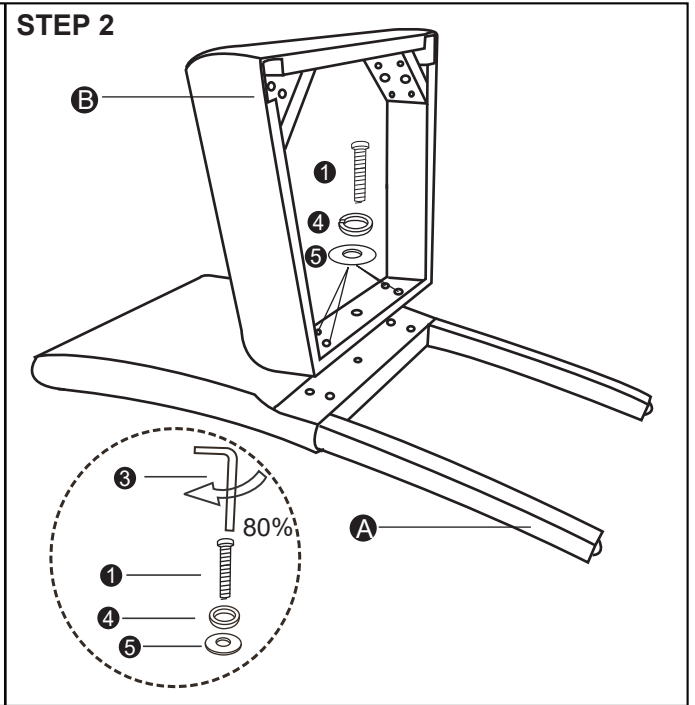
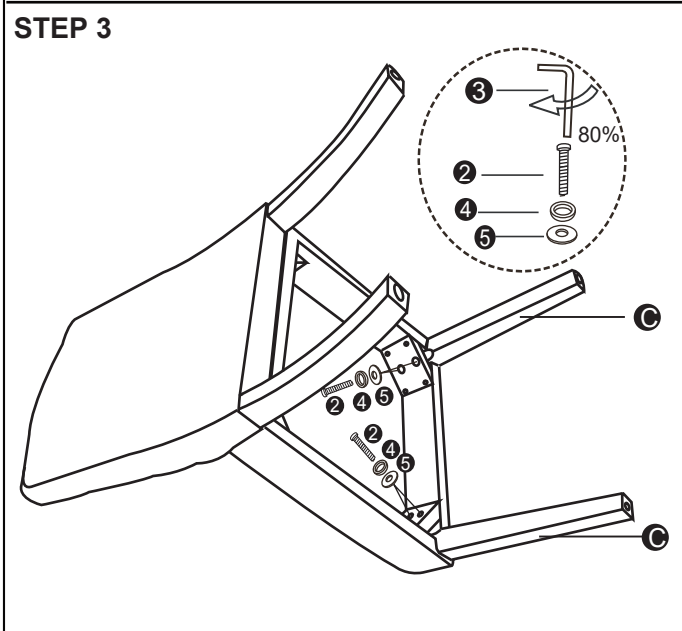
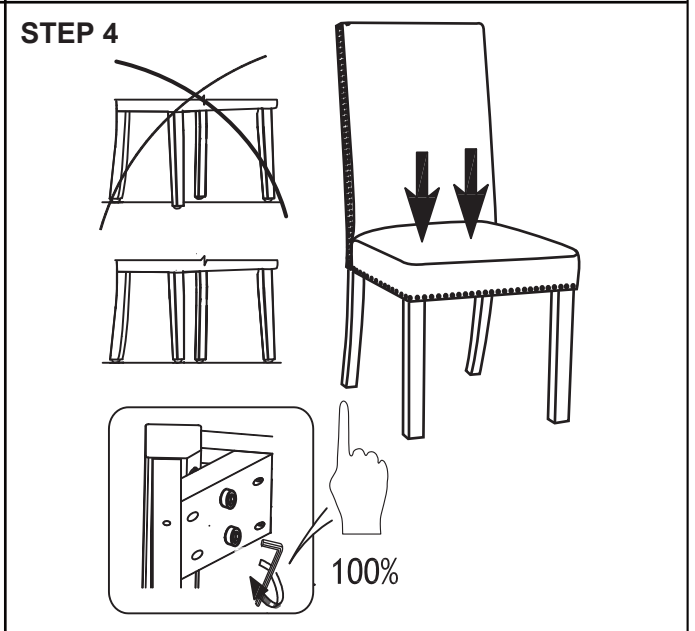
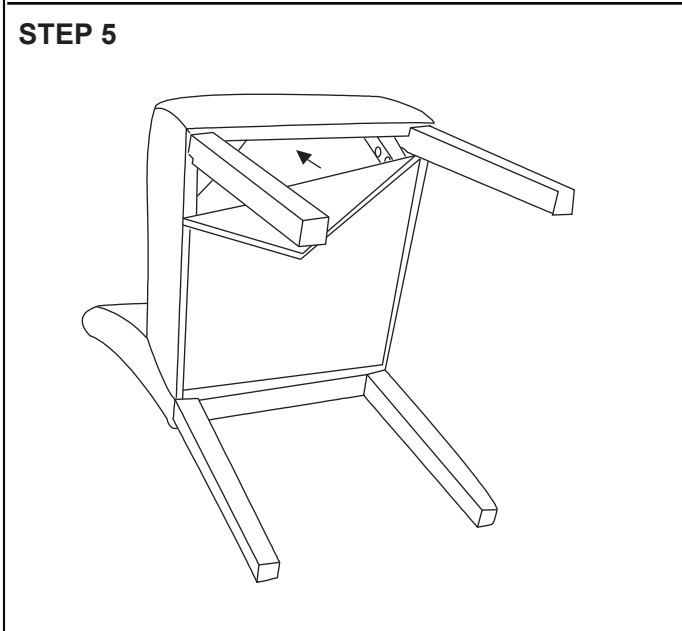
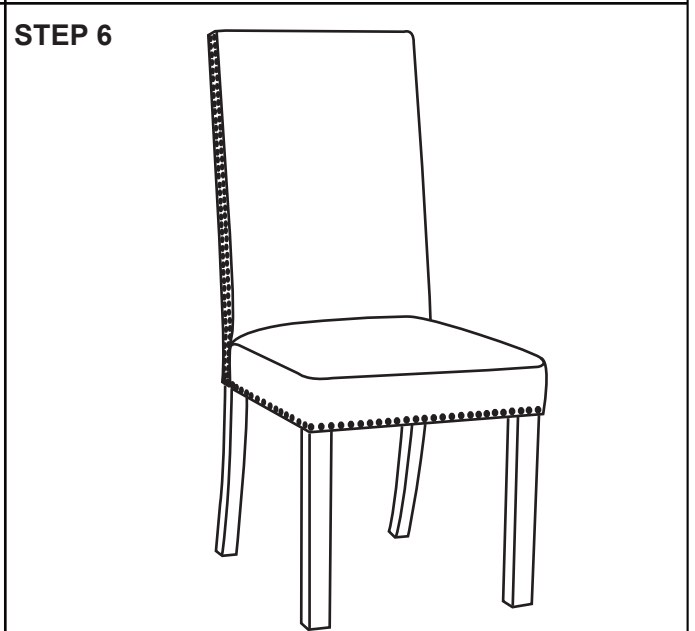
**10 MINUTES**

## PARTS IDENTIFICATION

A		BACK	1PC
B		SEAT CUSHION	1PC
C		FRONT LEGS	2PCS

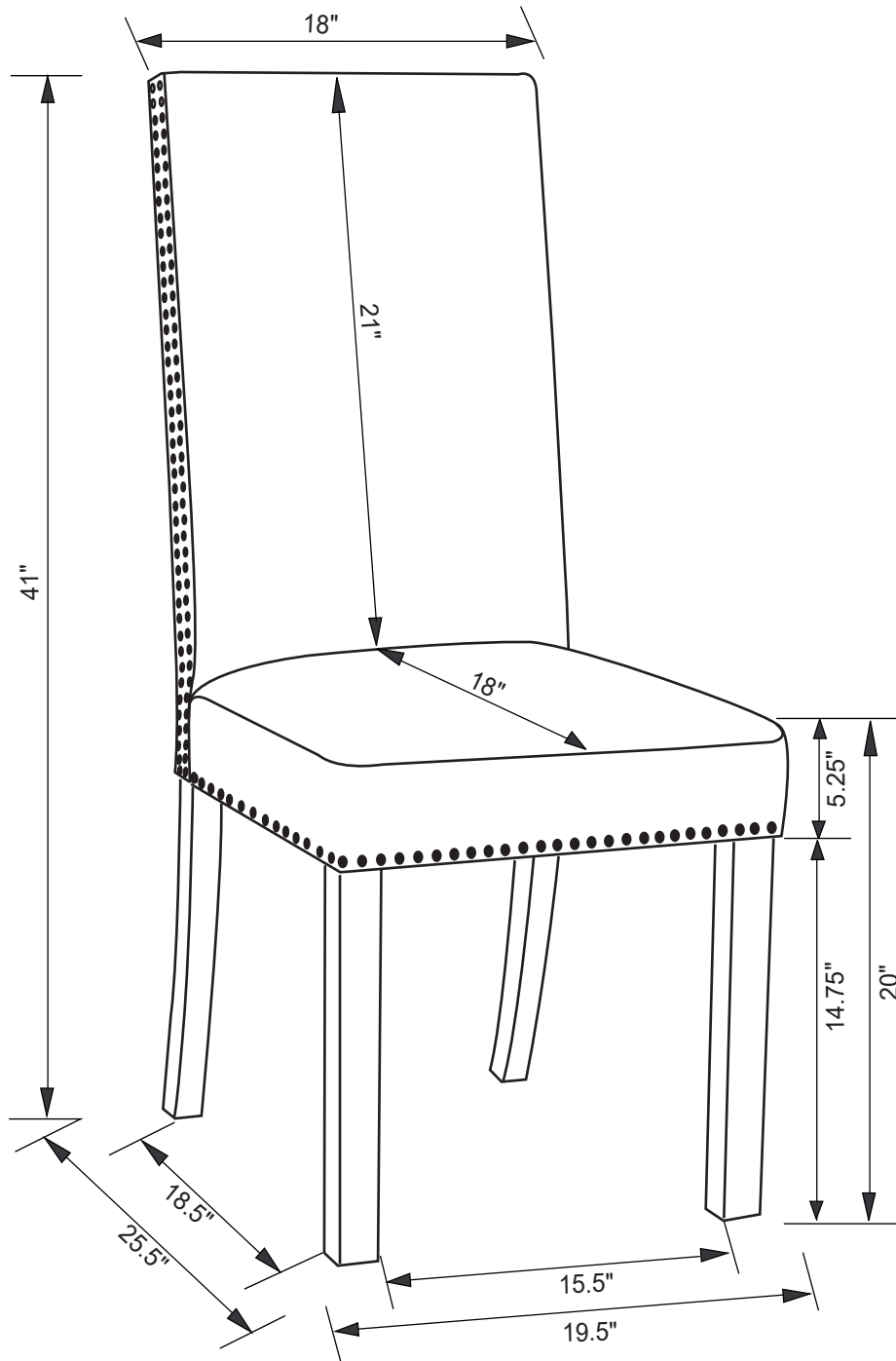
## HARDWARE IDENTIFICATION

1		LARGE BOLT (M8×75mm)	4PCS
2		SMALL BOLT (M8×60mm)	5PCS
3		ALLEN KEY (M8)	1PC
4		LOCK WASHER (Φ8)	9PCS
5		FLAT WASHER (Φ8)	9PCS

<p><b>STEP 1</b></p> 	<p><b>STEP 2</b></p> 
<p><b>STEP 3</b></p> 	<p><b>STEP 4</b></p> 
<p><b>STEP 5</b></p> 	<p><b>STEP 6</b></p> 

ITEM: 121752

**ASSEMBLY INSTRUCTIONS**



**Note :** Dimension tolerance  $\pm 5\%$