



*ASSEMBLY INSTRUCTIONS*  
*COASTER FINE FURNITURE*



Fine Furniture for every stage of life

130504  
BARSTOOL

REVISION 0 : 06/16/2020  
REVISION 1 : 09/15/2020  
REVISION 2 : 08/01/2022

PAGE 1 OF 3

COASTERFURNITURE.COM

# ITEM :130504

## ASSEMBLY INSTRUCTIONS



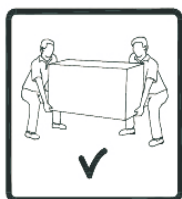
### ASSEMBLY TIPS:

1. Remove hardware from box and sort by size.
2. Please check to see that all hardware and parts are present prior to start of assembly.
3. Please follow attached instructions in the same sequence as numbered to assure fast & easy assembly.



#### Warning!

1. Don't attempt to repair or modify parts that are broken or defective. Please contact the store immediately.
2. This product is for home use only and not intended for commercial establishments.



ASSEMBLY TIME	5 MINUTES
---------------	-----------

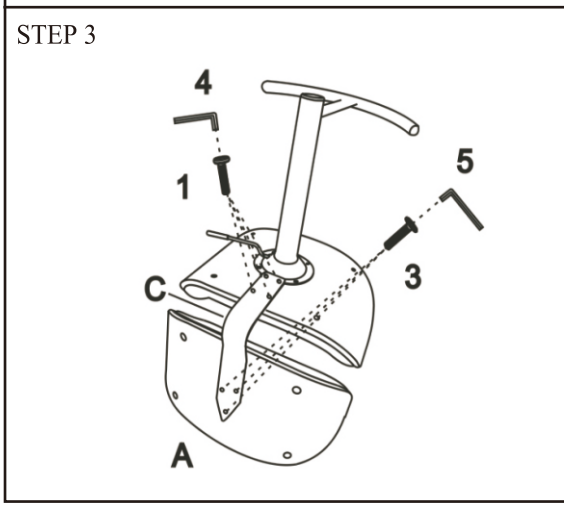
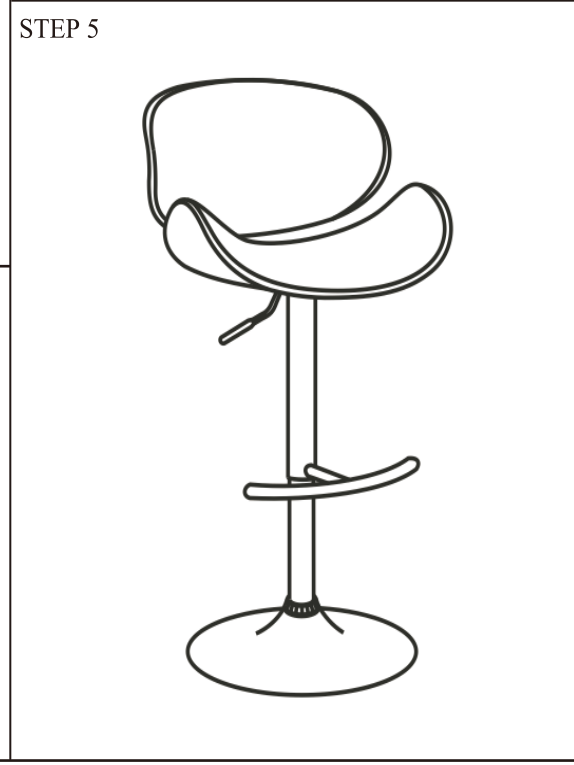
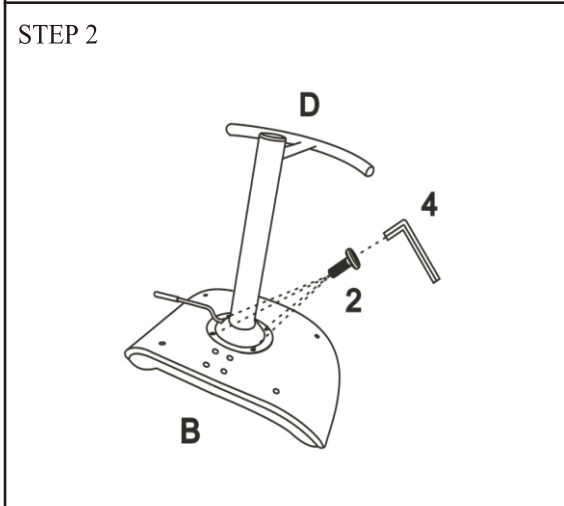
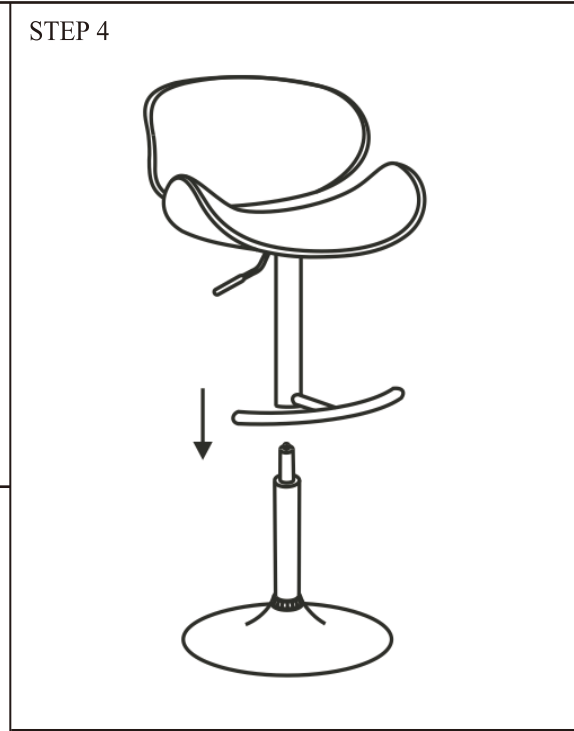
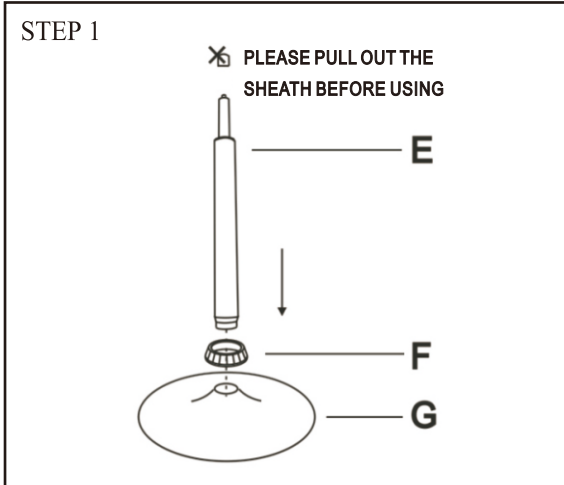
## PARTS IDENTIFICATION

	PART NAME	FIGURE	QTY		PART NAME	FIGURE	QTY
A	BACK		1PC	F	COVER RING		1PC
B	SEAT		1PC	G	BASE		1PC
C	BACK SUPPORT		1PC				
D	FOOT REST		1PC				
E	GAS CYLINDER		1PC				

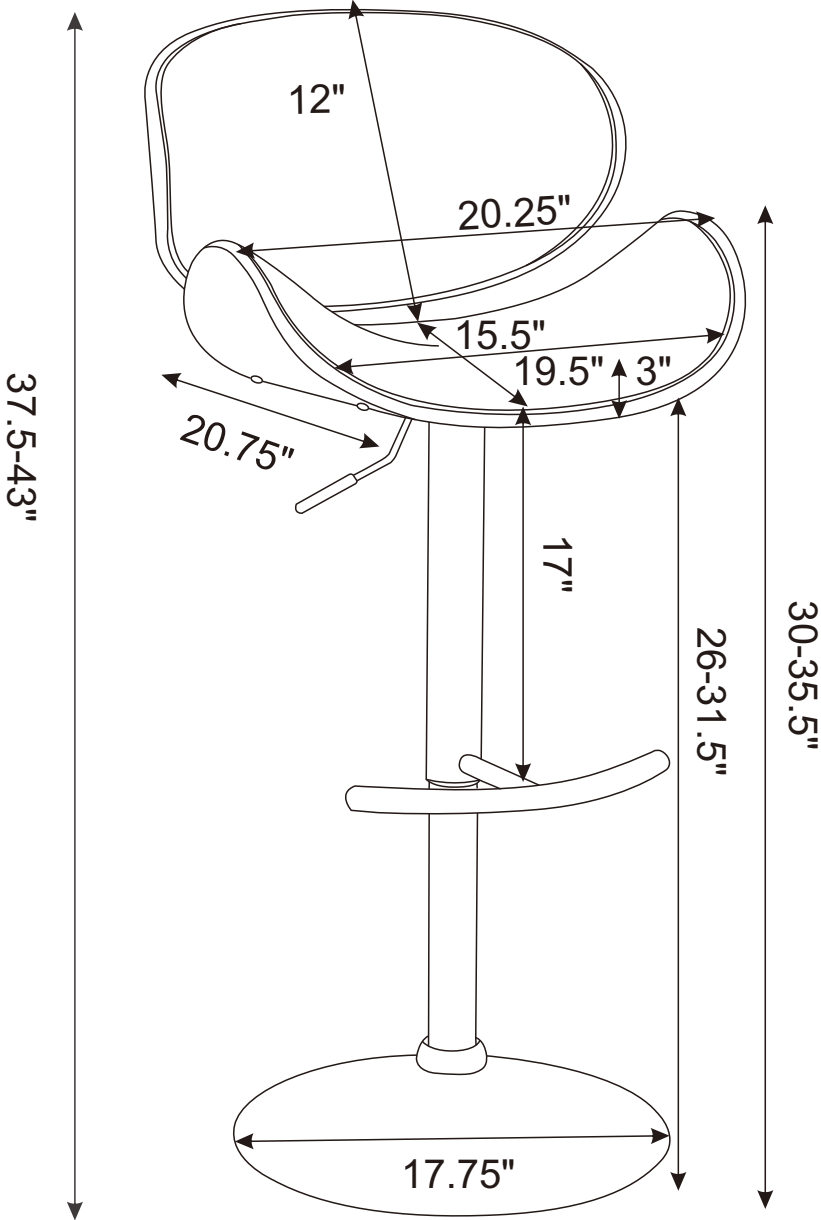
## HARDWARE IDENTIFICATION

	HARDWARE NAME	FIGURE	QTY
1	BOLTS M6x20MM		4PC
2	BOLTS M6x16MM		4PC
3	BOLTS M6x20 MM		3PC
4	ALLEN WRENCH M5		1PC
5	ALLEN WRENCH M4		1PC

# ITEM :130504 ASSEMBLY INSTRUCTIONS



**ITEM :130504  
ASSEMBLY INSTRUCTIONS**



**Note:Dimension tolerance±5%**