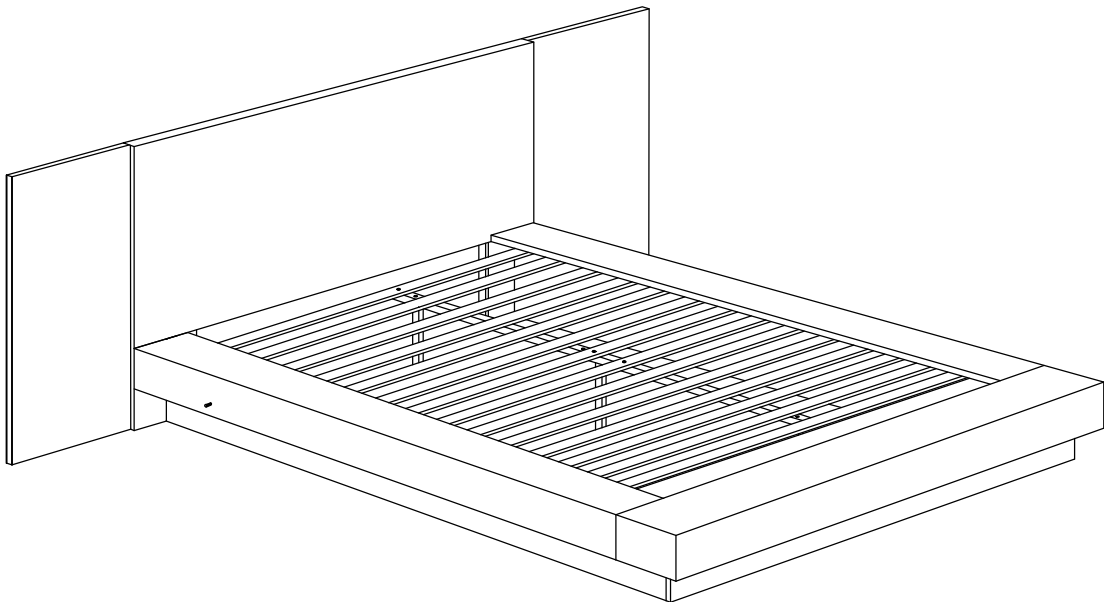


# ASSEMBLY INSTRUCTIONS COASTER FINE FURNITURE



*Fine Furniture for every stage of life*

## 200710 Elevation Platform Side Panel

REVISION 0 : 05/14/2008  
REVISION 1 : 12/04/2012  
REVISION 2 : 08/09/2017  
REVISION 3 : 09/11/2018  
REVISION 4 : 12/02/2019

ITEM: **200710**



## ASSEMBLY INSTRUCTIONS

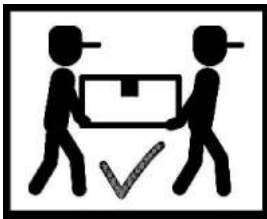
### ASSEMBLY TIPS:

1. Remove hardware from box and sort by size.
2. Please check to see that all hardware and parts are present prior to start of assembly.
3. Please follow attached instructions in the same sequence as numbered to assure fast & easy assembly.



### WARNING!

1. Don't attempt to repair or modify parts that are broken or defective. Please contact the store immediately.
2. This product is for home use only and not intended for commercial establishments.

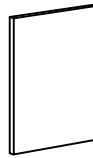


ASSEMBLY TIME

15 MINUTES

## PARTS IDENTIFICATION

A HEADBOARD  
EXTENSION PANEL



2PCS

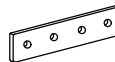
## HARDWARE IDENTIFICATION

1 FLAT HEAD SCREW  
(M4 x 20mm - BLK)



16PCS

2 METAL PLATE  
(3 x 25 x 150mm - BLK)



4PCS

### NOTE:

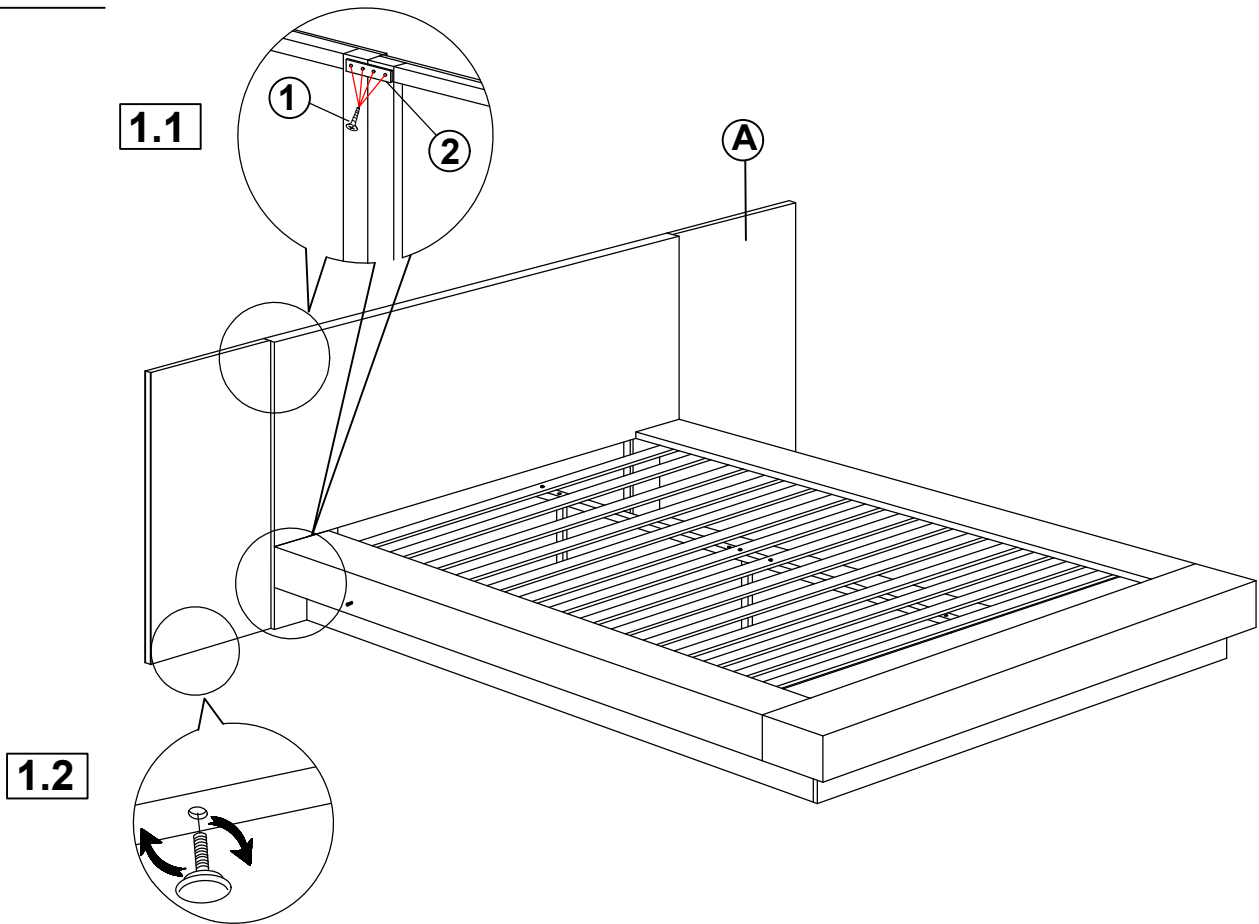
Phillips head screw driver is required in the assembly process; however, manufacturer does not provide this item.

ITEM: **200710**

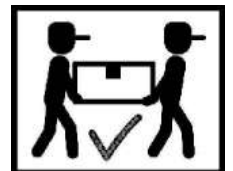
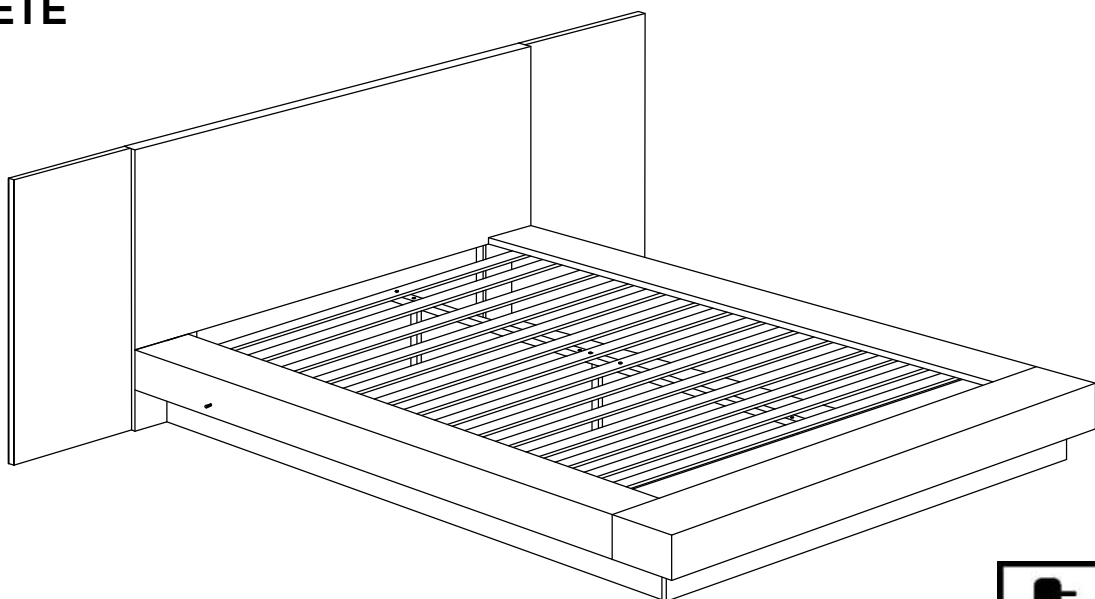


# ASSEMBLY INSTRUCTIONS

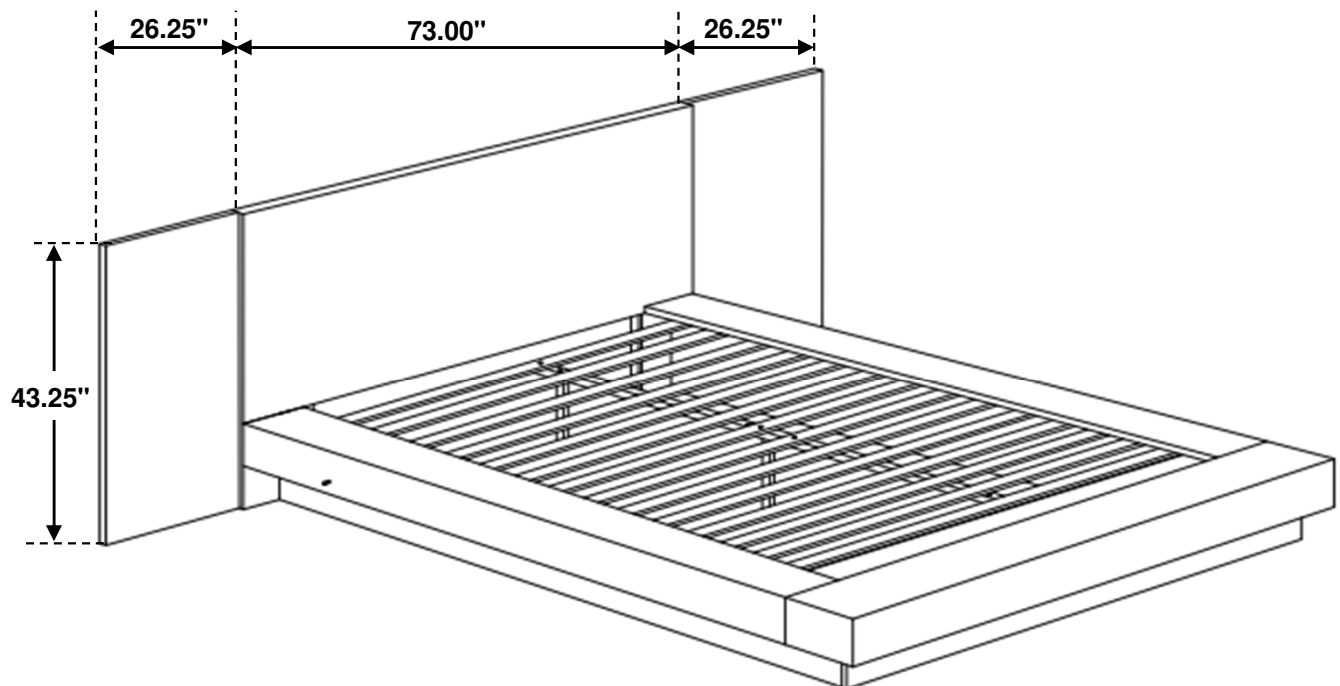
## STEP 1



## STEP 2 COMPLETE



ITEM: **200710**



**Note : Dimension tolerance  $\pm 5\%$**