



*ASSEMBLY INSTRUCTIONS
COASTER FINE FURNITURE*



Fine Furniture for every stage of life

509899
Sectional

ITEM: 509899B1

ASSEMBLY INSTRUCTIONS



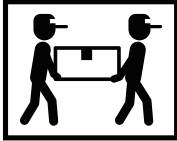
ASSEMBLY TIPS:

1. Remove hardware from box and sort by size.
2. Please check to see that all hardware and parts are present prior to start of assembly.
3. Please follow attached instructions in the same sequence as numbered to assure fast & easy assembly.



WARNING!

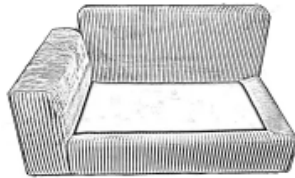
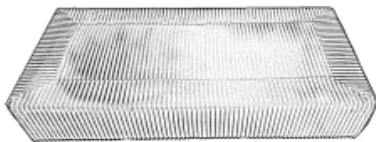
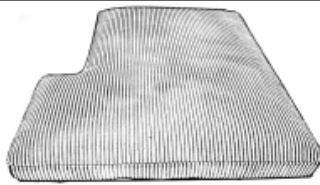
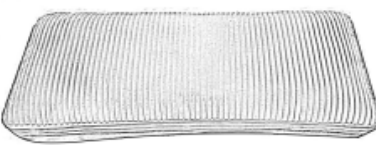
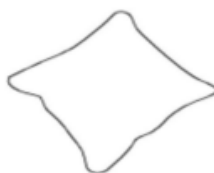
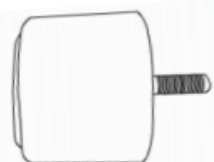
1. Don't attempt to repair or modify parts that are broken or defective. Please contact the store immediately.
2. This product is for home use only and not intended for commercial establishments.



ASSEMBLY TIME

8 MINUTES

PARTS IDENTIFICATION

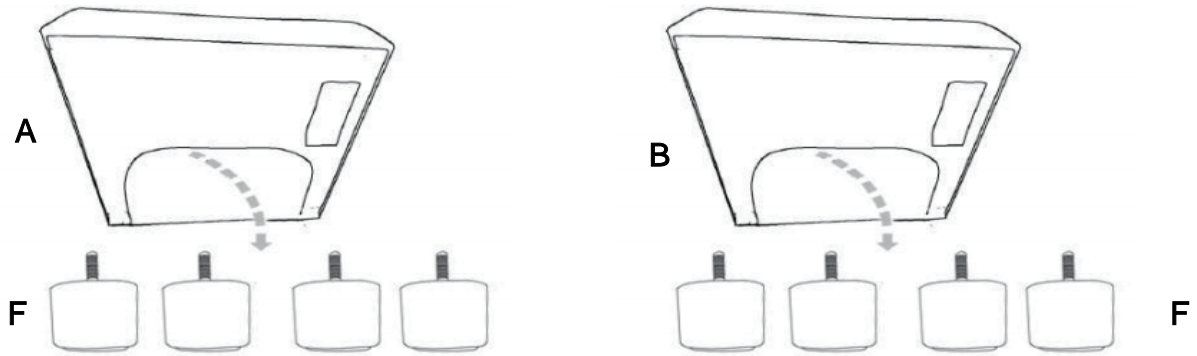
B1	PART NAME	FIGURE	QUANTITY
A	LAF LOVESEAT BASE		1PC
B	CHAISE BASE		1PC
C	CHAISE SEAT CUSHION		1PC
D	LOVESEAT BACK CUSHION		1PC
E	PILLOW (3pcs located in B1; 3pcs located in B2)		6PCS
F	LEG		8PCS

ITEM: 509899B1

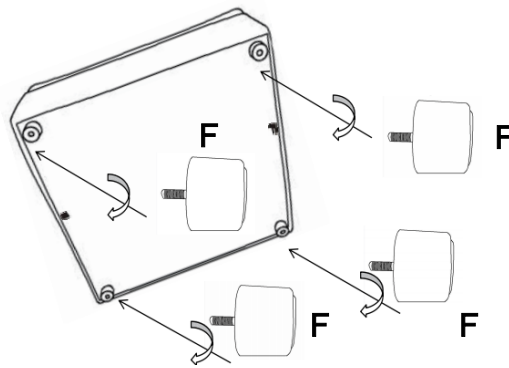


ASSEMBLY INSTRUCTIONS

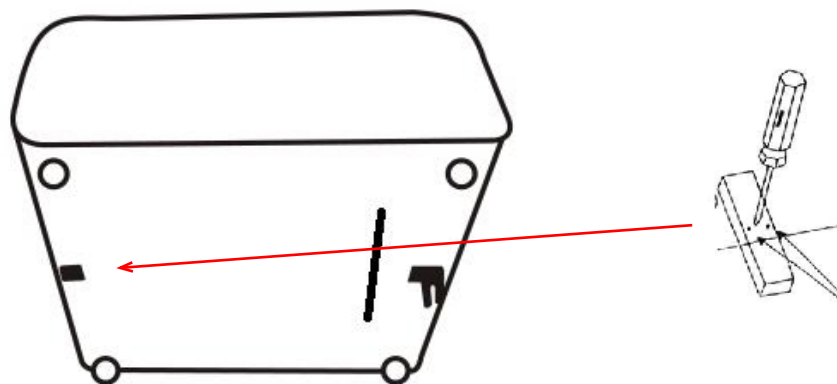
STEP 1 Turn over the item and take out the legs from zippered pouch



STEP 2 Install the legs as pictures show

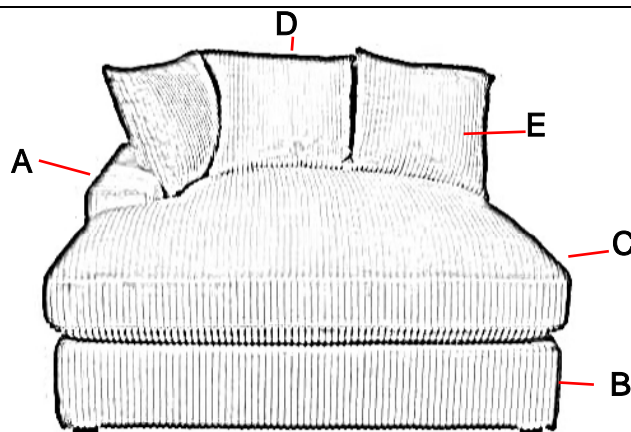


STEP 3 Please remove the wood block with screwdriver, do not use a hammer



STEP 4

COMPLETE



ITEM: 509899B2

ASSEMBLY INSTRUCTIONS



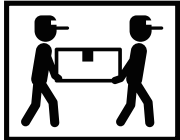
ASSEMBLY TIPS:

1. Remove hardware from box and sort by size.
2. Please check to see that all hardware and parts are present prior to start of assembly.
3. Please follow attached instructions in the same sequence as numbered to assure fast & easy assembly.

WARNING!



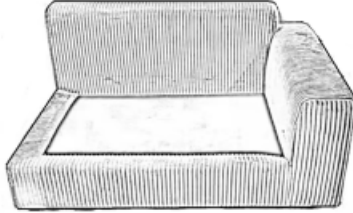
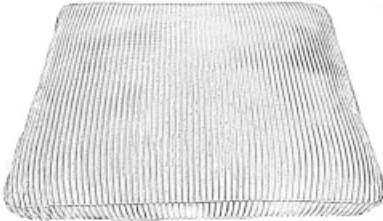
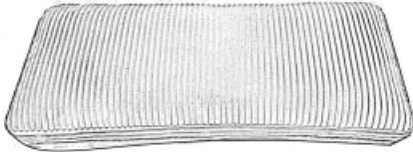
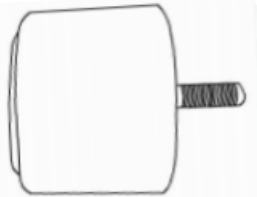
1. Don't attempt to repair or modify parts that are broken or defective. Please contact the store immediately.
2. This product is for home use only and not intended for commercial establishments.



ASSEMBLY TIME

8 MINUTES

PARTS IDENTIFICATION

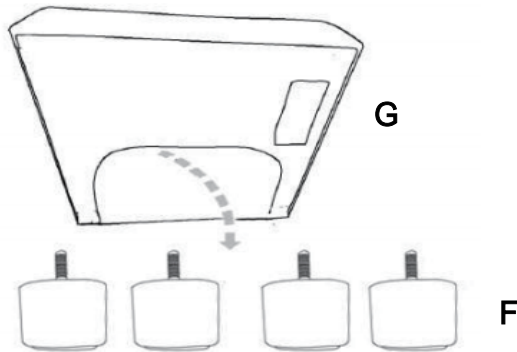
B2	PART NAME	FIGURE	QUANTITY
G	RAF LOVESEAT BASE		1PC
H	LOVESEAT SEAT CUSHION		1PC
D	LOVESEAT BACK CUSHION		1PC
F	LEG		4PCS

ITEM: 509899B2

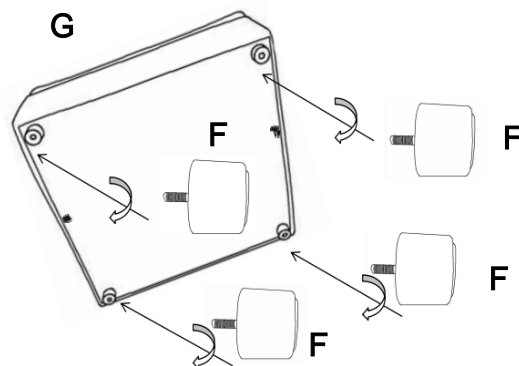


ASSEMBLY INSTRUCTIONS

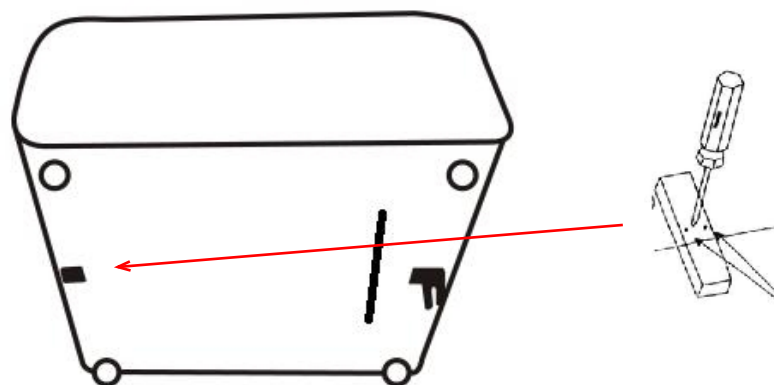
STEP 5 Turn over the item and take out the legs from zippered pouch



STEP 6 Install the legs as pictures show

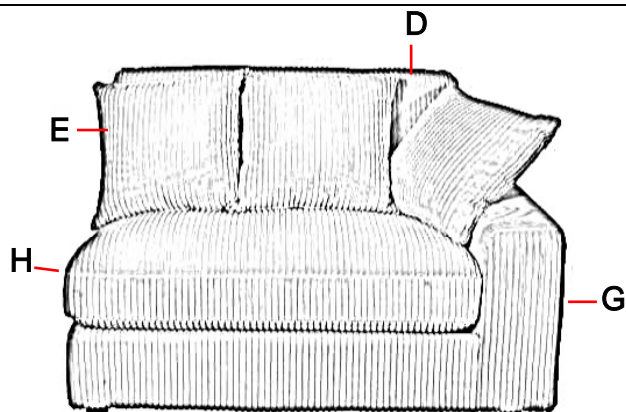


STEP 7 Please remove the wood block with screwdriver, do not use a hammer



STEP 8

COMPLETE

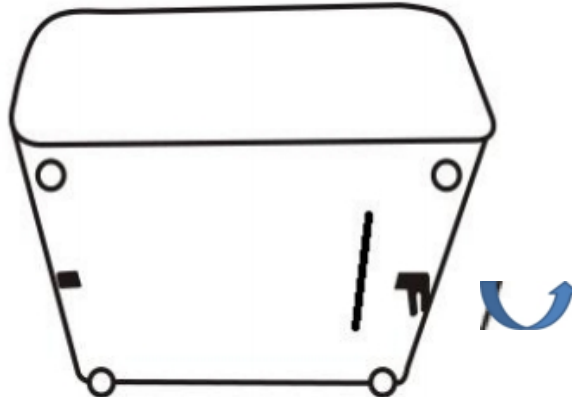


ITEM: 509899

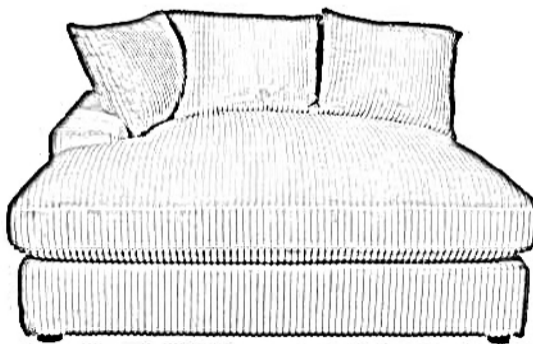
ASSEMBLY INSTRUCTIONS



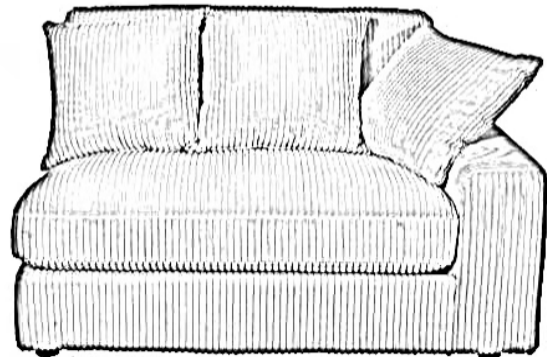
STEP 9 Rotate the metal clips



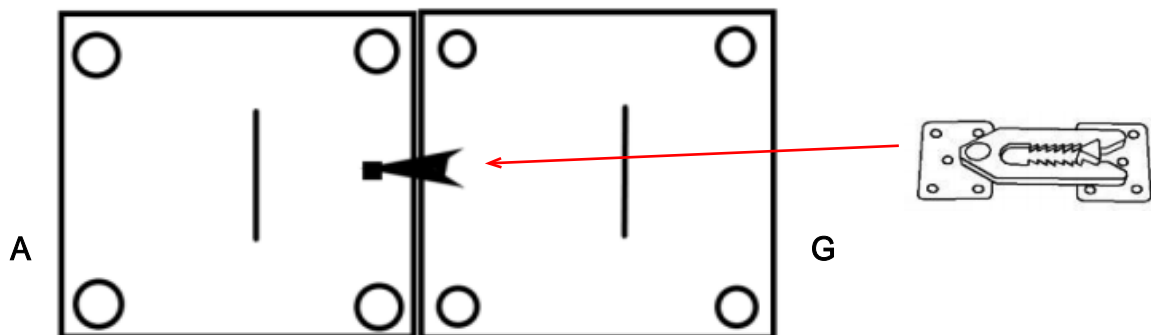
STEP 10 Put the chaise and loveseat closer
509899B1



509899B2



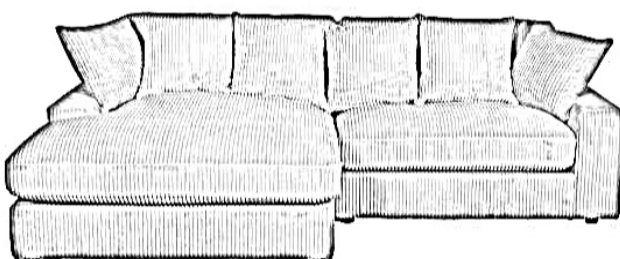
STEP 11 Insert the metal clips to connect other units as pictures show



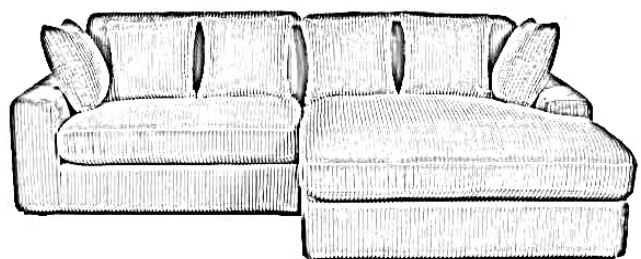
STEP 12

COMPLETE

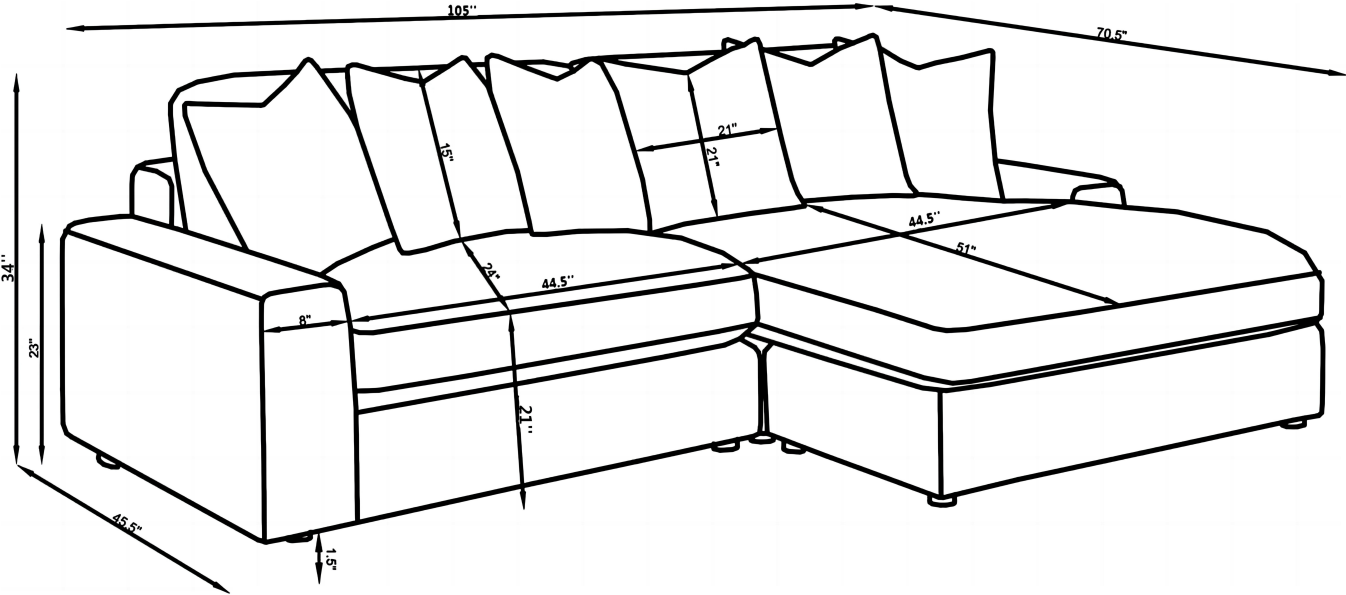
OPTION1



OPTION2



ITEM: 509899



Note : Dimension tolerance $\pm 5\%$

