

ASSEMBLY INSTRUCTIONS
COASTER FINE FURNITURE



Fine Furniture for every stage of life

1243

FLOOR LAMP

REVISION 0:05/07/2019
REVISION 1:01/05/2021
REVISION 2:12/01/2022
REVISION 3:04/26/2023
REVISION 4:07/18/2023

PAGE 1 OF 4

ITEM :1243



Assembly Instructions

ASSEMBLY TIPS:












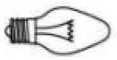




1. Remove hardware from box and sort by size.
2. Please check to see that all hardware and parts are present prior to start of assembly.
3. Please follow attached instructions in the same sequence as numbered to assure fast & easy assembly.

Warning!



1. Don't attempt to repair or modify parts that are broken or defective. Please contact the store immediately.
2. This product is for home use only and not intended for commercial establishments.

PARTS IDENTIFICATION

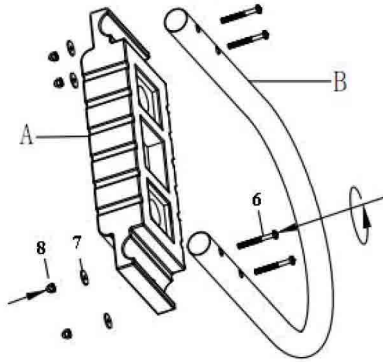
NO	DESCRIPTION	FIGURE	Q,TY	H	HARDWARE PACKAGE	FIGURE	Q,TY
A	Clump weight		1 PC				
B	U Tube		1 PC	1	FLAT WASHER		1PC
C	POLE		1 PC	2	SPRING WASHER		1PC
D	ARM		1 PC	3	NUT		1PC
E	SHADE		1 PC	4	SCREW		1PC
				5	HOOLLOW SCREW		1PC
				6	Cross Head Screw		4PCS
F	LIGHT BULB		1 PC	7	Washer		4PCS
				8	Nut With Cap		4PCS
G	SOCKET RING		1 PC	9	WRENCH		1PC

ITEM :1243

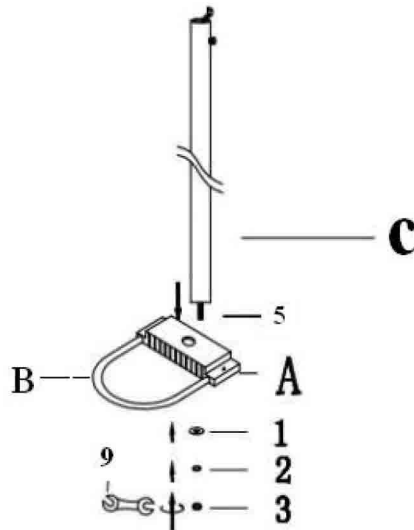


Assembly Instructions

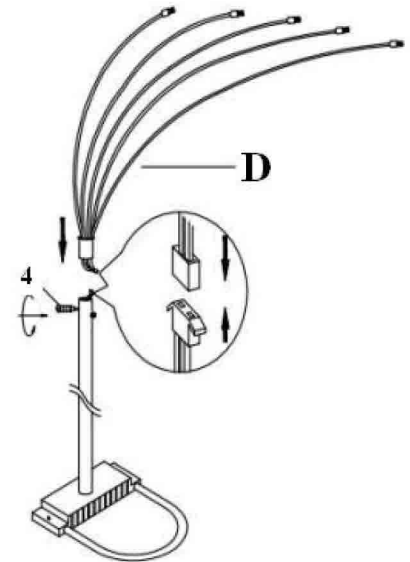
STEP1



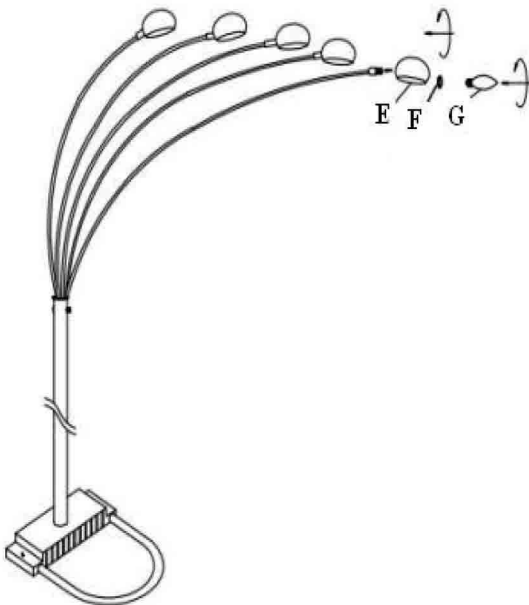
STEP2



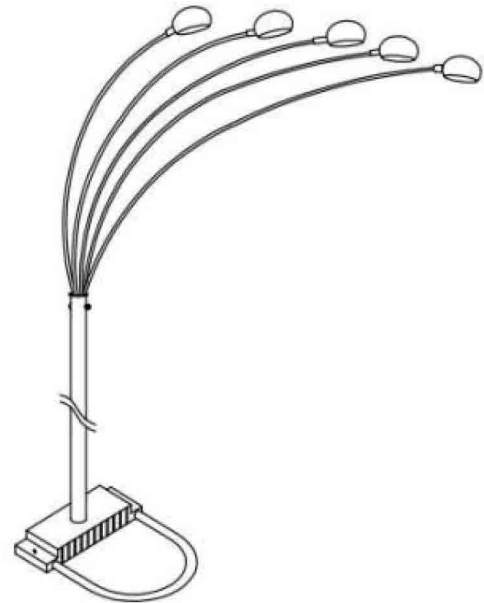
STEP3



STEP4



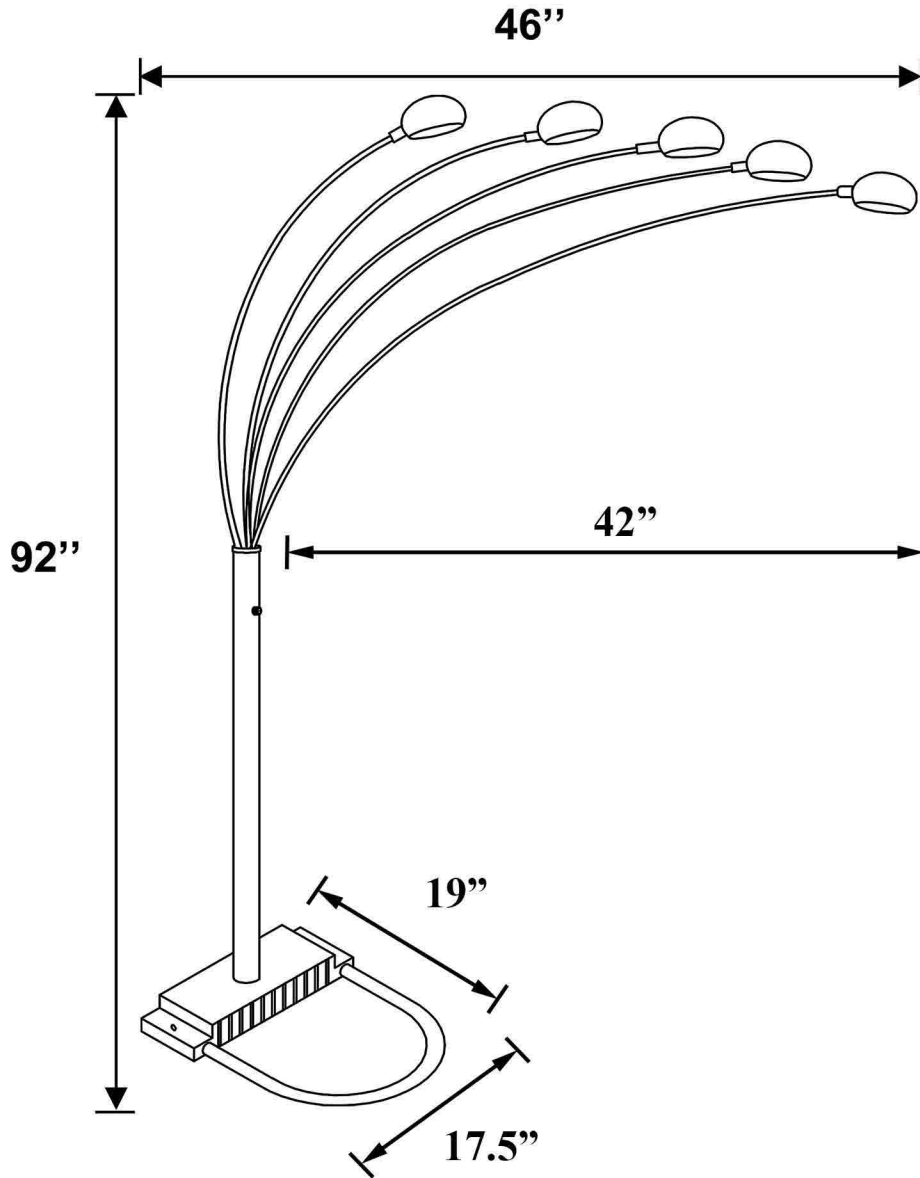
STEP5



As a safety feature, and to reduce the risk of electric shock, this portable lamp includes a polarized plug (one blade is wider than the other). The plug will fit into a polarized outlet in a single direction only. If the plug does not fit fully in the outlet, reverse the plug and try again. If it still does not fit, contact a qualified electrician. DO NOT use with an extension cord unless, can be fully inserted. DO NOT alter the plug.

FLOOR LAMP:TYPE A INCANDESCENT LAMP BULB 40W

ITEM :1243



Note : Dimension tolerance $\pm 5\%$