

ASSEMBLY INSTRUCTIONS
COASTER FINE FURNITURE



Fine Furniture for every stage of life

192561
DINING TABLE BASE

REVISION 0 : 11/23/2018
REVISION 1 : 05/20/2019
REVISION 2 : 07/26/2023

ITEM:192561



ASSEMBLY INSTRUCTIONS

ASSEMBLY TIPS:

1. Remove hardware from box and sort by size.
2. Please check to see that all hardware and parts are present prior to start of assembly.
3. Please follow attached instructions in the same sequence as numbered to assure fast & easy assembly.


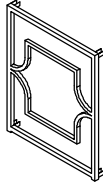
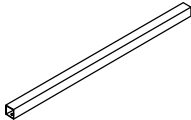
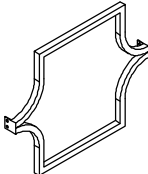


WARNING!





1. Don't attempt to repair or modify parts that are broken or defective. Please contact the store immediately.
2. This product is for home use only and not intended for commercial establishments.

ASSEMBLY TIME 40 MINUTES

PARTS IDENTIFICATION

A	TOP GLASS *GLASS SOLD SEPARATELY.*		1PC
B	SIDE FRAME		2PCS
C	CROSSBAR		4PCS
D	SUPPORT FRAME		2PCS

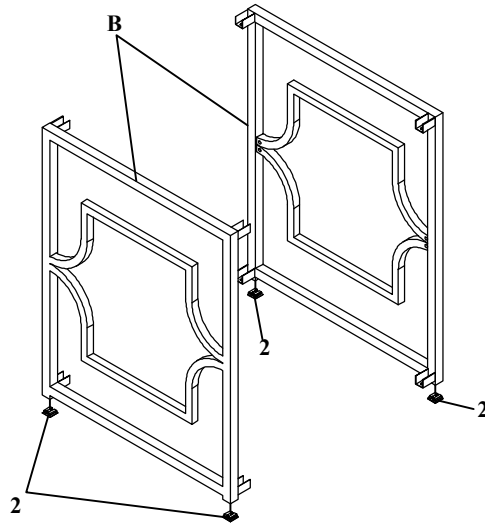
HARDWARE IDENTIFICATION

1	BOLT (1/4" x 12mm SR)		24PCS	3	SUCTION CUP (20 x 5mm)		4PCS
2	CAP (25 x 25mm BLK)		4PCS	4	ALLEN WRENCH (4mm)		1PC

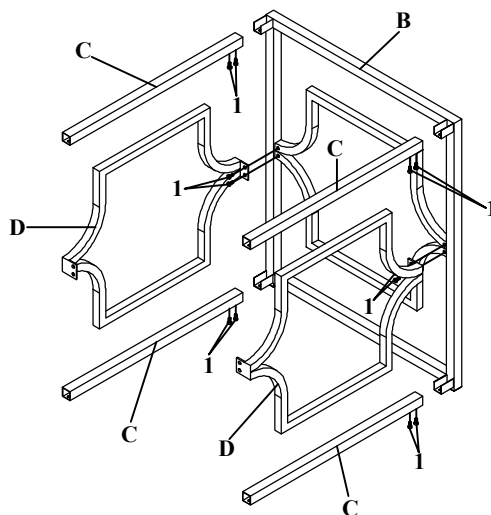
ITEM: 192561 ASSEMBLY INSTRUCTIONS



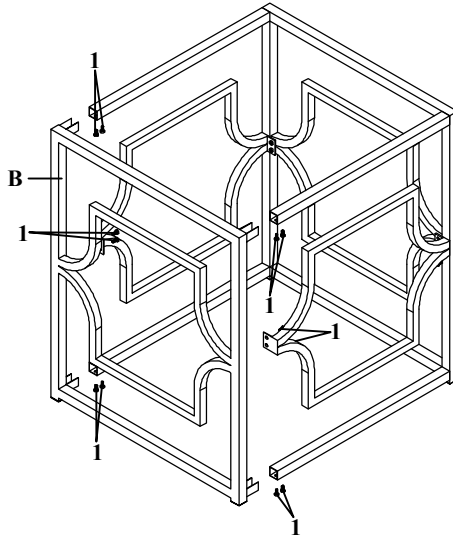
STEP 1 Do not tighten until each step is completed or instructed.



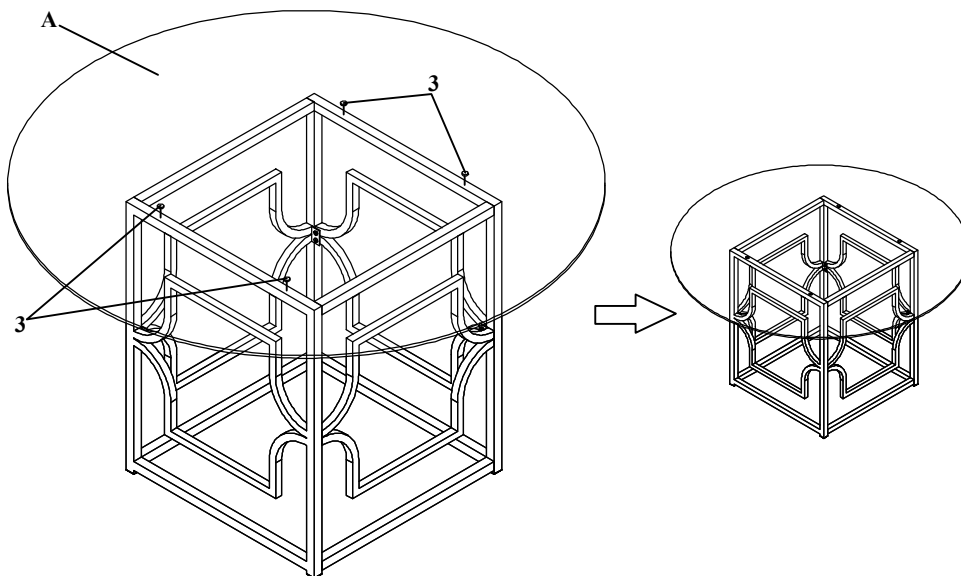
STEP 2



ITEM: 192561
ASSEMBLY INSTRUCTIONS
STEP 3



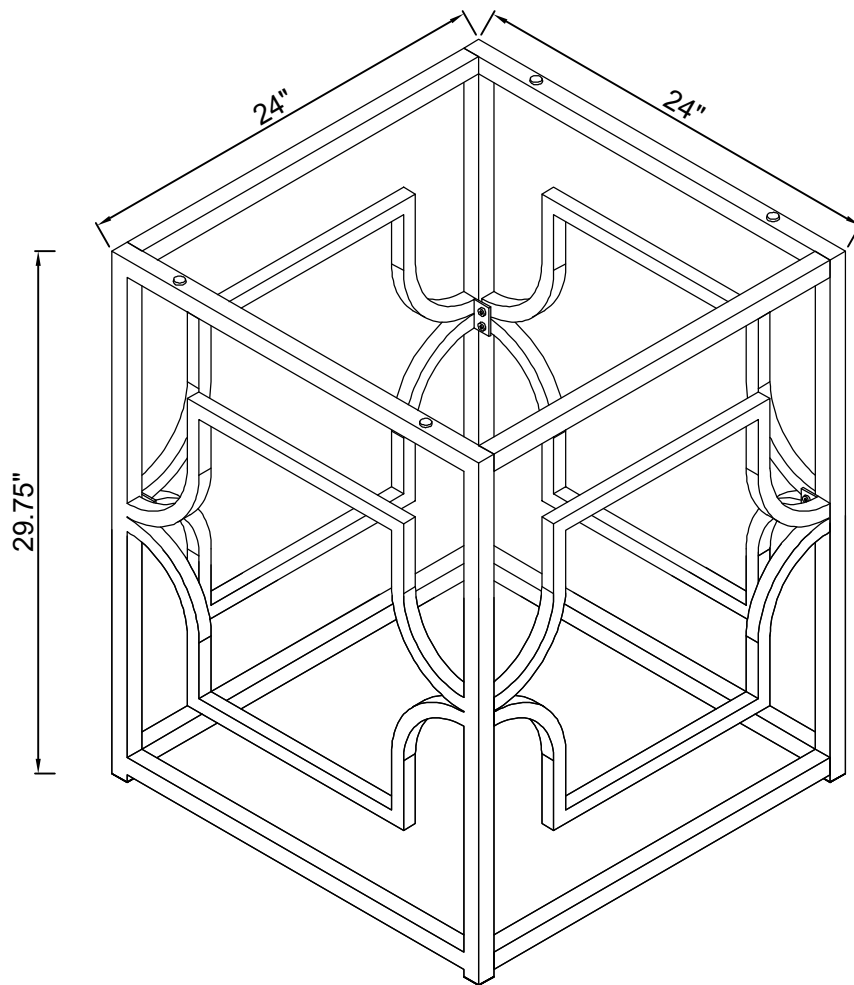
STEP 4 *GLASS (PART#A) SOLD SEPARATELY.*
COMPLETE



ITEM:192561 ASSEMBLY INSTRUCTIONS



Product Size : 610 X 610 X 756 H (MM)
Product Size : 24" X 24" X 29 ³/₄"



Note : Dimension tolerance $\pm 5\%$