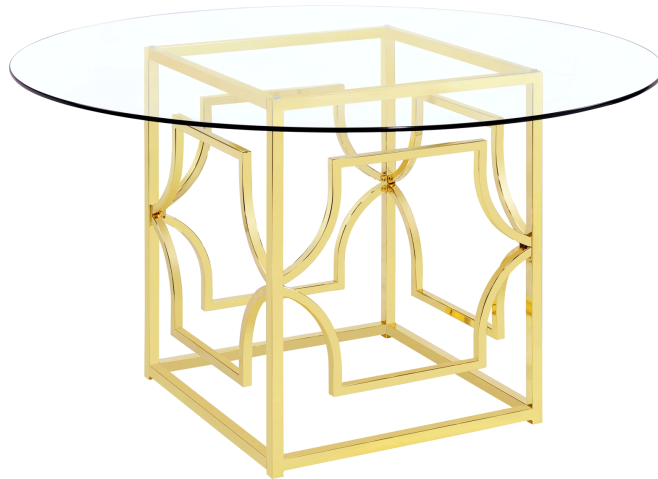


*ASSEMBLY INSTRUCTIONS*  
*COASTER FINE FURNITURE*



*Fine Furniture for every stage of life*

192641  
***DINING TABLE BASE***

REVISION 0 : 11/23/2018  
REVISION 1 : 05/20/2019  
REVISION 2 : 07/26/2023

ITEM:192641



# ASSEMBLY INSTRUCTIONS

## ASSEMBLY TIPS:

1. Remove hardware from box and sort by size.
2. Please check to see that all hardware and parts are present prior to start of assembly.
3. Please follow attached instructions in the same sequence as numbered to assure fast & easy assembly.


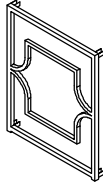
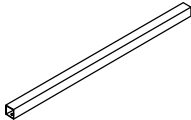
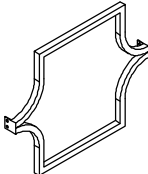


## WARNING!





1. Don't attempt to repair or modify parts that are broken or defective. Please contact the store immediately.
2. This product is for home use only and not intended for commercial establishments.

ASSEMBLY TIME 40 MINUTES

## PARTS IDENTIFICATION

A	TOP GLASS *GLASS SOLD SEPARATELY.*		1PC
B	SIDE FRAME		2PCS
C	CROSSBAR		4PCS
D	SUPPORT FRAME		2PCS

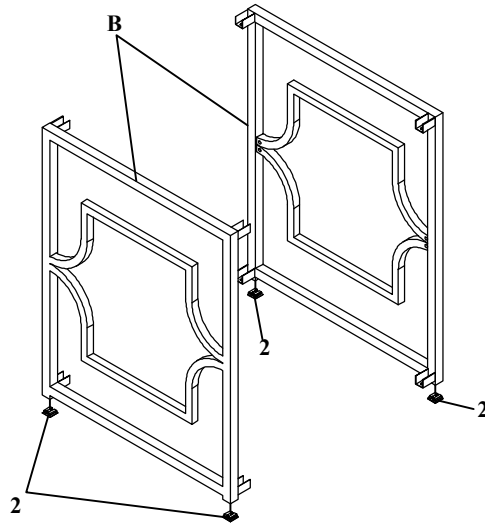
## HARDWARE IDENTIFICATION

1	BOLT (1/4" x 12mm GD)		24PCS	3	SUCTION CUP (20 x 5mm)		4PCS
2	CAP (25 x 25mm BLK)		4PCS	4	ALLEN WRENCH (4mm)		1PC

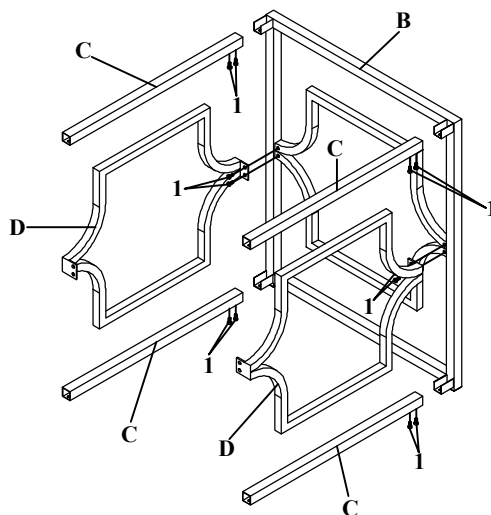
# ITEM: 192641 ASSEMBLY INSTRUCTIONS



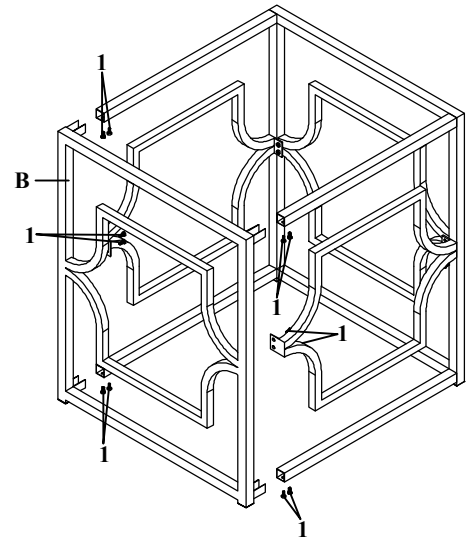
**STEP 1** Do not tighten until each step is completed or instructed.



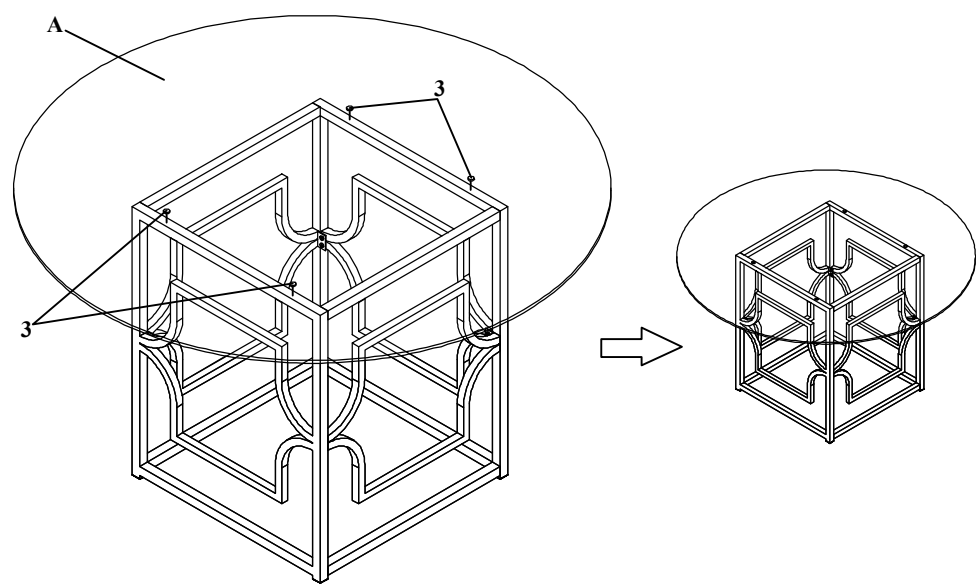
## **STEP 2**



ITEM: 192641  
ASSEMBLY INSTRUCTIONS  
STEP 3



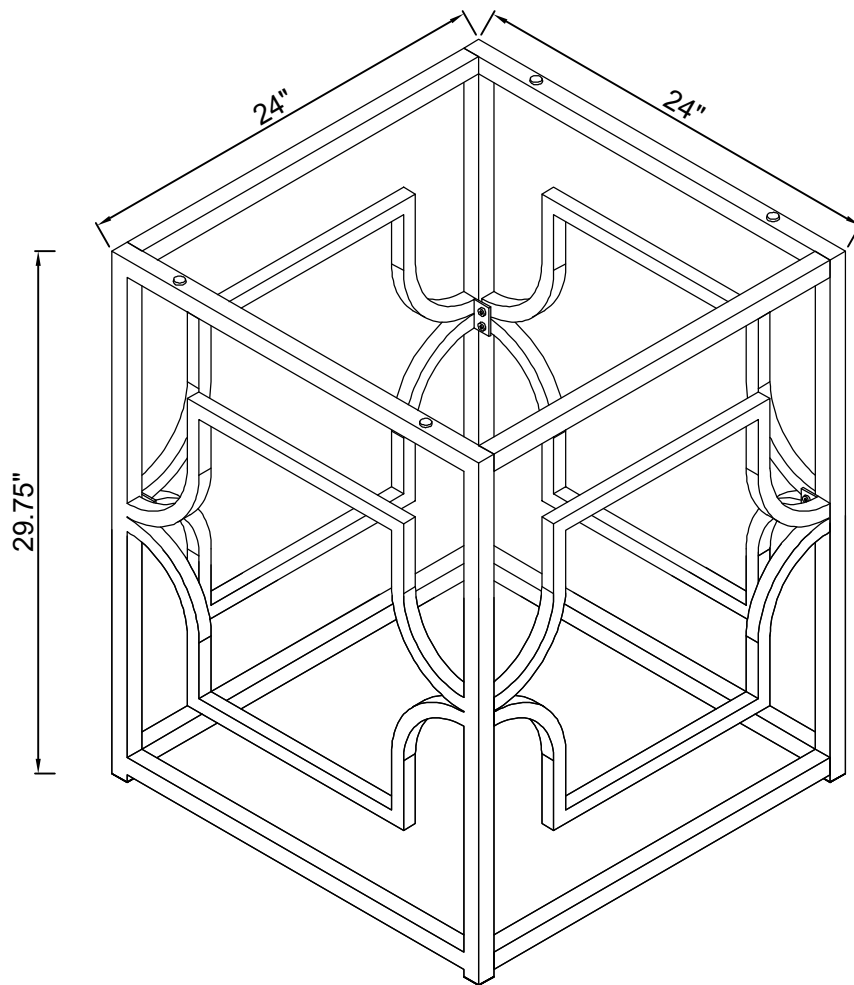
STEP 4 \*GLASS (PART#A) SOLD SEPARATELY.\*  
COMPLETE



# ITEM:192641 ASSEMBLY INSTRUCTIONS



<b>Product Size : 610 X 610 X 756 H (MM)</b>
<b>Product Size : 24" X 24" X 29 <sup>3</sup>/<sub>4</sub>"</b>



Note : Dimension tolerance  $\pm 5\%$