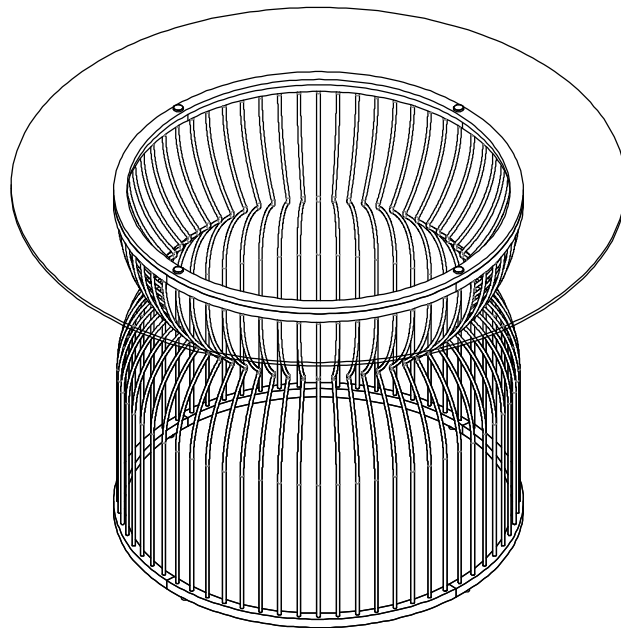


ASSEMBLY INSTRUCTIONS
COASTER FINE FURNITURE



Fine Furniture for every stage of life

193511
DINING TABLE BASE

REVISION 0 : 12/10/2020
REVISION 1 : 07/26/2023

ITEM:193511



ASSEMBLY INSTRUCTIONS

ASSEMBLY TIPS:

1. Remove hardware from box and sort by size.
2. Please check to see that all hardware and parts are present prior to start of assembly.
3. Please follow attached instructions in the same sequence as numbered to assure fast & easy assembly.

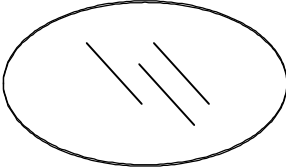
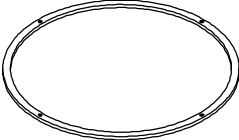
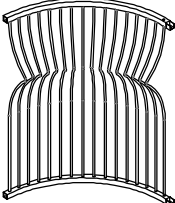


WARNING!


1. Don't attempt to repair or modify parts that are broken or defective. Please contact the store immediately.
2. This product is for home use only and not intended for commercial establishments.

ASSEMBLY TIME 25 MINUTES

PARTS IDENTIFICATION

A	GLASS *GLASS SOLD SEPARATELY.*		1PC
B	TOP FRAME		1PC
C	BASE FRAME		4PCS

HARDWARE IDENTIFICATION

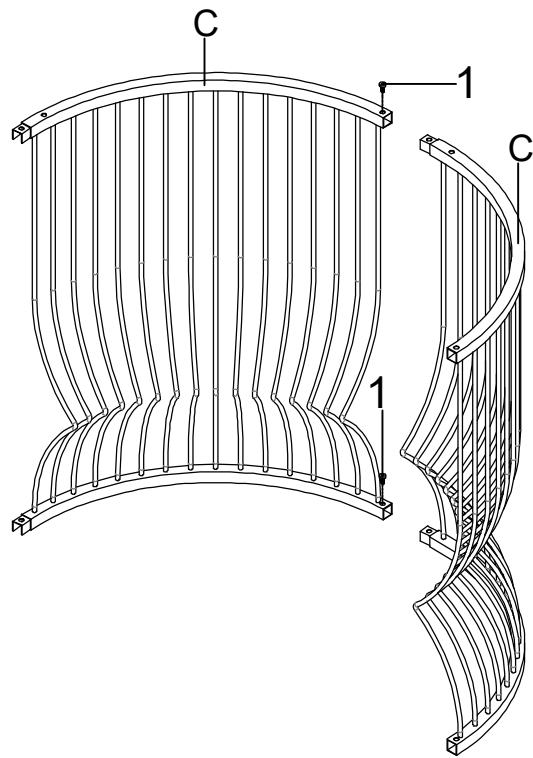
1	BOLT (1/4" x 12mm BLK)		12PCS
2	SUCTION CUP		4PCS
3	LEVELER (1/4" x 12mm BLK)		4PCS
4	ALLEN KEY (4mm)		1PC

ITEM:193511

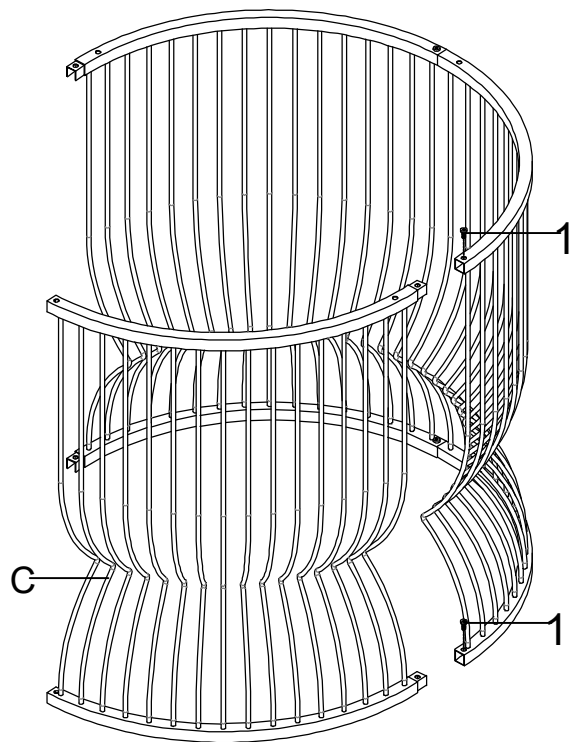
ASSEMBLY INSTRUCTIONS



STEP 1 Do not tighten until each step is completed or instructed.



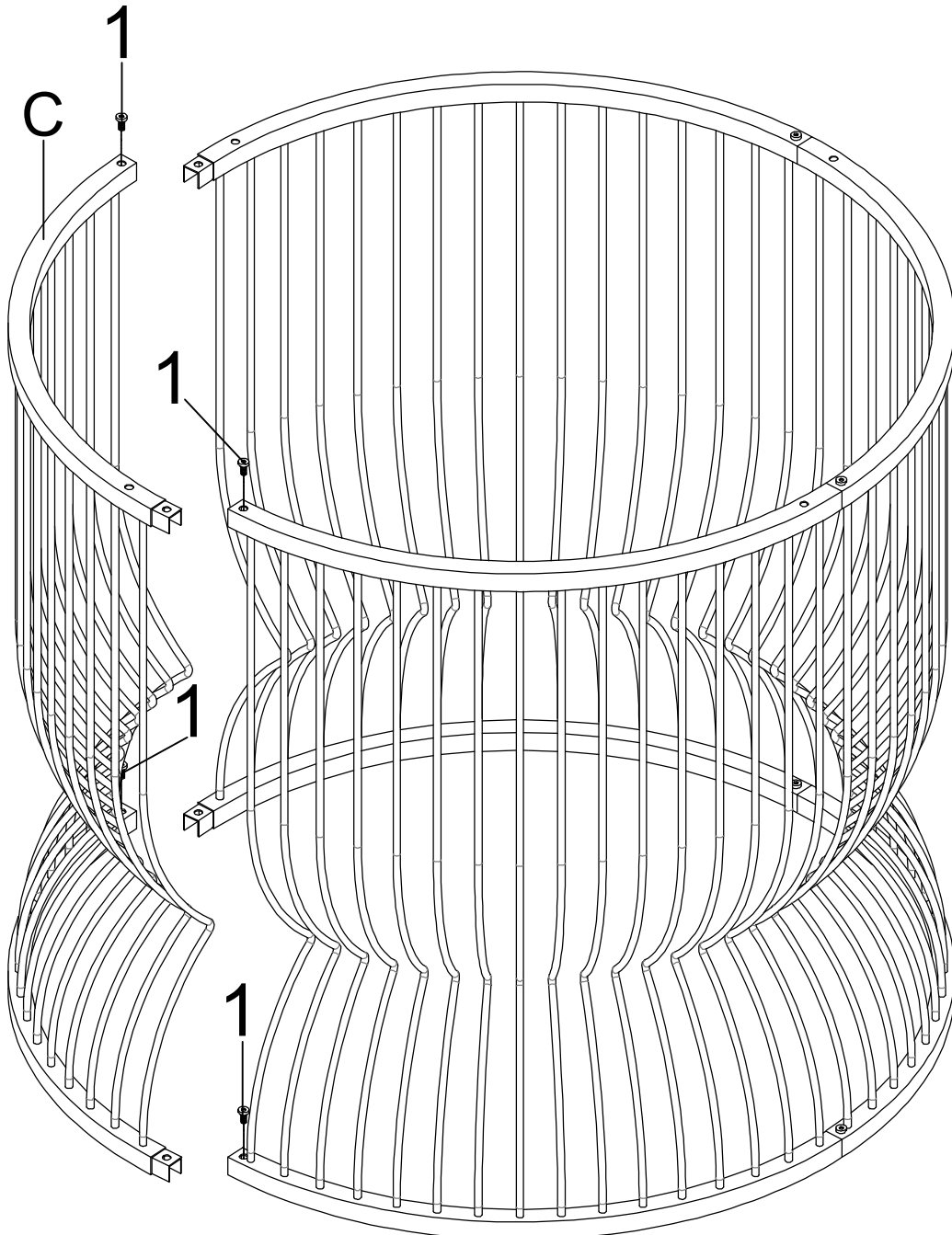
STEP 2



ITEM:193511

ASSEMBLY INSTRUCTIONS

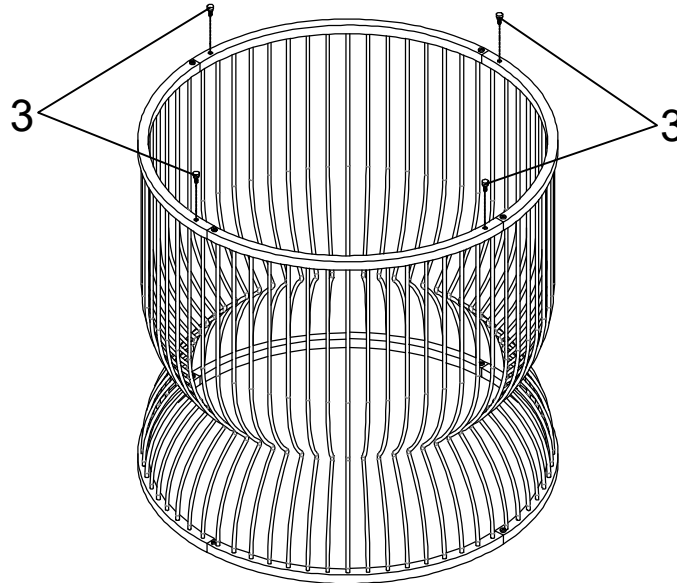
STEP 3



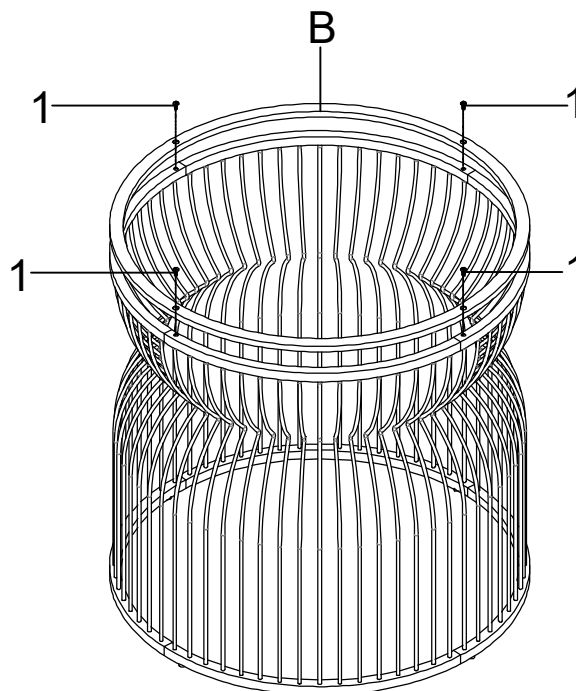
ITEM:193511

ASSEMBLY INSTRUCTIONS

STEP 4



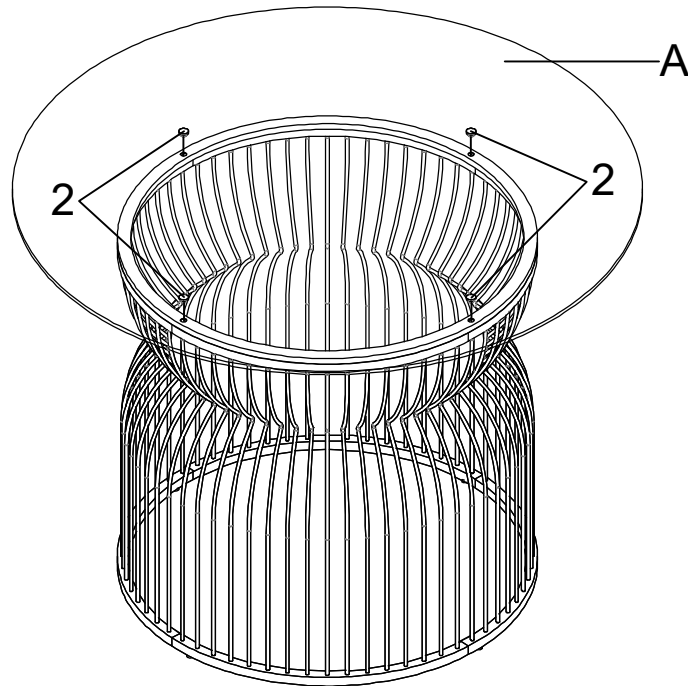
STEP 5



ITEM:193511
ASSEMBLY INSTRUCTIONS

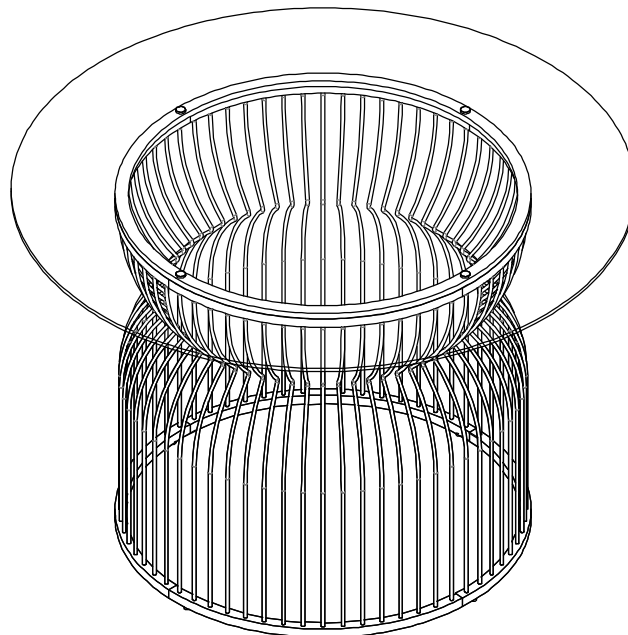


STEP 6 *GLASS SOLD SEPARATELY.*



STEP 7 *GLASS SOLD SEPARATELY.*

COMPLETE

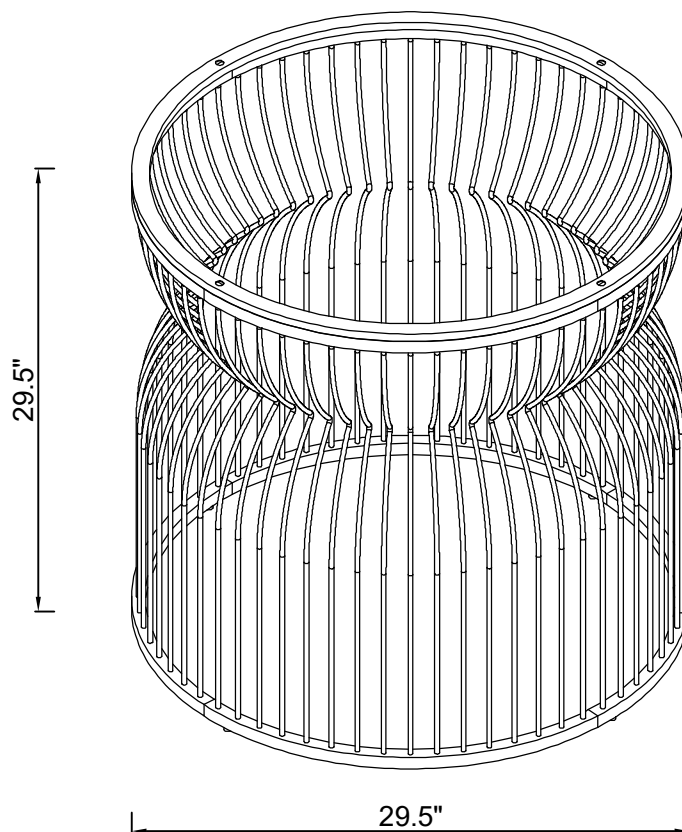


ITEM:193511 ASSEMBLY INSTRUCTIONS



Product Size : 749 DIA X 749 H (MM)

Product Size : 29.5" DIA X 29.5"



Note : Dimension tolerance $\pm 5\%$