



ASSEMBLY INSTRUCTIONS

COASTER FINE FURNITURE



Fine Furniture for every stage of life

REVISION 0 :07/17/2023

PAGE 1 OF 4

511162
LOVESEAT

COASTERFURNITURE.COM

ITEM:511162



ASSEMBLY INSTRUCTIONS

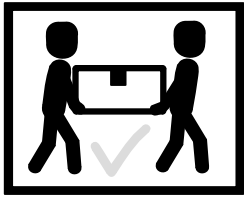
ASSEMBLY TIPS:

1. Remove hardware from box and sort by size.
2. Please check to see that all hardware and parts are present prior to start of assembly.
3. Please follow attached instructions in the same sequence as numbered to assure fast & easy assembly.



WARNING!

1. Don't attempt to repair or modify parts that are broken or defective. Please contact the store immediately.
2. This product is for home use only and not intended for commercial establishments.



ASSEMBLY TIME

3 MINUTES

PARTS IDENTIFICATION

A BASE



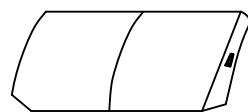
1PC

B LEFT EAR



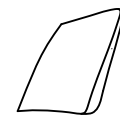
1PC

C BACKREST



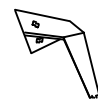
1PC

D RIGHT EAR



1PC

E LEG



4PCS

Z HAREWARE IDENTIFICATION

1 WASHER



Ø0.6CM

8 PCS

3 BOLT



6*30MM

8 PCS

2 WRENCH



Ø0.6CM

1 PC

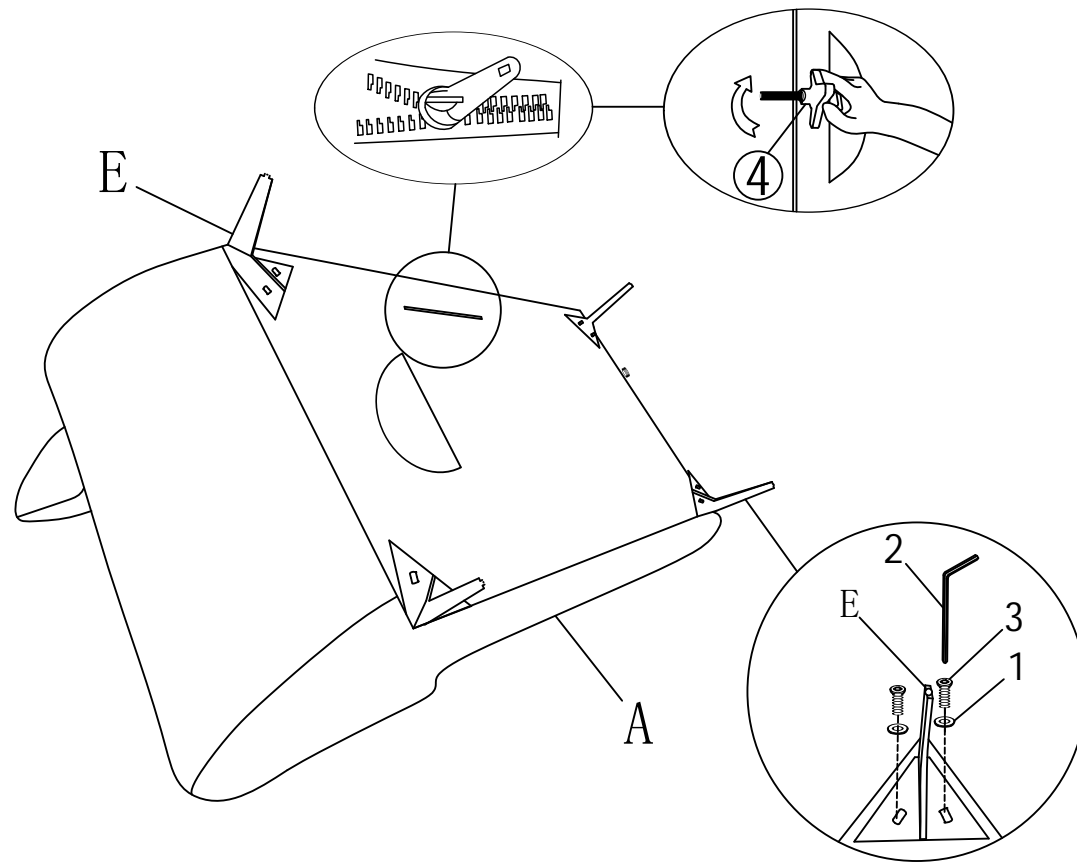
4 TRIPLE HEAD SCREW



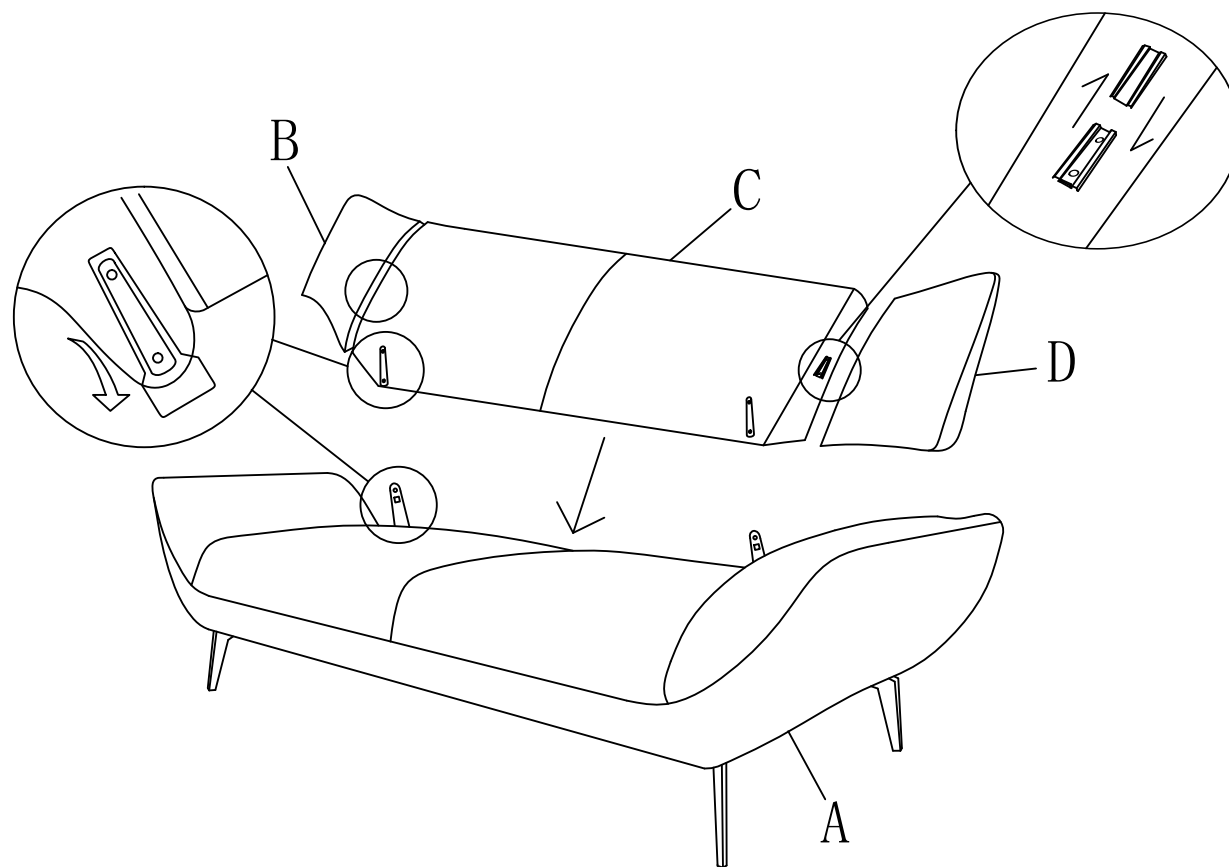
8*58MM

1 PC

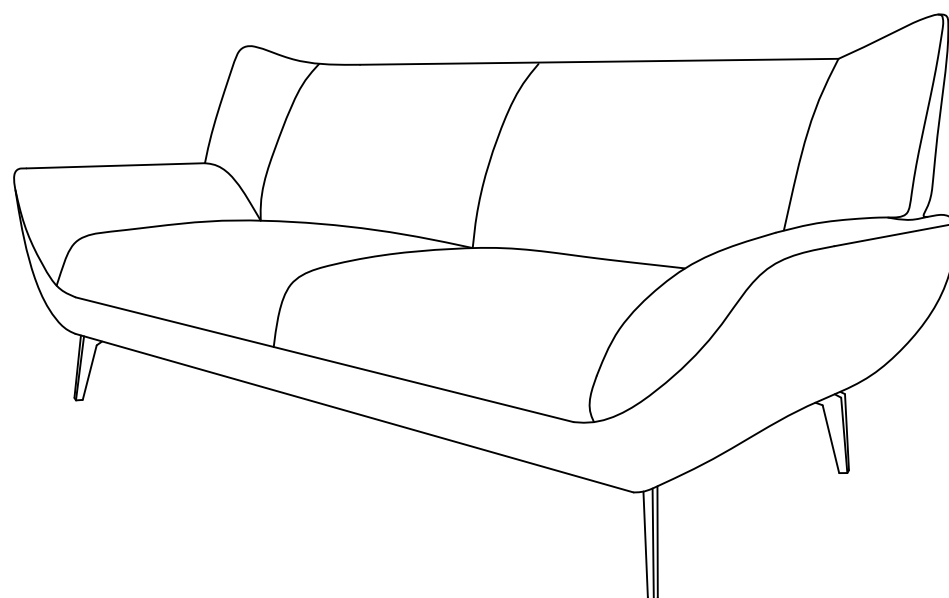
STEP 1

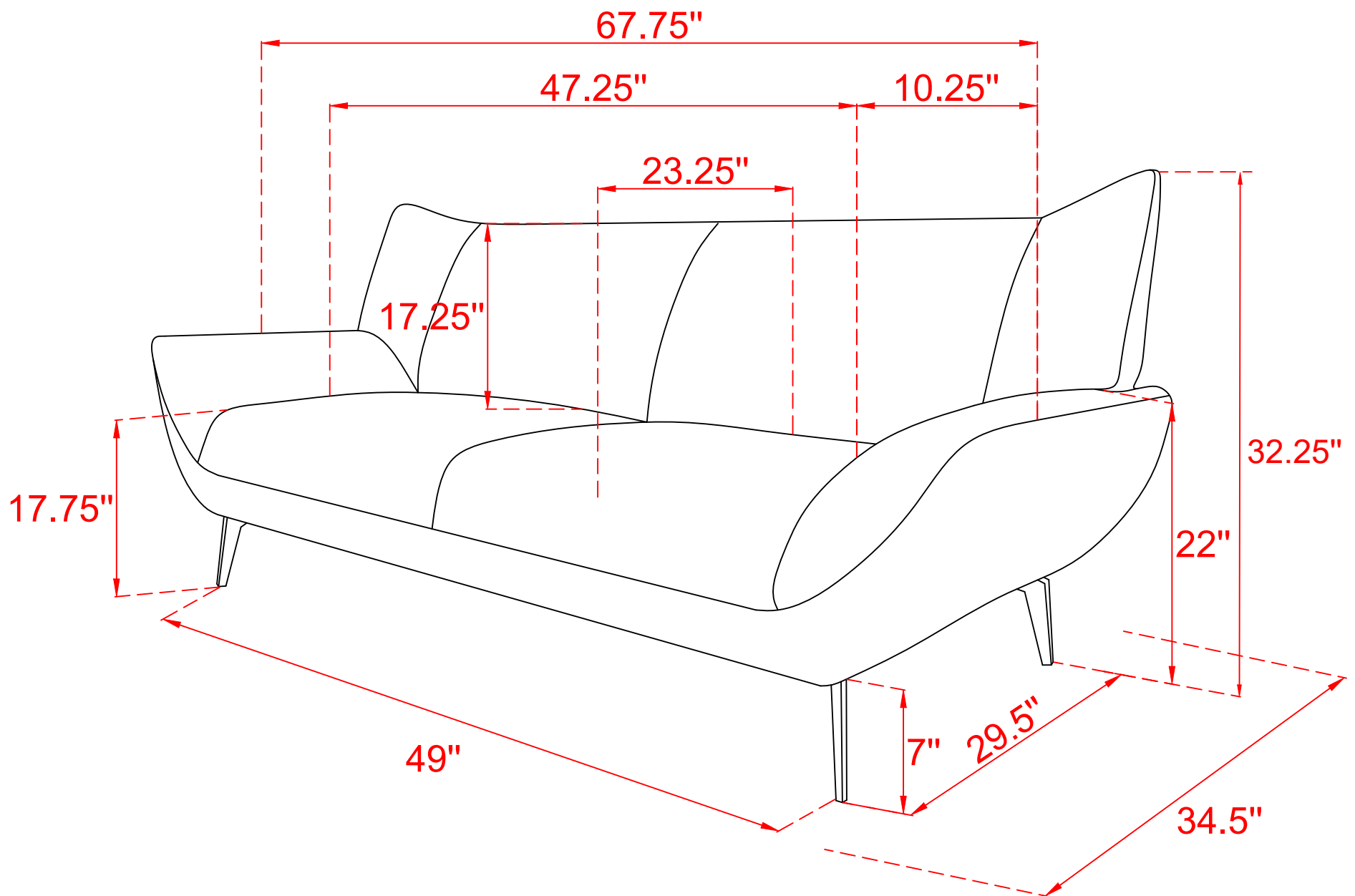


STEP 2



STEP 3





Note: Dimension tolerance $\pm 5\%$