

ASSEMBLY INSTRUCTIONS
COASTER FINE FURNITURE



Fine Furniture for every stage of life

122301
Dining Table

ITEM: 122301



ASSEMBLY INSTRUCTIONS

ASSEMBLY TIPS:

1. Remove hardware from box and sort by size.
2. Please check to see that all hardware and parts are present prior to start of assembly.
3. Please follow attached instructions in the same sequence as numbered to assure fast & easy assembly.



WARNING!

1. Don't attempt to repair or modify parts that are broken or defective. Please contact the store immediately.
2. This product is for home use only and not intended for commercial establishments.



ASSEMBLY TIME

20 MINUTES

PARTS IDENTIFICATION

| | | | |
|---|-----------|--|------|
| A | TOP | | 1PC |
| B | APRON | | 2PCS |
| C | LEFT LEG | | 2PCS |
| D | RIGHT LEG | | 2PCS |

HARDWARE IDENTIFICATION

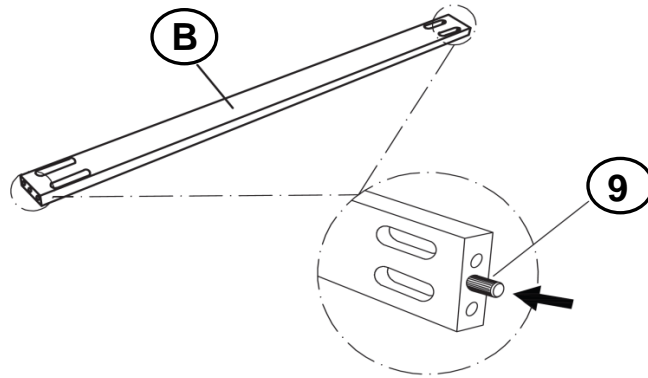
| | | | |
|---|--------------------------------------|--|-------|
| 1 | SMALL ALLEN WRENCH (M4 - BLK) | | 1PC |
| 2 | SMALL BOLT (M6 x 50mm - RBW) | | 8PCS |
| 3 | HALF ROUND NUT (M6 - BLK) | | 8PCS |
| 4 | BIG ALLEN WRENCH (M5 - BLK) | | 1PC |
| 5 | BIG BOLT (M8 x 50mm - RBW) | | 12PCS |
| 6 | LOCK WASHER (M8 - RBW) | | 12PCS |
| 7 | FLAT WASHER (M8 - RBW) | | 12PCS |
| 8 | FLAT HEAD SCREW (M4 x 38mm - RBW) | | 16PCS |
| 9 | PLASTIC DOWEL (M8 x 30mm - BLK) | | 4PCS |

NOTE:

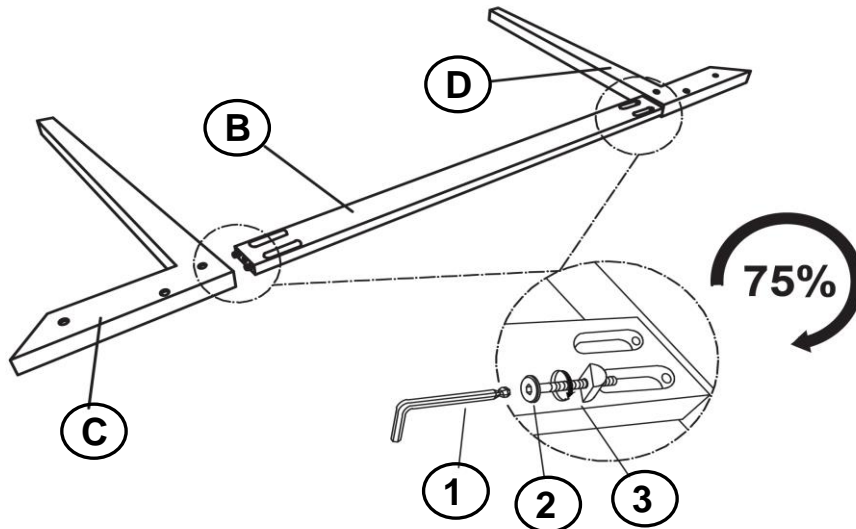
Phillips head screw driver is required in the assembly process; however, manufacturer does not provide this item.

ITEM: **122301**

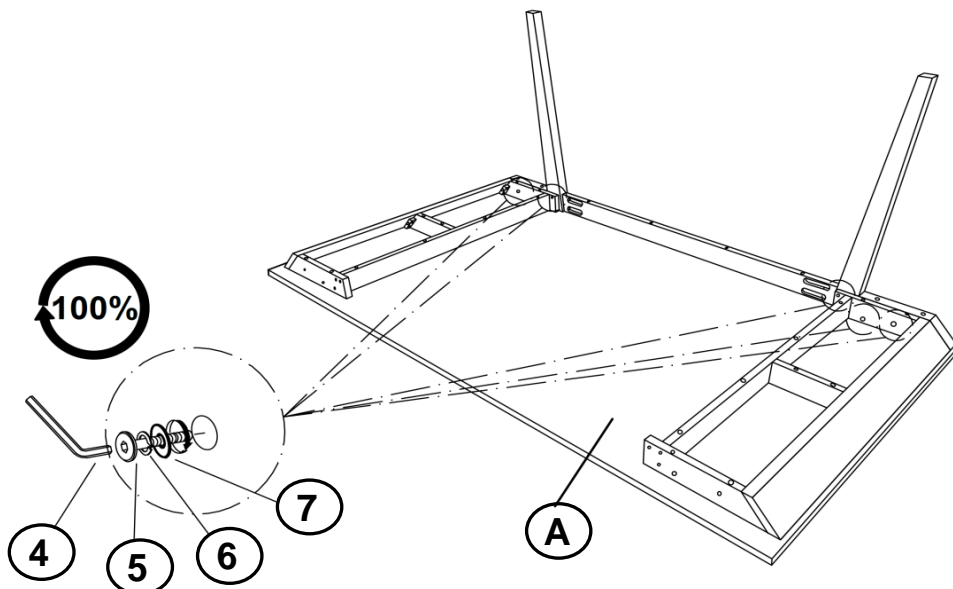
ASSEMBLY INSTRUCTIONS
STEP 1



STEP 2

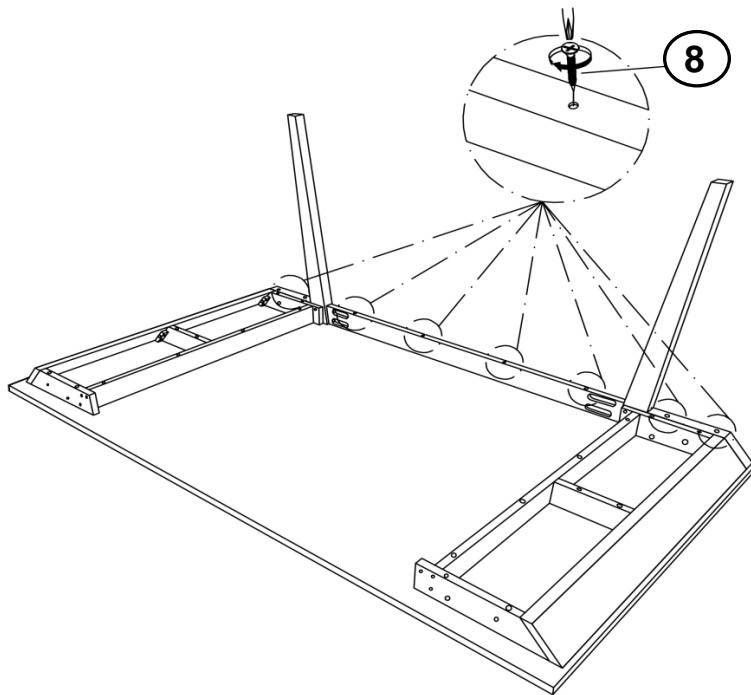


STEP 3

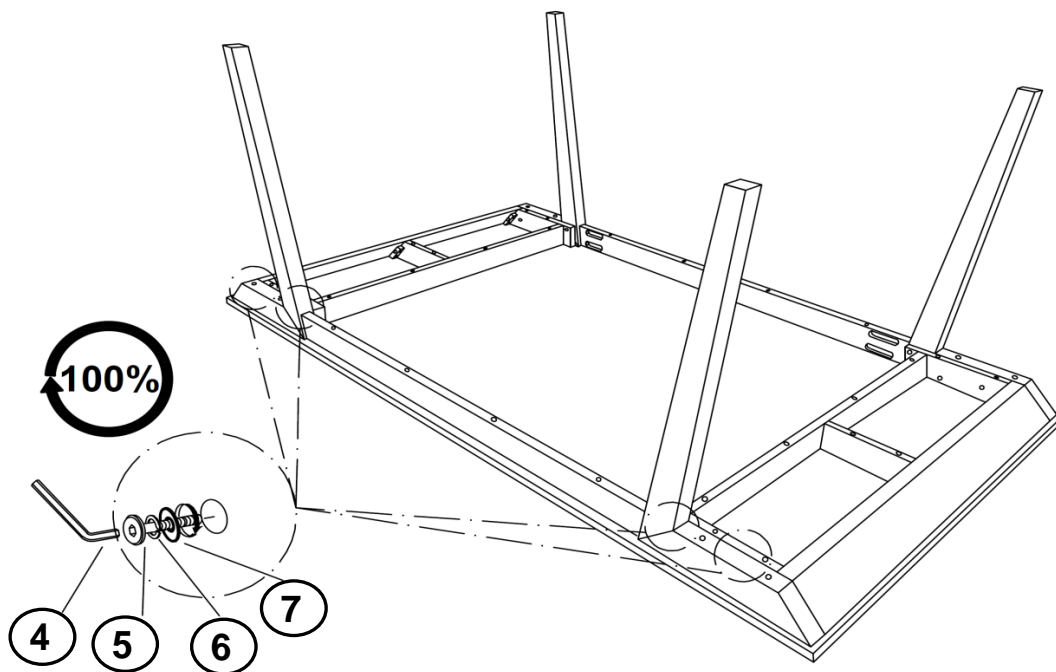


ITEM: **122301**

ASSEMBLY INSTRUCTIONS
STEP 4



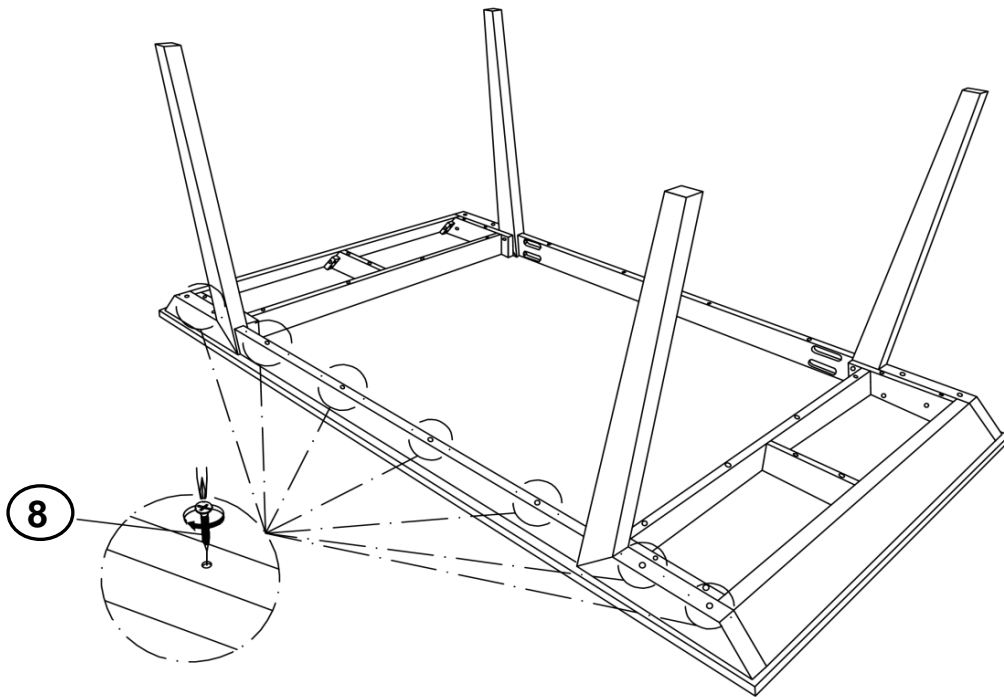
STEP 5



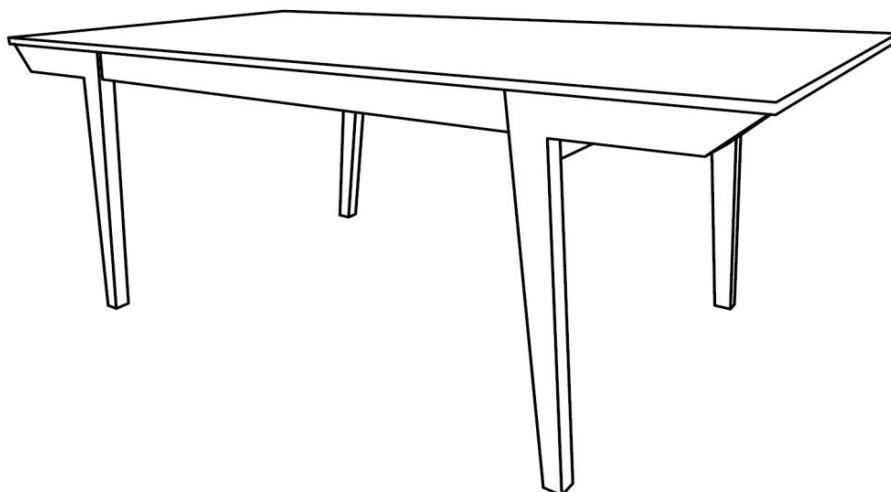
ITEM: **122301**



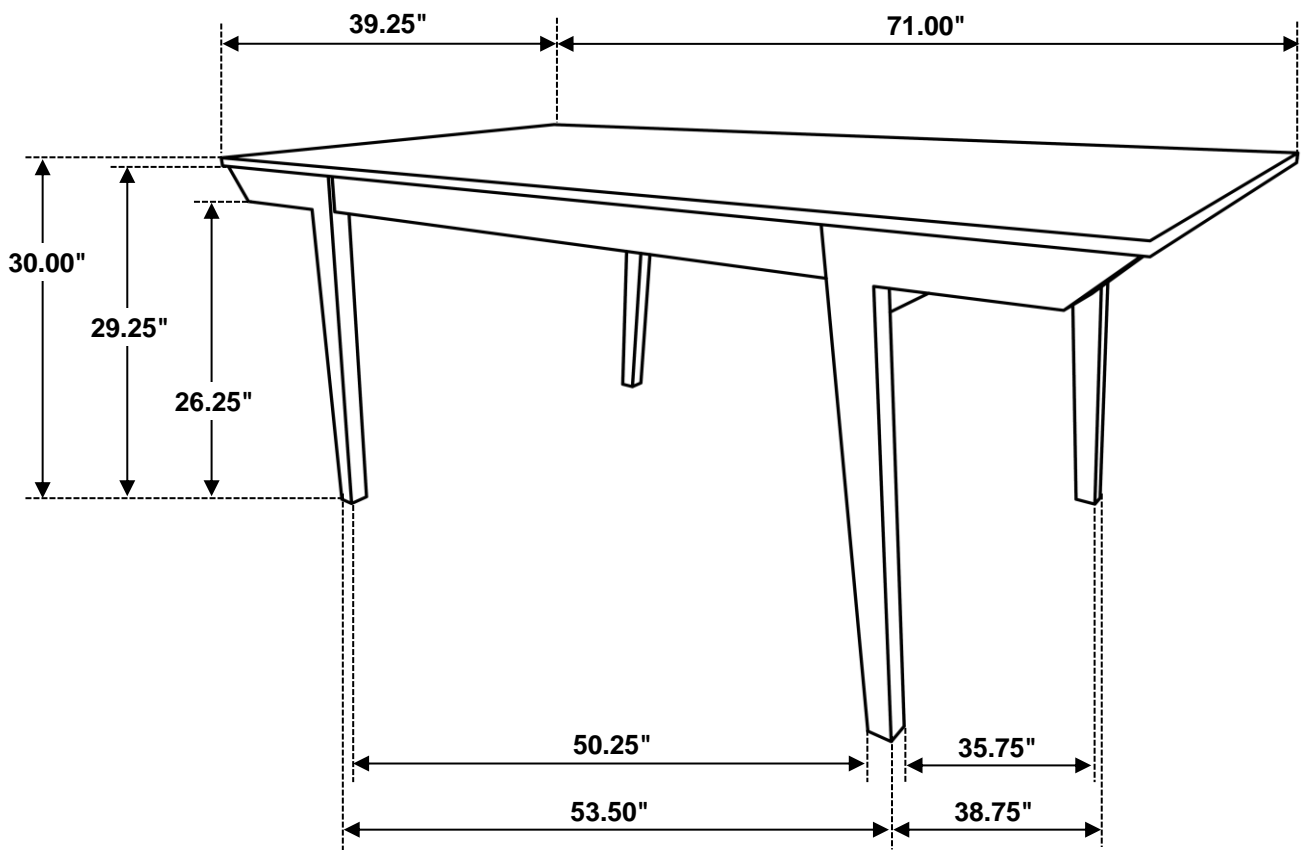
ASSEMBLY INSTRUCTIONS
STEP 6



STEP 7
COMPLETE



ITEM:122301



Note: Dimension tolerance $\pm 5\%$