

*ASSEMBLY INSTRUCTIONS*  
*COASTER FINE FURNITURE*



*Fine Furniture for every stage of life*

**106381(B1&B2)**  
***Dining Table***

# ITEM: 106381 (B1 & B2)



## ASSEMBLY INSTRUCTIONS

### ASSEMBLY TIPS:

1. Remove hardware from box and sort by size.
2. Please check to see that all hardware and parts are present prior to start of assembly.
3. Please follow attached instructions in the same sequence as numbered to assure fast & easy assembly.



### WARNING!

1. Don't attempt to repair or modify parts that are broken or defective. Please contact the store immediately.
2. This product is for home use only and not intended for commercial establishments.



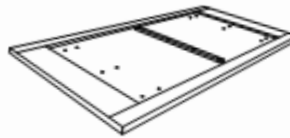
ASSEMBLY TIME

30 MINUTES

## PARTS IDENTIFICATION

### B1 (BOX 1)

A TOP



1PC

B TRESTLE BAR



1PC

### B2 (BOX 2)

C LEG



2PCS

## HARDWARE IDENTIFICATION

### Z-B2 (BOX 2) - HARDWARE PACK IS LOCATED IN 106381 (B2)

1 ALLEN WRENCH  
(M4 X 110MM - BLK)



1PC

2 LONG BOLT  
(M6 x 50MM - RBW)



2PCS

3 SHORT BOLT  
(M6 X 30MM - RBW)



4PCS

4 LOCK WASHER  
(1/4" - BLK)



14PCS

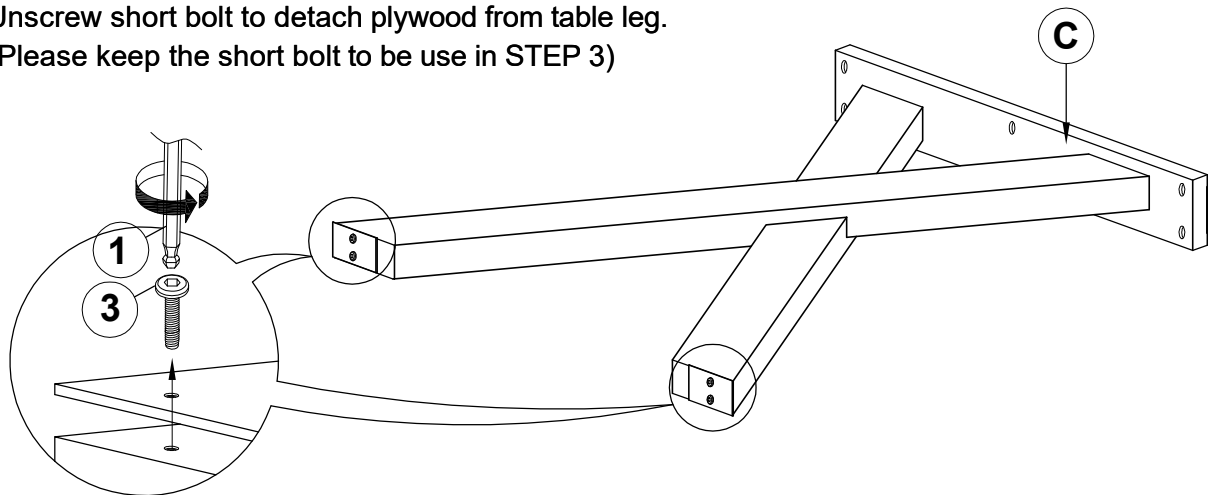
5 FLAT WASHER  
(M6 x 13MM - RBW)



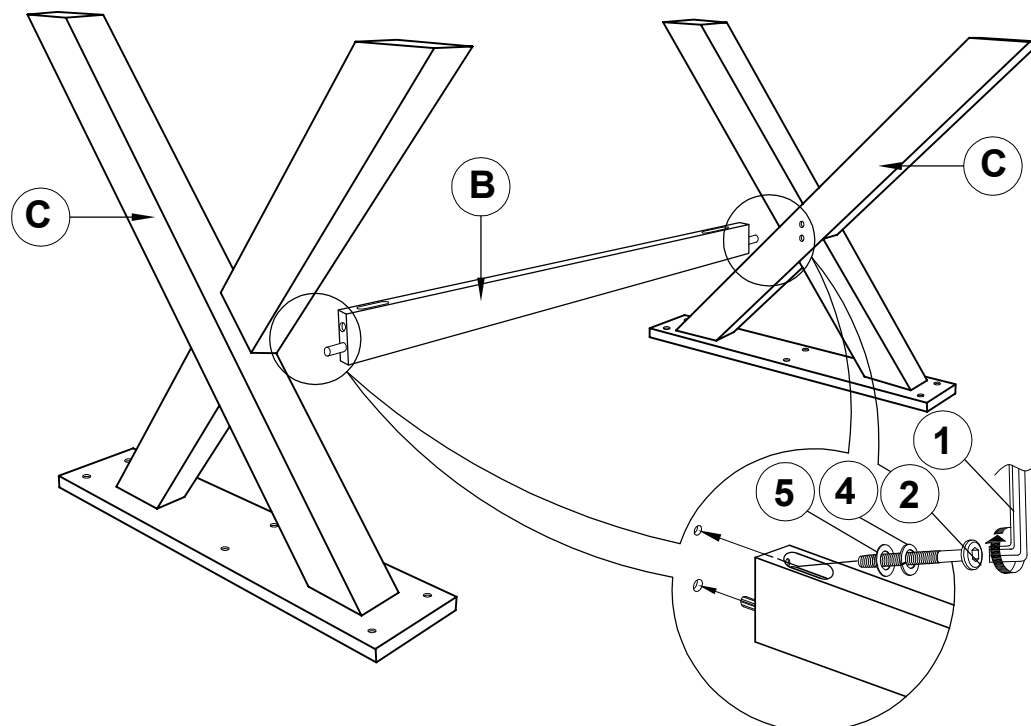
14PCS

## STEP 1

Unscrew short bolt to detach plywood from table leg.  
(Please keep the short bolt to be use in STEP 3)



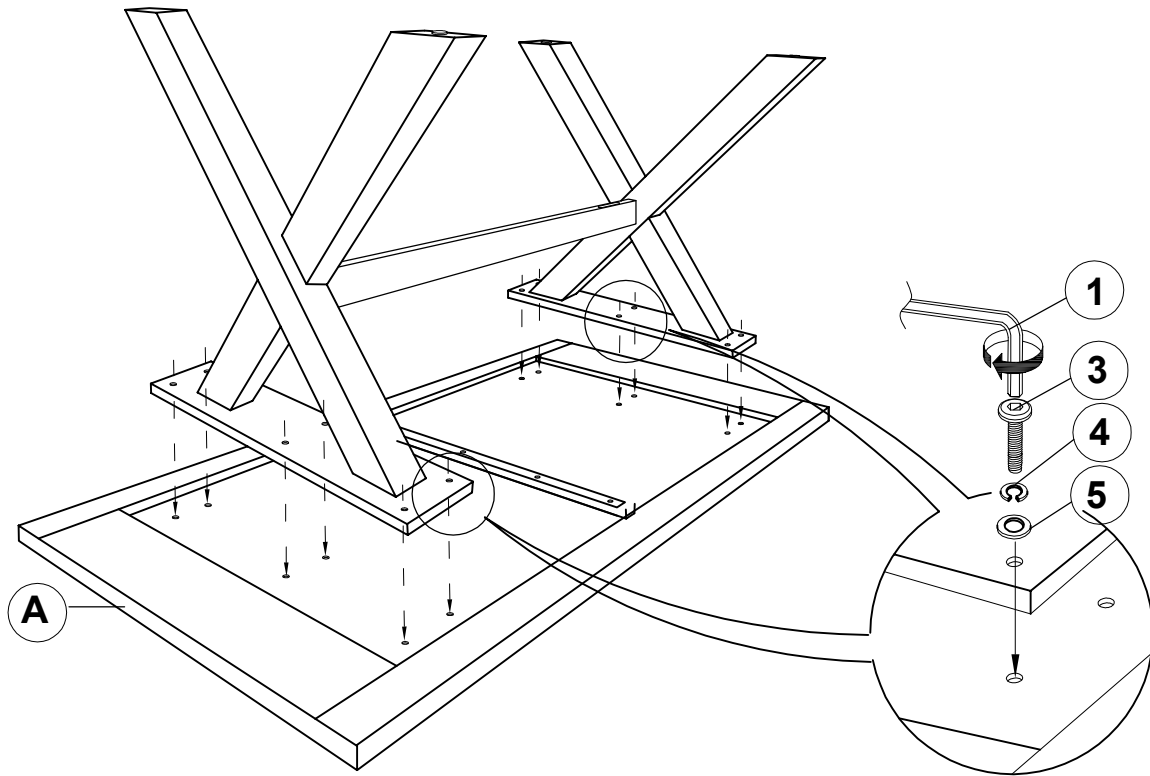
## STEP 2



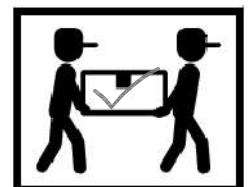
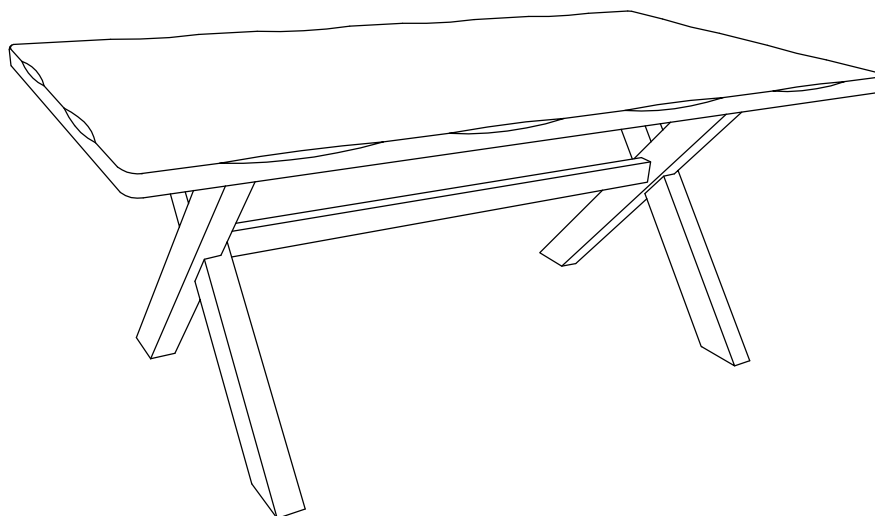
ITEM: **106381(B1&B2)**



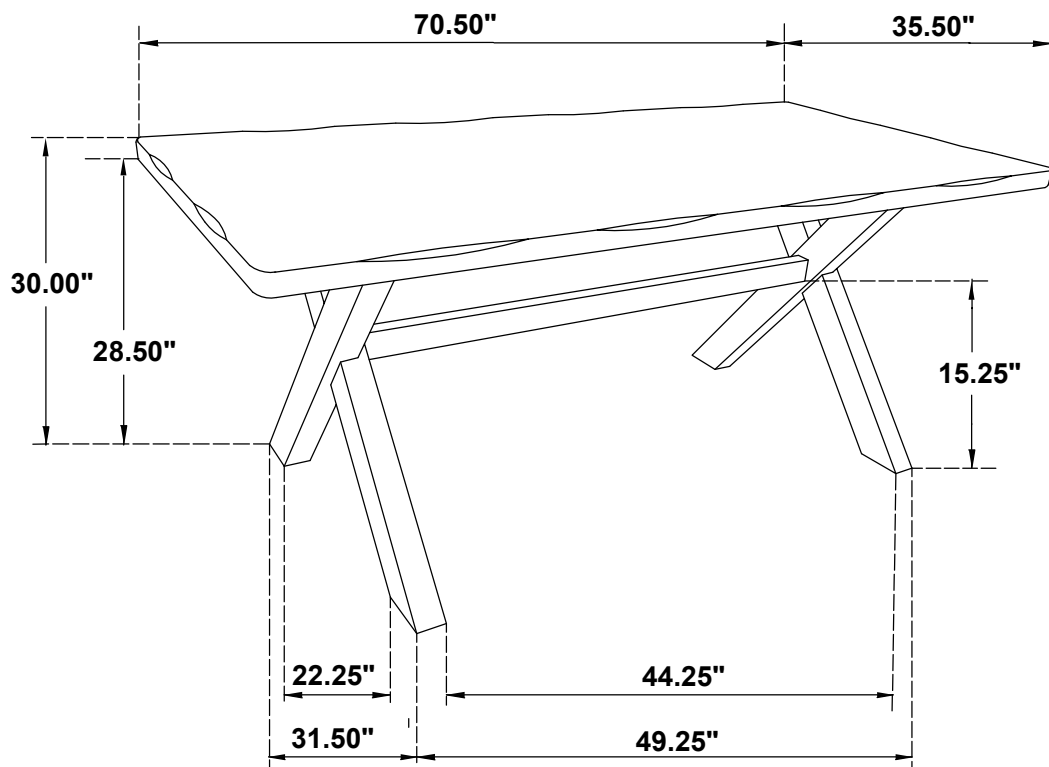
**STEP 3**



**STEP 4**  
**COMPLETE**



ITEM: **106381(B1&B2)**



Note: Dimension tolerance  $\pm 5\%$