



ASSEMBLY INSTRUCTIONS COASTER FINE FURNITURE



Fine Furniture for every stage of life

204192
Nighstand

REVISION 0 : 06/17/2015
REVISION 1 : 12/17/2017
REVISION 2 : 06/04/2019

PAGE 1 OF 4

COASTERFURNITURE.COM

ITEM: **204192**



ASSEMBLY INSTRUCTIONS

ASSEMBLY TIPS:

- 1 . Remove hardware from box and sort by size.
- 2 . Please check to see that all hardware and parts are present prior to start of assembly.
- 3 . Please follow attached instructions in the same sequence as numbered to assure fast & easy assembly.

WARNING !



- 1 . Don't attempt to repair or modify parts that are broken or defective. Please contact the store immediately.
- 2 . This product is for home use only and not intended for commercial establishment.



ASSEMBLY TIME

20 MINUTES

PARTS IDENTIFICATION

A NIGHTSTAND



1PC

D RIGHT BACK LEG
(WITH BR LABEL)



1PC

B RIGHT FRONT LEG
(WITH FR LABEL)



1PC

E LEFT BACK LEG
(WITH BR LABEL)



1PC

C LEFT FRONT LEG
(WITH FR LABEL)



1PC

HARDWARE IDENTIFICATION

1 BOLT
(M6 x 30mm - BLK)



8PCS

3 FLAT WASHER
(1/4" x 20mm - BLK)



8PCS

2 LOCK WASHER
(1/4" - BLK)



8PCS

4 ALLEN WRENCH
(M4 x 65mm - BLK)



1PC

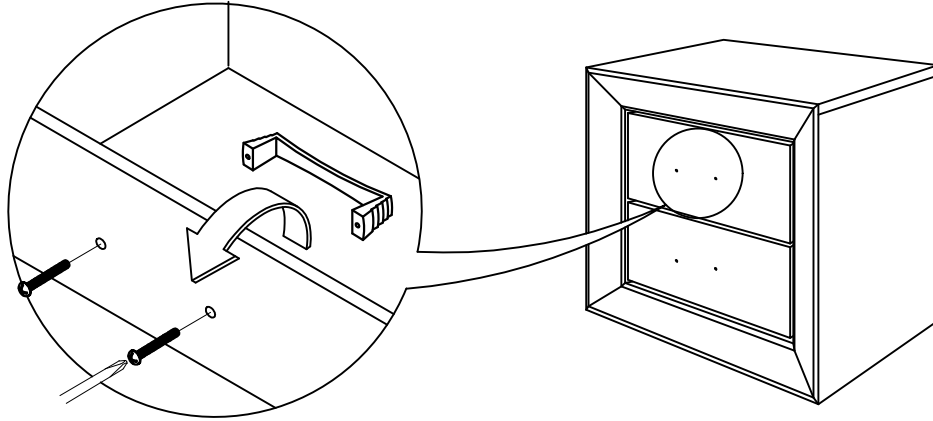
NOTE:

Philips head screw driver in the assembly process; however, manufacturer does not provide the item

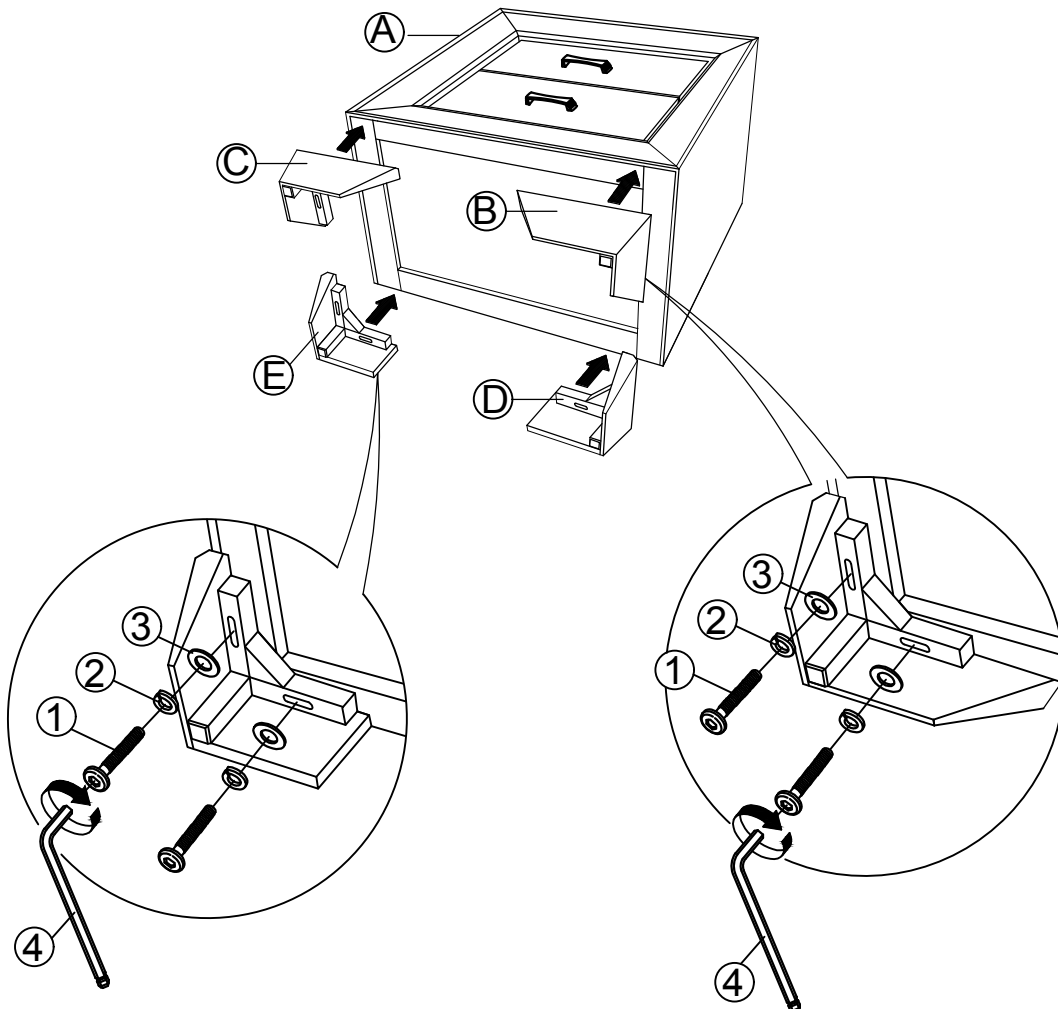
ITEM: **204192**
ASSEMBLY INSTRUCTIONS



STEP 1



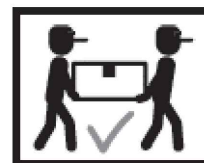
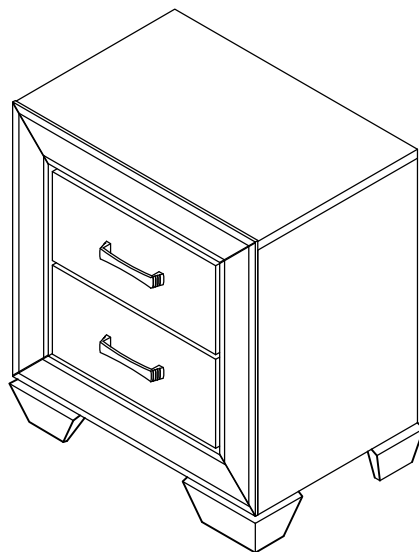
STEP 2



ITEM: **204192**
ASSEMBLY INSTRUCTIONS



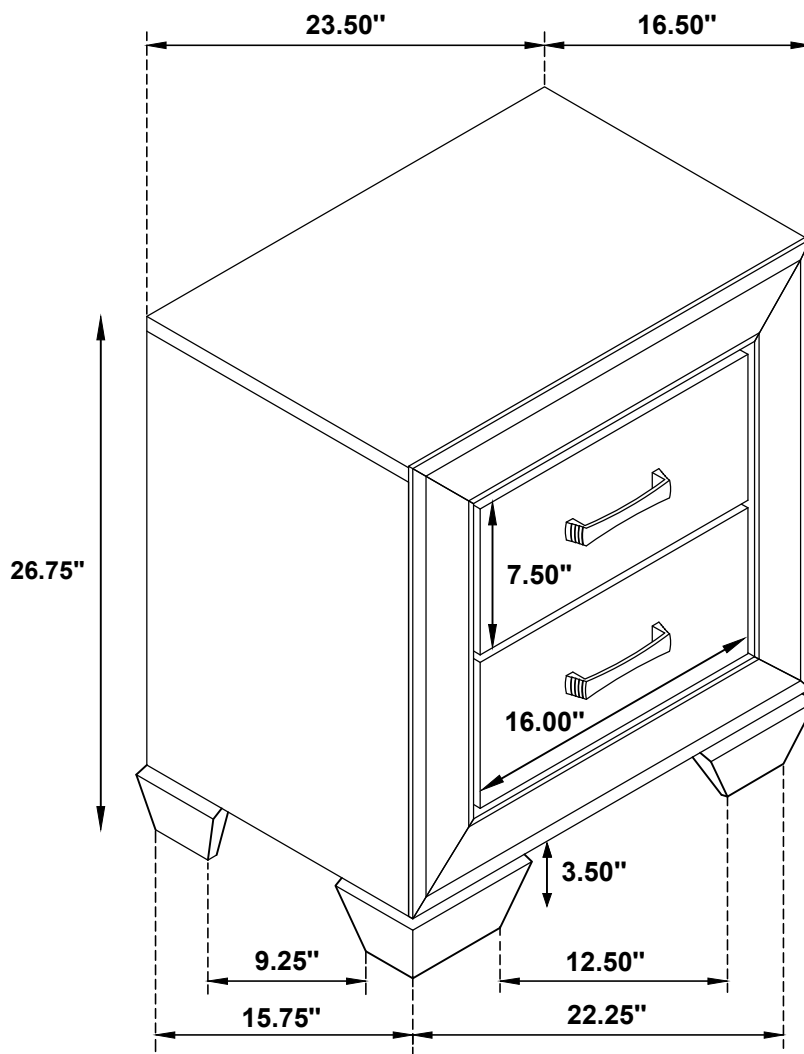
STEP 3
COMPLETE



ITEM: **204192**



Inner Size Of Drawer : 12.75"W X 12.75"D X 5.00"H X 0.25"T



Note : Dimension tolerance $\pm 5\%$