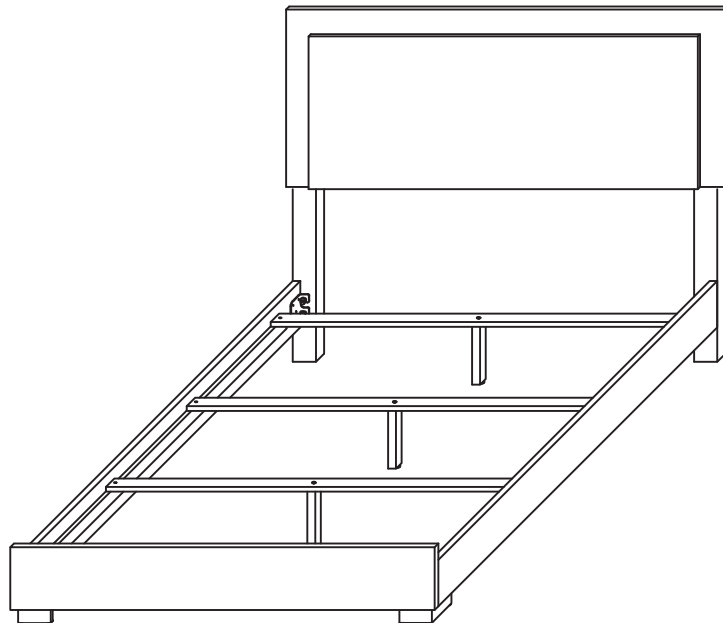


*ASSEMBLY INSTRUCTIONS*  
*COASTER FINE FURNITURE*



*Fine Furniture for every stage of life*

**222831F(B1&B2)**  
***Full Bed***

# ITEM: 222831F(B1&B2)



## ASSEMBLY INSTRUCTIONS

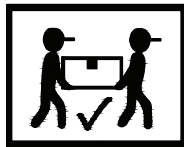
### ASSEMBLY TIPS:

1. Remove hardware from box and sort by size.
2. Please check to see that all hardware and parts are present prior to start of assembly.
3. Please follow attached instructions in the same sequence as numbered to assure fast & easy assembly.



### WARNING!

1. Don't attempt to repair or modify parts that are broken or defective. Please contact the store immediately.
2. This product is for home use only and not intended for commercial establishments.

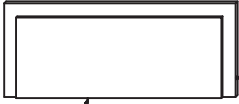




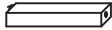




ASSEMBLY TIME

30 MINUTES

## PARTS IDENTIFICATION

### B1 (BOX 1)

A	HEADBOARD PANEL		1PC	E	LEG		2PCS
B	LEFT HEADBOARD LEG (WITH "L" LABEL)		1PC	F	BED SLAT		4PCS
C	RIGHT HEADBOARD LEG (WITH "R" LABEL)		1PC	G	BED SLAT SUPPORT WITH LEVELER		4PCS
D	FOOTBOARD PANEL		1PC	H	WOOD CLEAT		2PCS

### B2 (BOX 2)

I	BED RAIL		2PCS
---	----------	---	------

# ITEM: 222831F(B1&B2)



## ASSEMBLY INSTRUCTIONS

### ASSEMBLY TIPS:

1. Remove hardware from box and sort by size.
2. Please check to see that all hardware and parts are present prior to start of assembly.
3. Please follow attached instructions in the same sequence as numbered to assure fast & easy assembly.





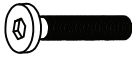









### WARNING!

1. Don't attempt to repair or modify parts that are broken or defective. Please contact the store immediately.
2. This product is for home use only and not intended for commercial establishments.

## HARDWARE IDENTIFICATION

### Z-B1 (BOX 1) - HARDWARE PACK IS LOCATED IN 222831F (B1)

1	<b>BOLT 1</b> (M8 x 16mm - RBW)		8PCS	7	<b>FLAT HEAD SCREW</b> (M4 x 32MM - RBW)		8PCS
2	<b>BOLT 2</b> (M6 x 40mm - RBW)		4PCS	8	<b>SMALL ALLEN WRENCH</b> (M4 x 65MM - BLK)		1PC
3	<b>BOLT 3</b> (M8 x 35mm - RBW)		6PCS	9	<b>BIG ALLEN WRENCH</b> (M5 x 65MM - BLK)		1PC
4	<b>BOLT 4</b> (M6 x 35mm - RBW)		8PCS	10	<b>ADAPTOR PLUG</b>		1PC
5	<b>BIG LOCK WASHER</b> (5/16" x 14ø - RBW)		6PCS	11	<b>SMALL LOCK WASHER</b> (1/4" x 12ø - RBW)		8PCS
6	<b>BIG FLAT WASHER</b> (5/16" x 22ø - RBW)		6PCS	12	<b>SMALL FLAT WASHER</b> (1/4" x 19ø - RBW)		8PCS

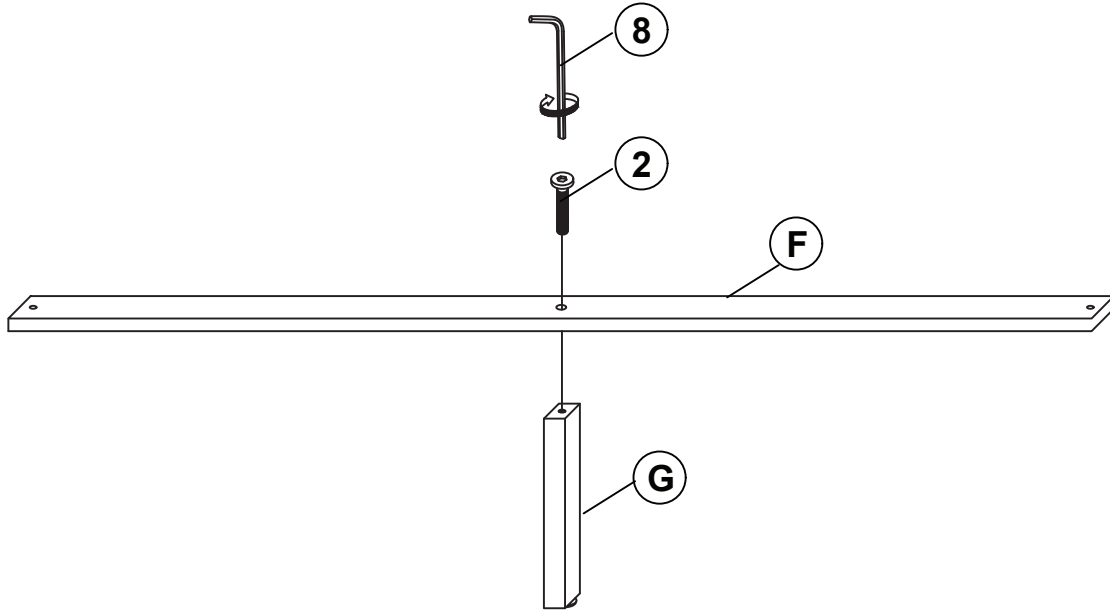
### NOTE:

Phillips head screw driver is required in the assembly process; however, manufacturer does not provided this item.

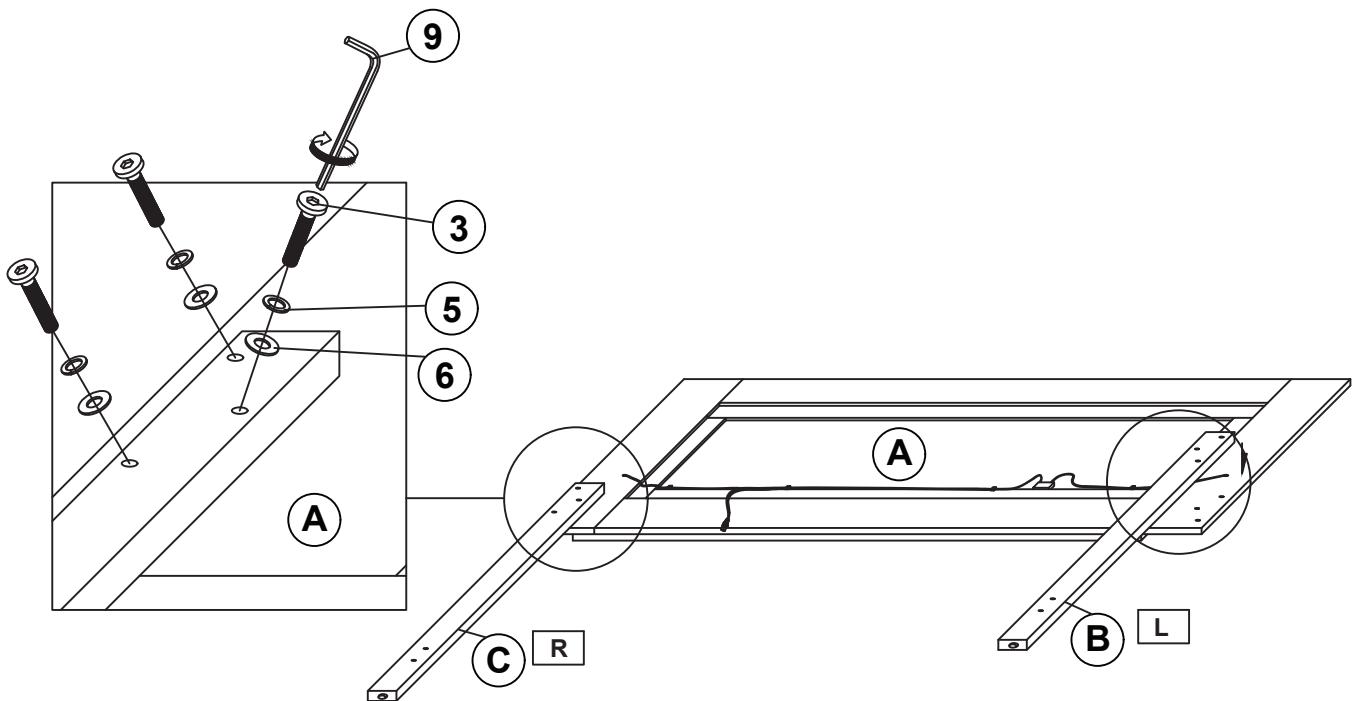
# ITEM: 222831F(B1&B2)

## ASSEMBLY INSTRUCTIONS

### STEP 1



### STEP 2

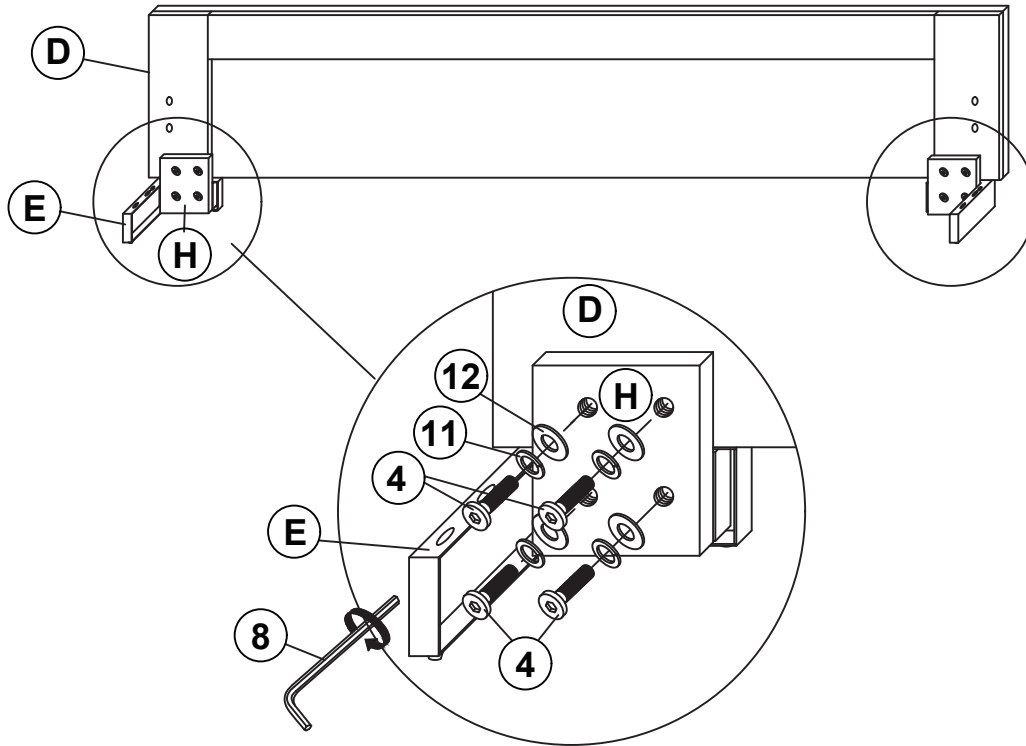


**\*\* BACK VIEW**

# ITEM: 222831F(B1&B2)

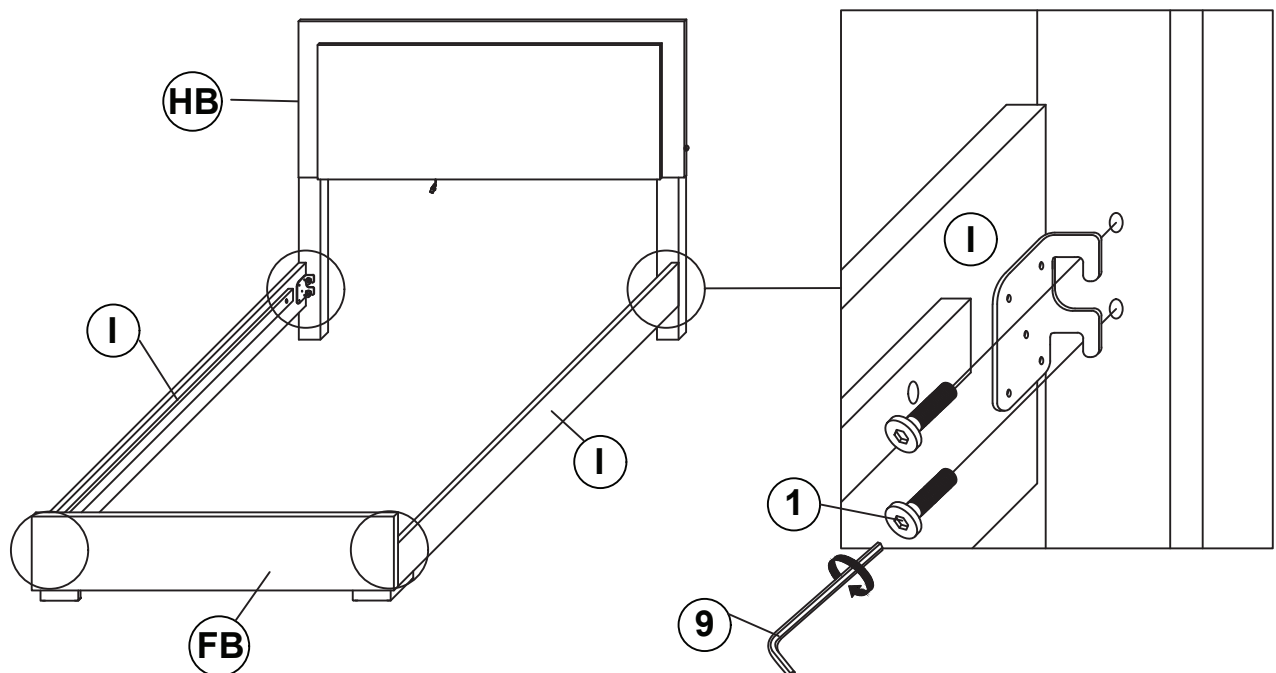
## ASSEMBLY INSTRUCTIONS

### STEP 3



**\*\* BACK VIEW**

### STEP 4

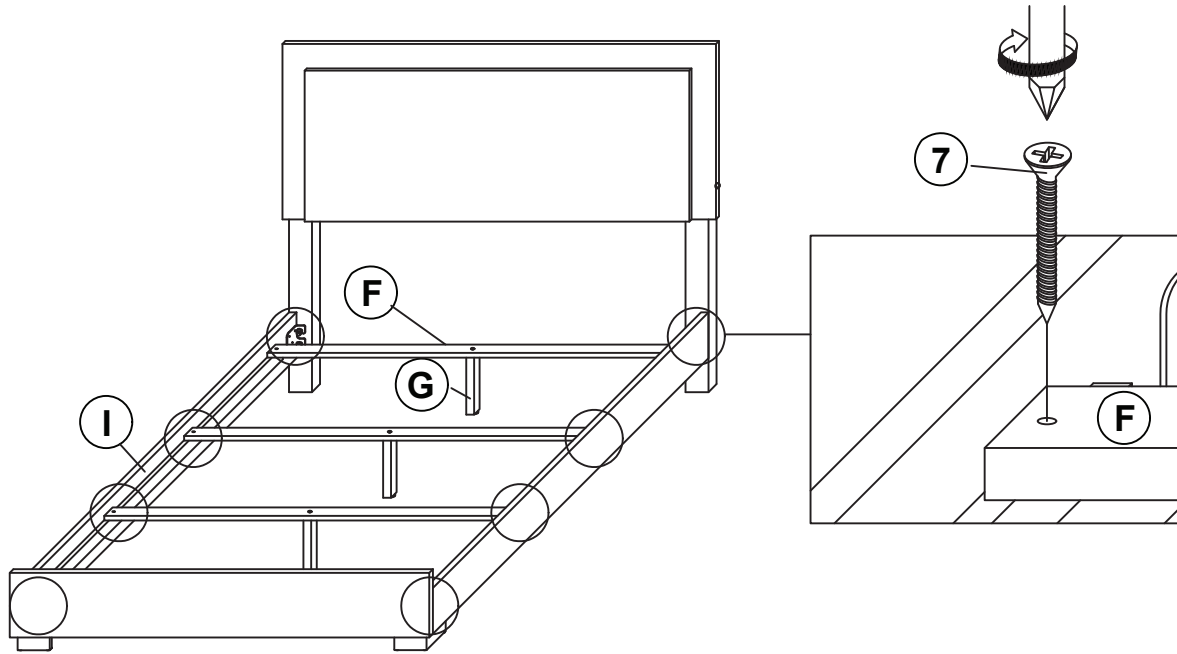


# ITEM: 222831F(B1&B2)

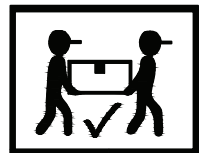
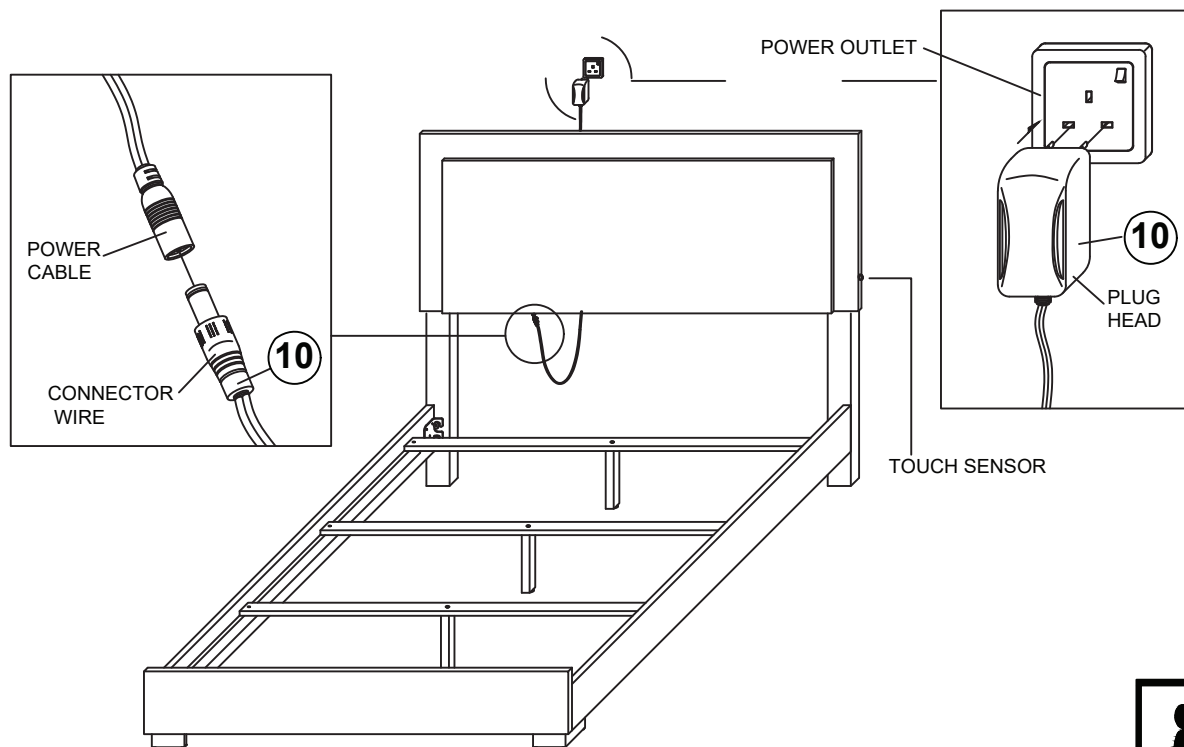


## ASSEMBLY INSTRUCTIONS

### STEP 5



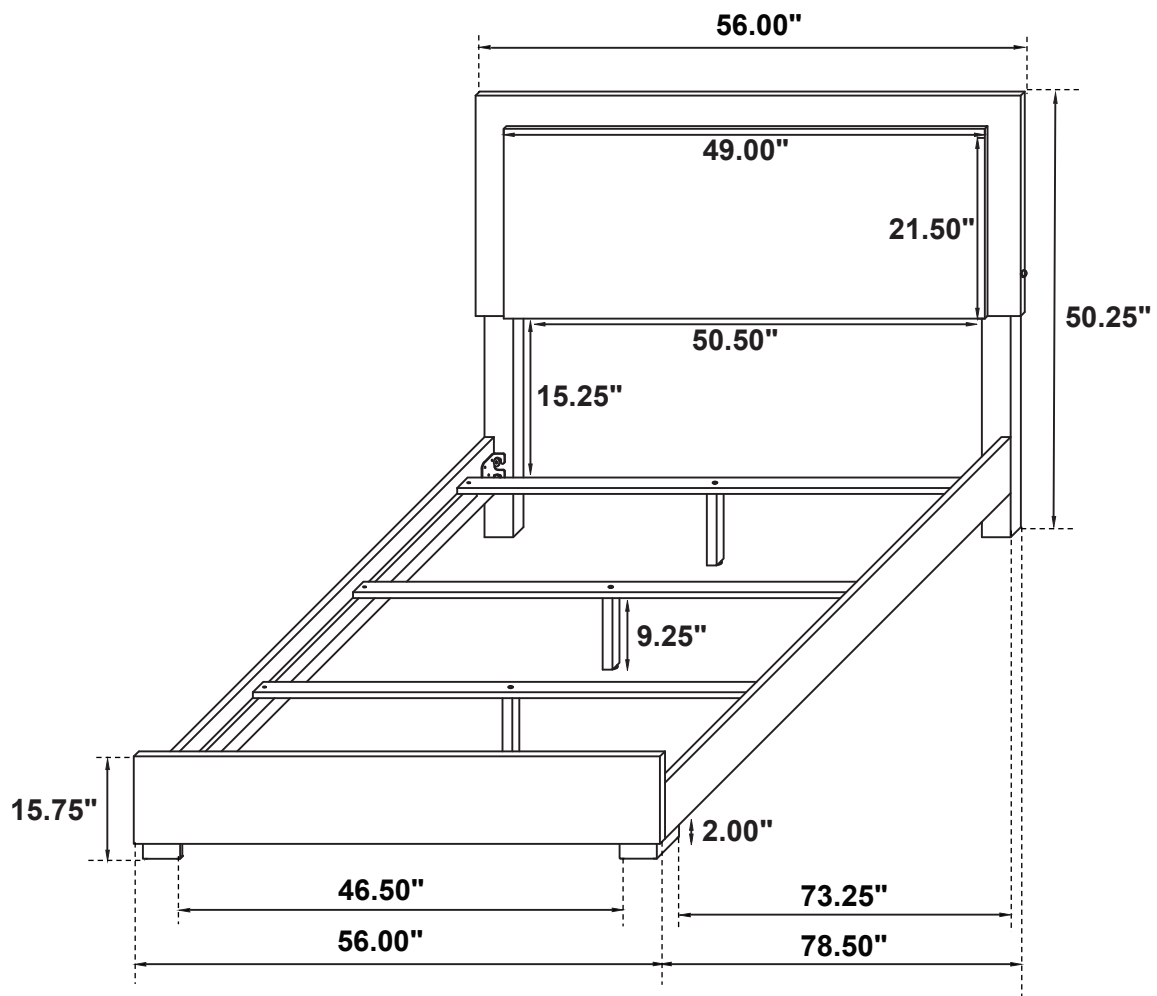
### STEP 6 COMPLETE



ITEM: **222831F(B1&B2)**



Inner Size : 60.75"W X 80.00"D



Note : Dimension tolerance  $\pm 5\%$