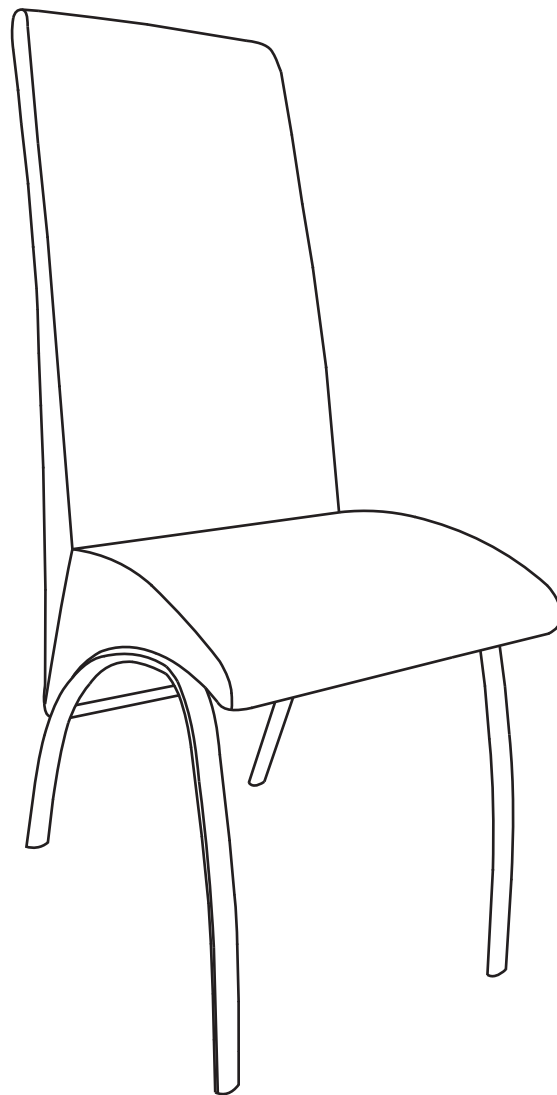




ASSEMBLY INSTRUCTIONS  
COASTER FINE FURNITURE



121572  
Dining Chair

# ITEM: 121572



## ASSEMBLY INSTRUCTIONS

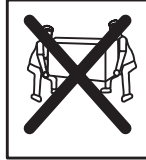
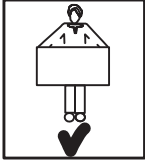
### ASSEMBLY TIPS:

1. Remove hardware from box and sort by size.
2. Please check to see that all hardware and parts are present prior to start of assembly.
3. Please follow attached instructions in the same sequence as numbered to assure fast & easy assembly.





### WARNING!

1. Don't attempt to repair or modify parts that are broken or defective. Please contact the store immediately.
2. This product is for home use only and not intended for commercial establishments.






**ASSEMBLY TIME** 3 MINUTES

### PARTS IDENTIFICATION

	PART NAME	FIGURE	QTY
A	SEAT		1PC
B	LEG		1PC

## HARDWARE IDENTIFICATION

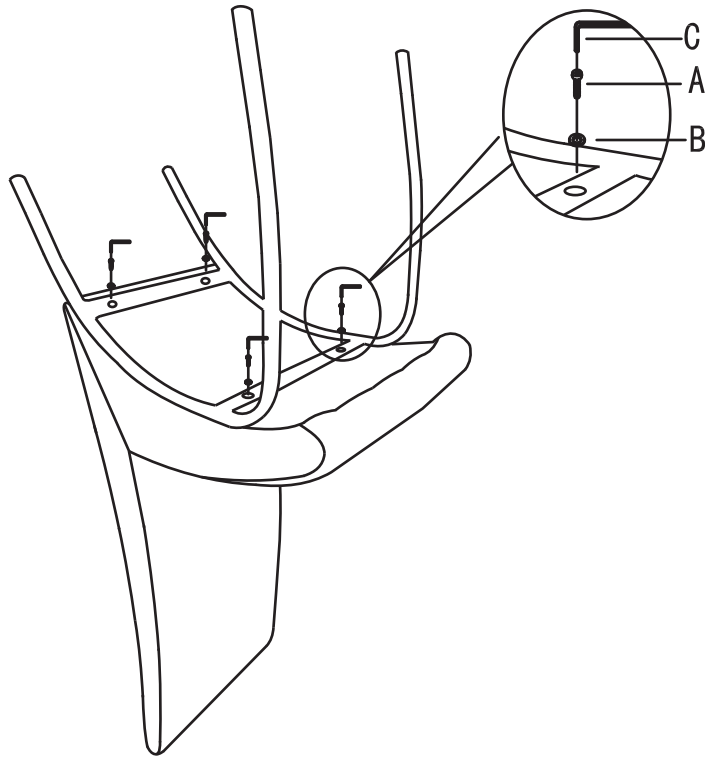
	HARDWARE NAME	FIGURE	QTY
1	BOLT $\phi 8 \times 40 \text{mm}$		4PCS
2	WASHER $\phi 18 \text{mm}$		4PCS
3	ALLEN WRENCH $\phi 5 \text{mm}$		1PC

ITEM: 121572

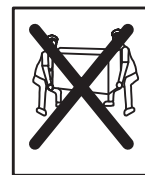
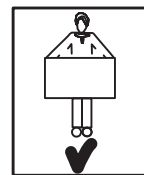
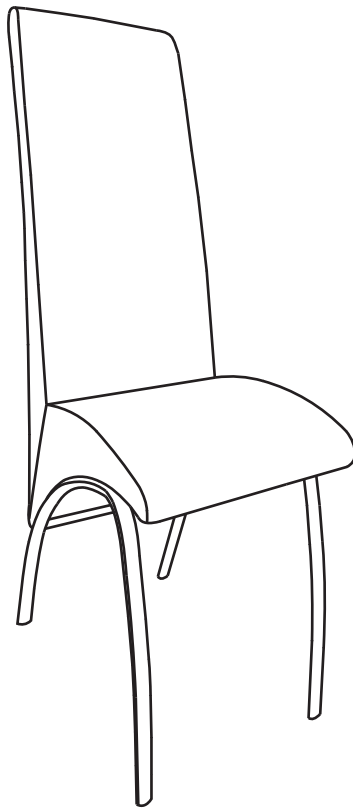
ASSEMBLY INSTRUCTIONS



STEP 1

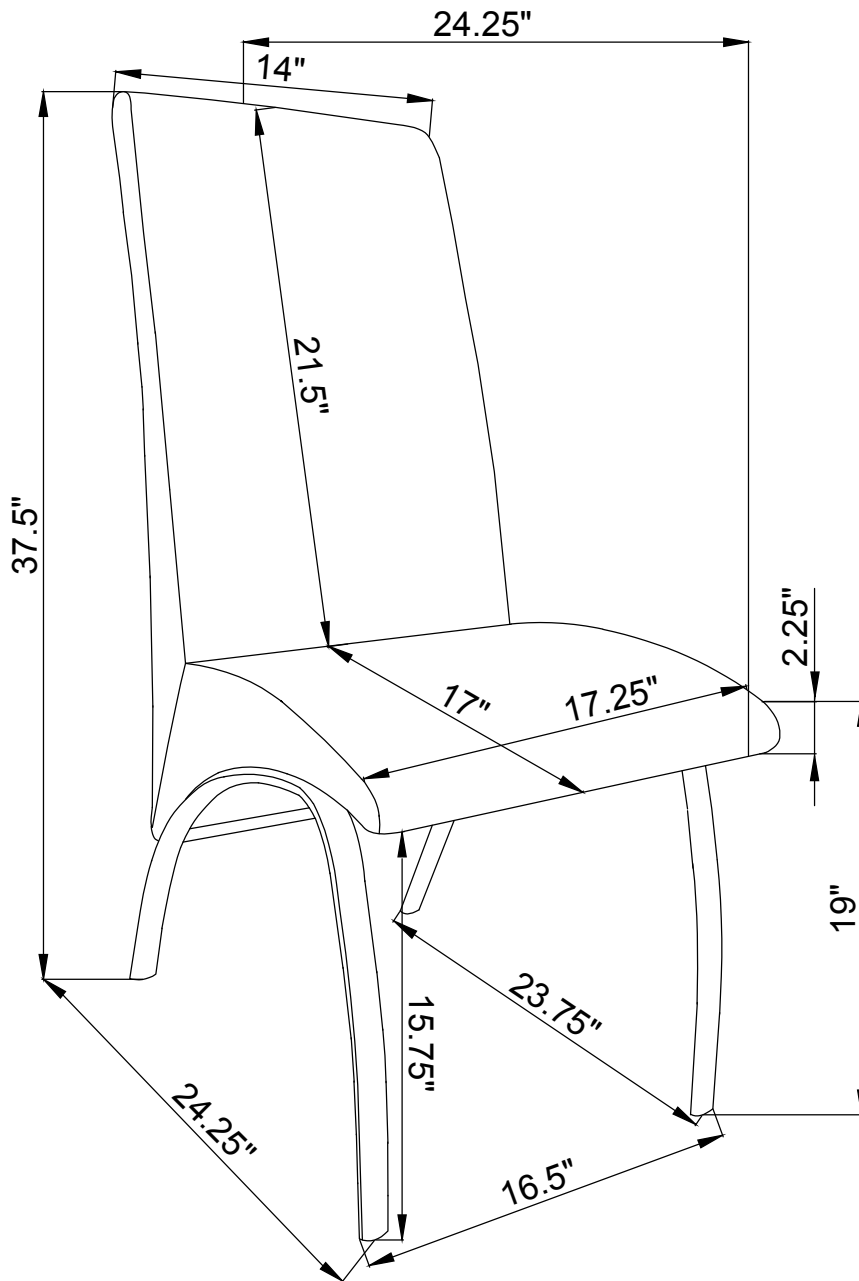


STEP 2



ITEM: 121572

ASSEMBLY INSTRUCTIONS



COASTERFURNITURE.COM