



# ASSEMBLY INSTRUCTIONS COASTER FINE FURNITURE



## 193312 DINING CHAIR

ITEM:193312



## ASSEMBLY INSTRUCTIONS

### ASSEMBLY TIPS:

1. Remove hardware from box and sort by size.
2. Please check to see that all hardware and parts are present prior to start of assembly.
3. Please follow attached instructions in the same sequence as numbered to assure fast & easy assembly.

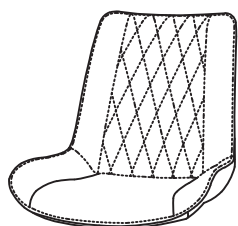


### WARNING!

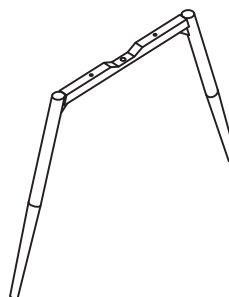
1. Don't attempt to repair or modify parts that are broken or defective. Please contact the store immediately.
2. This product is for home use only and not intended for commercial establishments.

ASSEMBLY TIME

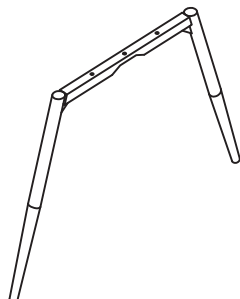
5 MINUTES



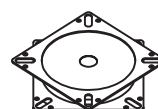
A SEAT AND BACK IPC



C LOWER LEG IPC







B UPPER LEG IPC



D SWIVEL IPC

## HARDWARE IDENTIFICATION

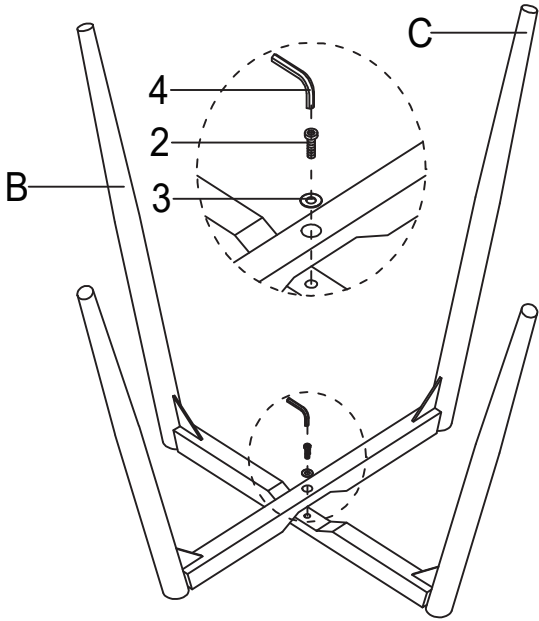
Z	HARDWARE NAME	FIGURE	QTY
1	BOLT	 M6*16	6PCS
2	BOLT	 M6*25	3PCS
3	FLAT WASHER		9PCS
4	ALLEN WRENCH	 M5	1PC

ITEM:193312

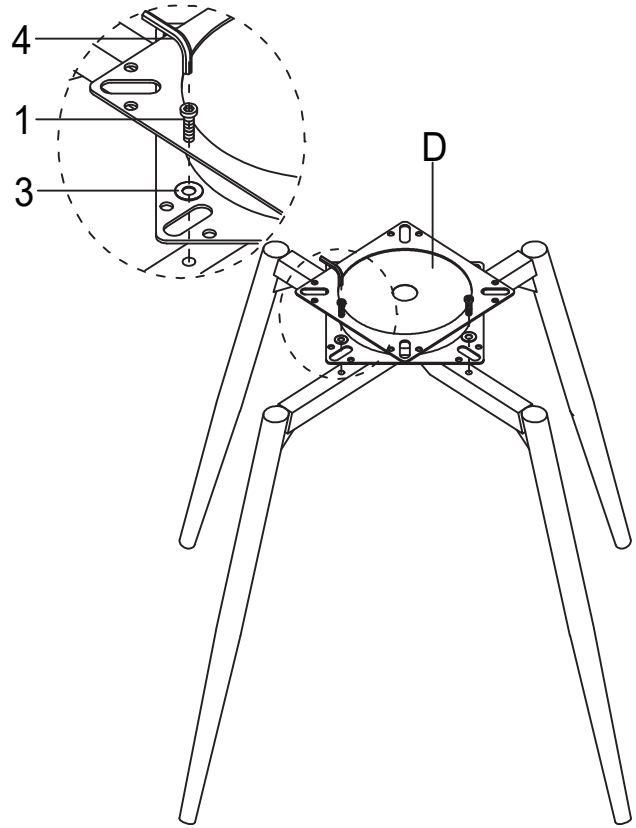
ASSEMBLY INSTRUCTIONS



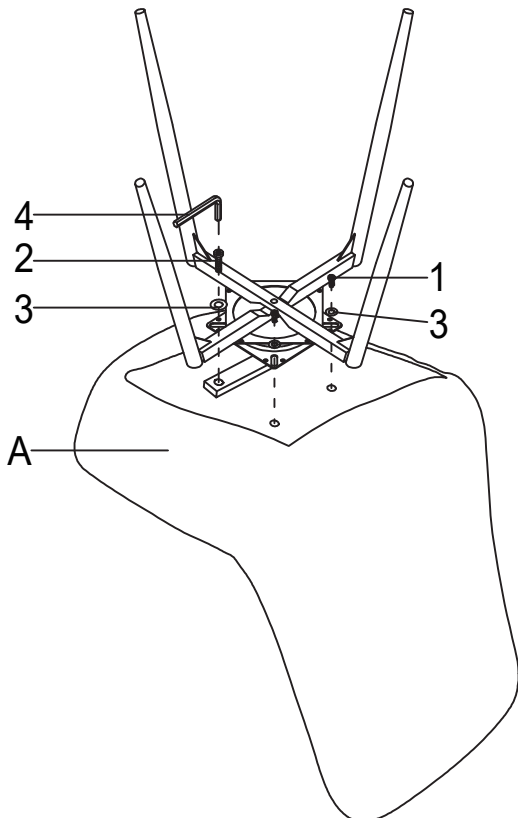
STEP 1



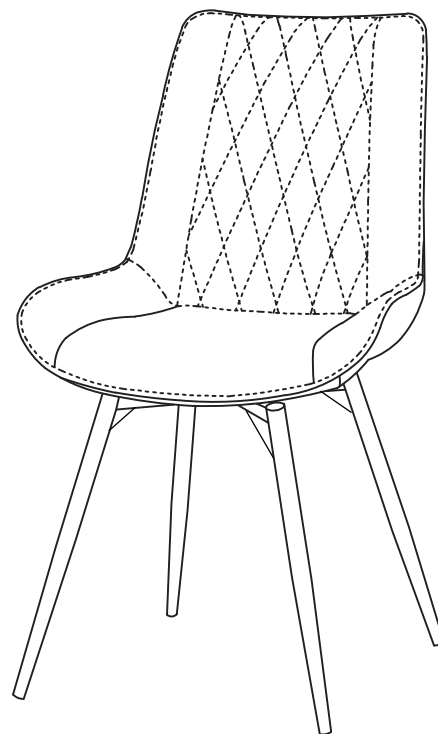
STEP 2



STEP 3



STEP 4



COASTERFURNITURE.COM

