

ASSEMBLY INSTRUCTIONS
COASTER FINE FURNITURE



193812
DINING CHAIR

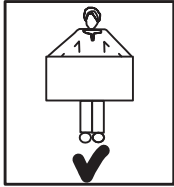
ASSEMBLY INSTRUCTIONS

1. Remove hardware from box and sort by size.
2. Please check to see that all hardware and parts are present prior to start of assembly.
3. Please follow attached instructions in the same sequence as numbered to assure fast & easy assembly.




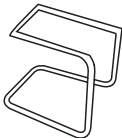
WARNING!

1. Don't attempt to repair or modify parts that are broken or defective. Please contact the store immediately.
2. This product is for home use only and not intended for commercial establishments.






| | |
|---------------|-----------|
| ASSEMBLY TIME | 3 MINUTES |
|---------------|-----------|

PARTS IDENTIFICATION

| | PART NAME | FIGURE | QTY |
|---|---------------|--|-----|
| A | SEAT AND BACK |  | 1PC |
| B | BASE |  | 1PC |

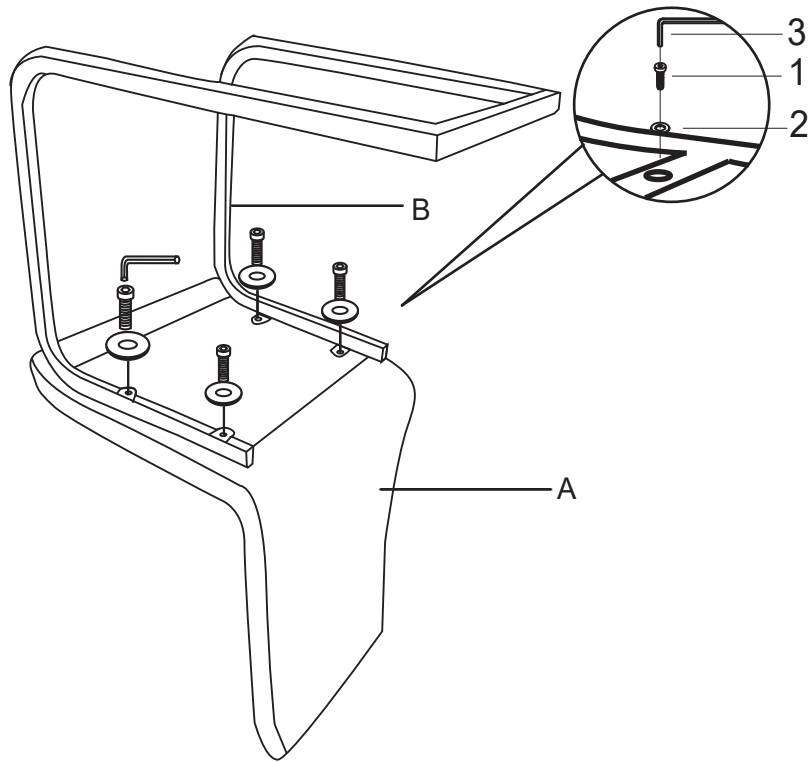
HARDWARE IDENTIFICATION

| Z | HARDWARENAME | FIGURE | QTY |
|---|--------------------------|---|------|
| 1 | BOLT 6*18mm |  | 4PCS |
| 2 | ALLEN WRENCH ϕ 18mm |  | 4PCS |
| 3 | WASHER 5mm |  | 1PC |

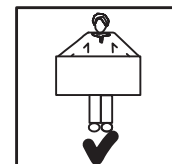
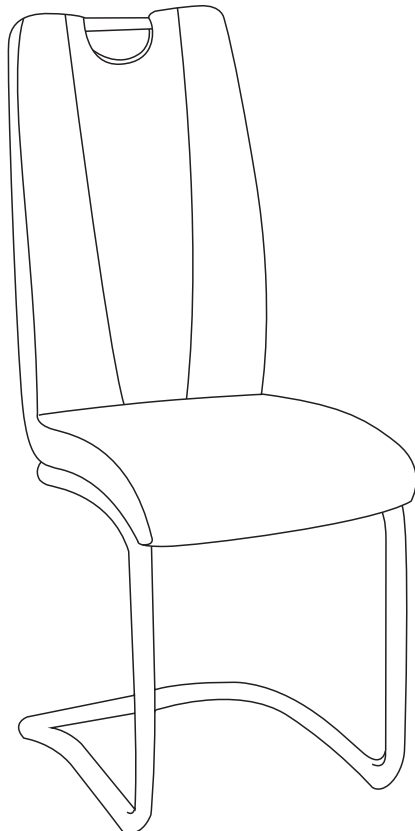
NOTE:

Phillips head screw driver is required in the assembly process; however, manufacturer does not provide this item.

STEP 1



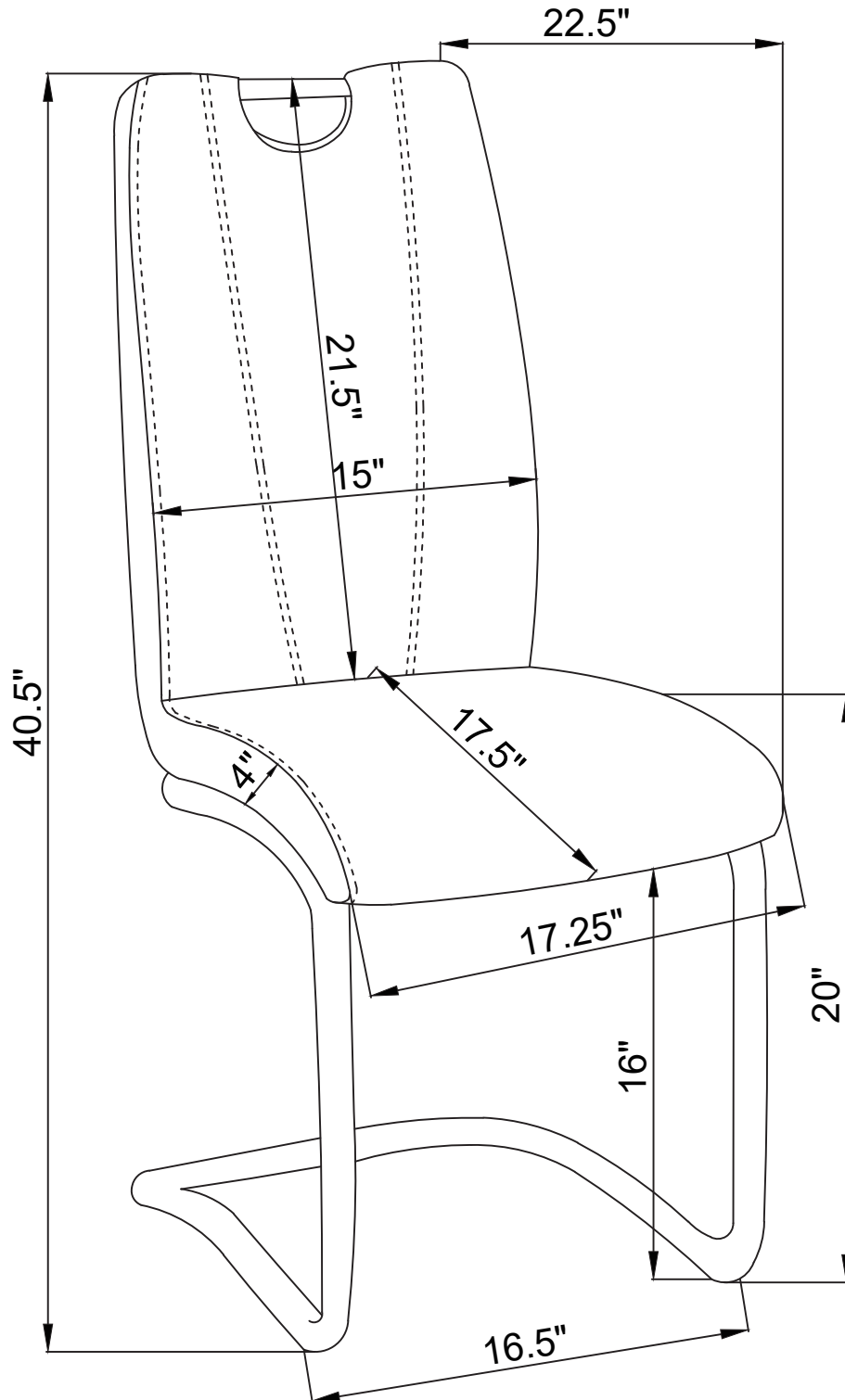
STEP 2



ITEM:193812

ASSEMBLY INSTRUCTIONS

COASTER
FINE FURNITURE



COASTERFURNITURE.COM