

ASSEMBLY INSTRUCTIONS
COASTER FINE FURNITURE



Fine Furniture for every stage of life

300407F
Full Bed

ITEM:300407F



ASSEMBLY INSTRUCTIONS

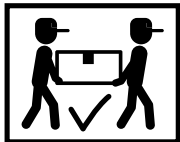
ASSEMBLY TIPS:

1. Remove hardware from box and sort by size.
2. Please check to see that all hardware and parts are present prior to start of assembly.
3. Please follow attached instructions in the same sequence as numbered to assure fast & easy assembly.



WARNING !

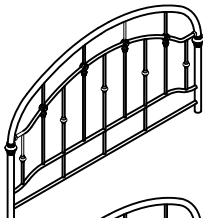
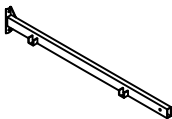
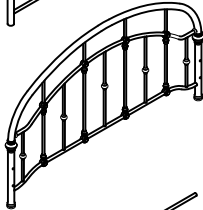
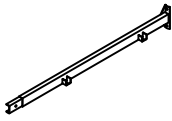
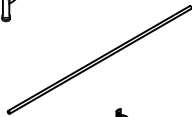
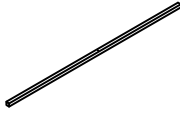



1. Don't attempt to repair or modify parts that are broken or defective. Please contact the store immediately.
2. This product is for home use only and not intended for commercial establishment.





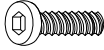
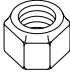

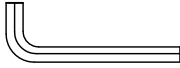


ASSEMBLY TIME

20 MINUTE

PARTS IDENTIFICATION

A HEADBOARD		1PC	E SIDE RAIL 1		2PCS
B FOOTBOARD		1PC	F SIDE RAIL 2		2PCS
C CROSSBAR		1PC	G SLAT 1		2PCS
D LEG		2PCS	H SLAT 2		2PCS
			I SUPPORT LEG		6PCS

HARDWARE IDENTIFICATION

1	BOLT (1/4"x2" - BLK)		6PCS	5	WASHER (φ16mm - BLK)		30PCS
2	BOLT (1/4"x5/8" - BLK)		16PCS	6	NUT (φ1/4" - BLK)		4PCS
3	BOLT (1/4"x7/8" - BLK)		4PCS	7	ALLEN KEY (4x22x60mm - BLK)		1PC
4	BOLT (1/4"x1-3/4" - BLK)		6PCS	8	WRENCH (WHT)		1PC

NOTE:

Phillips head screw driver is required in the assembly process; however, manufacturer does not provide this item.

ITEM: **300407F**



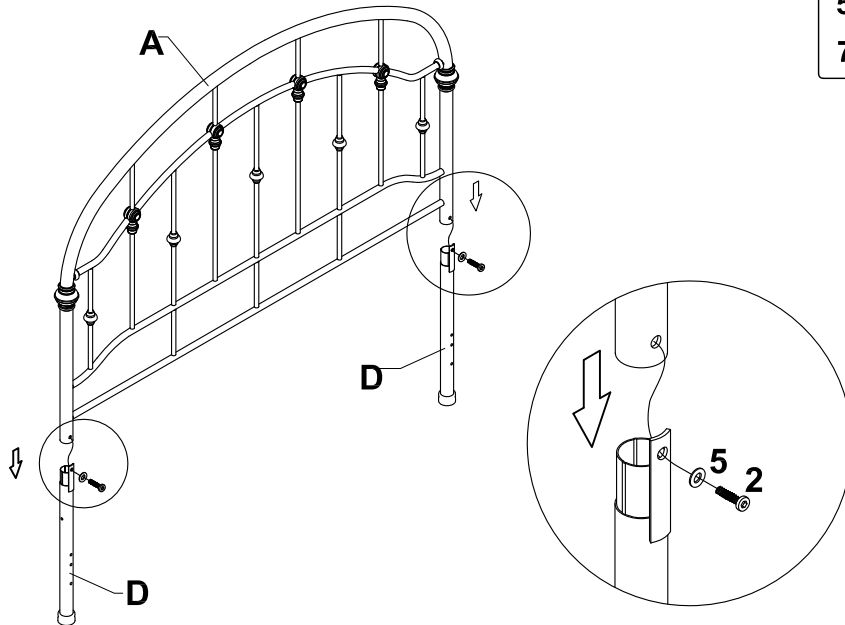
ASSEMBLY INSTRUCTIONS

STEP 1:

ASSEMBLY

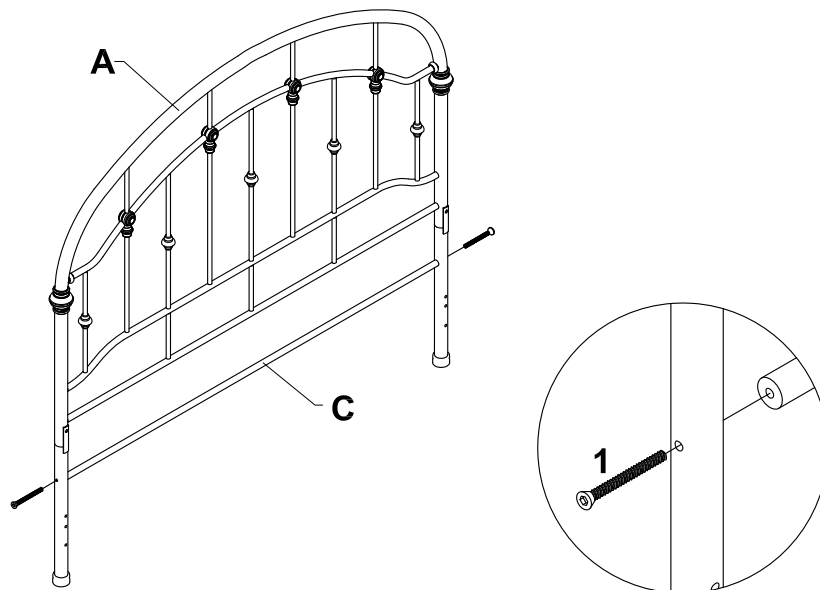
Do not fully tighten all bolts until assembly is complete.
This will help all parts to assemble properly.

2		2PCS
5		2PCS
7		



STEP 2:

1		2PCS
7		



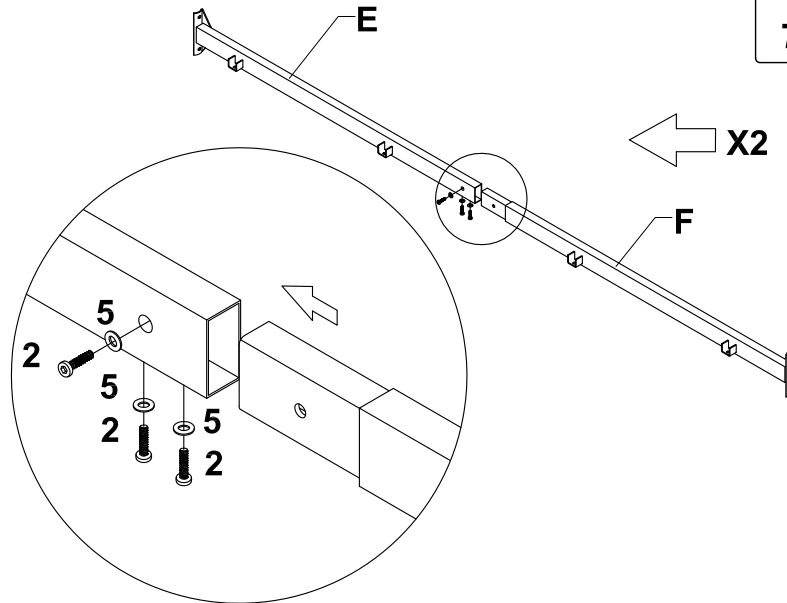
ITEM: **300407F**

ASSEMBLY INSTRUCTIONS

STEP 3:

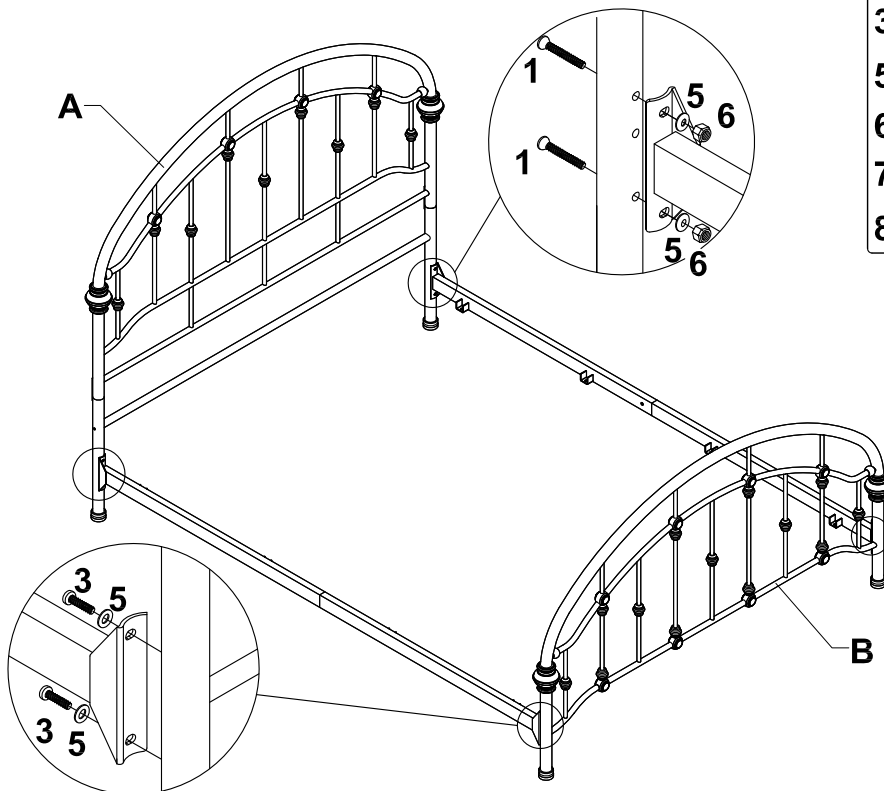


2		6PCS
5		6PCS
7		



STEP 4:

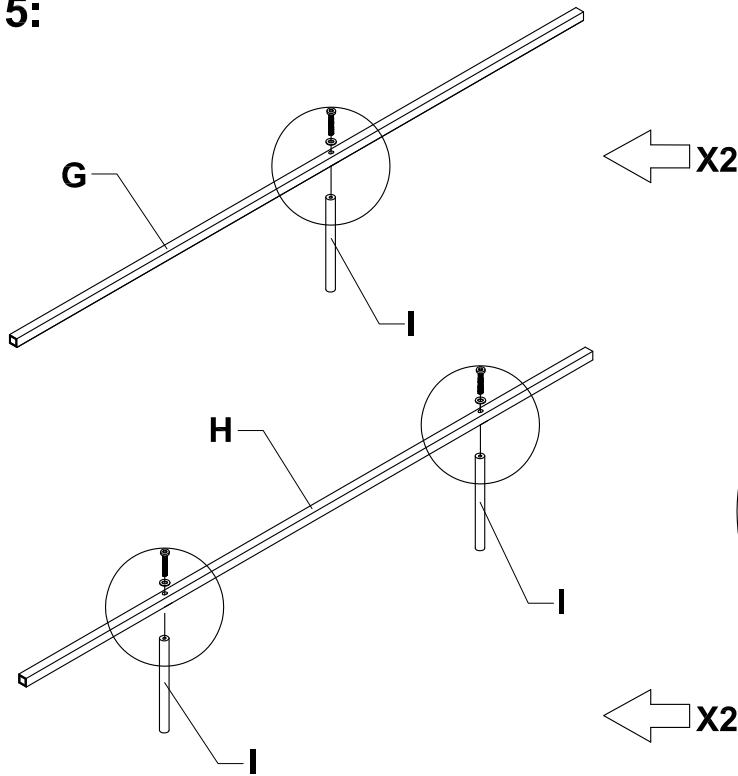
1		4PCS
3		4PCS
5		8PCS
6		4PCS
7		
8		



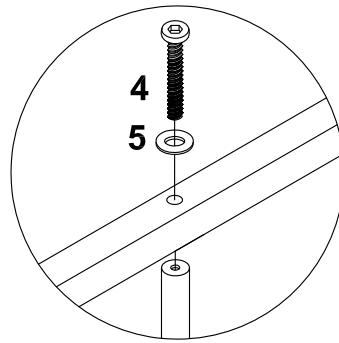
ITEM: **300407F**

ASSEMBLY INSTRUCTIONS

STEP 5:

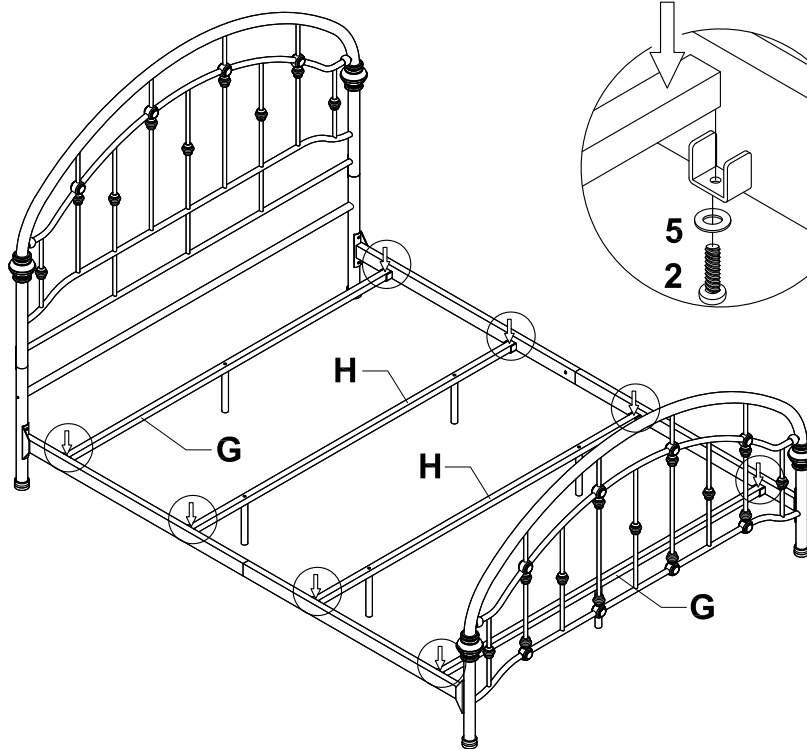


4		6PCS
5		6PCS
7		



ATTENTION: TIGHTEN ALL THE BOLTS AT THIS STEP.

STEP 6:

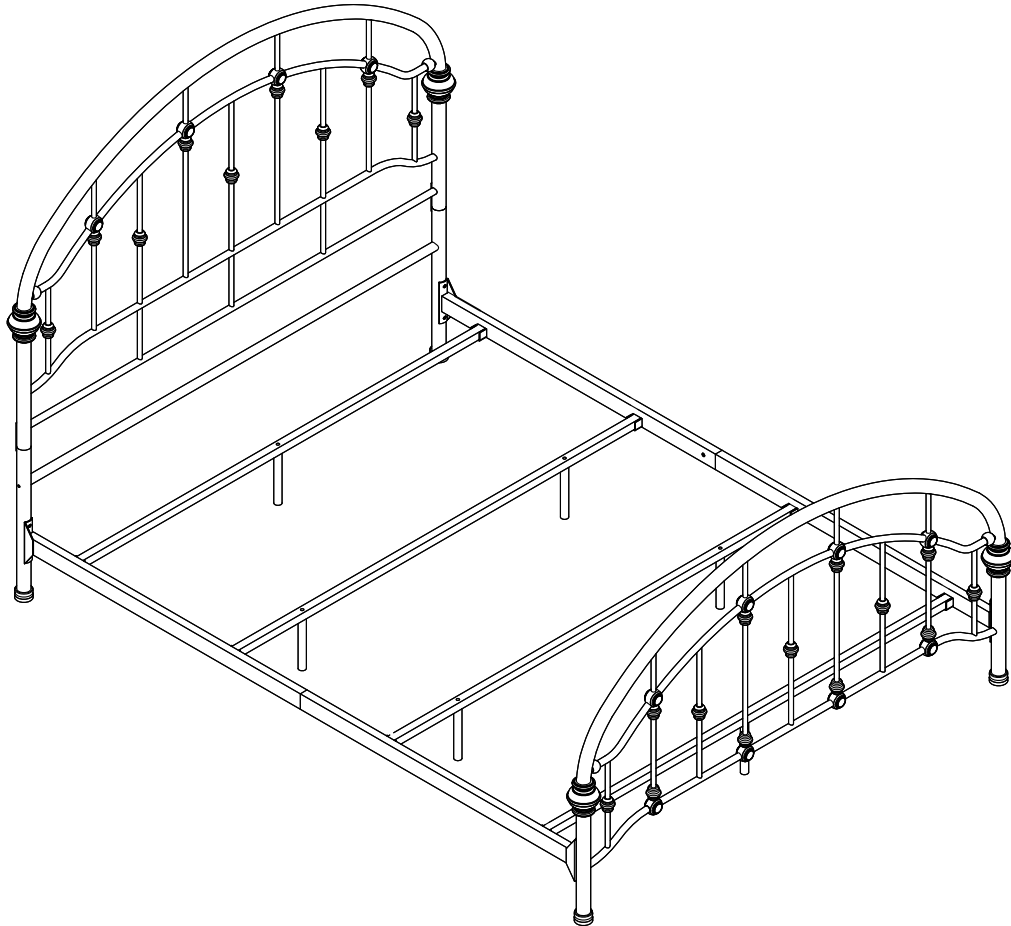


2		8PCS
5		8PCS
7		

ITEM: **300407F**

ASSEMBLY INSTRUCTIONS

STEP 7:



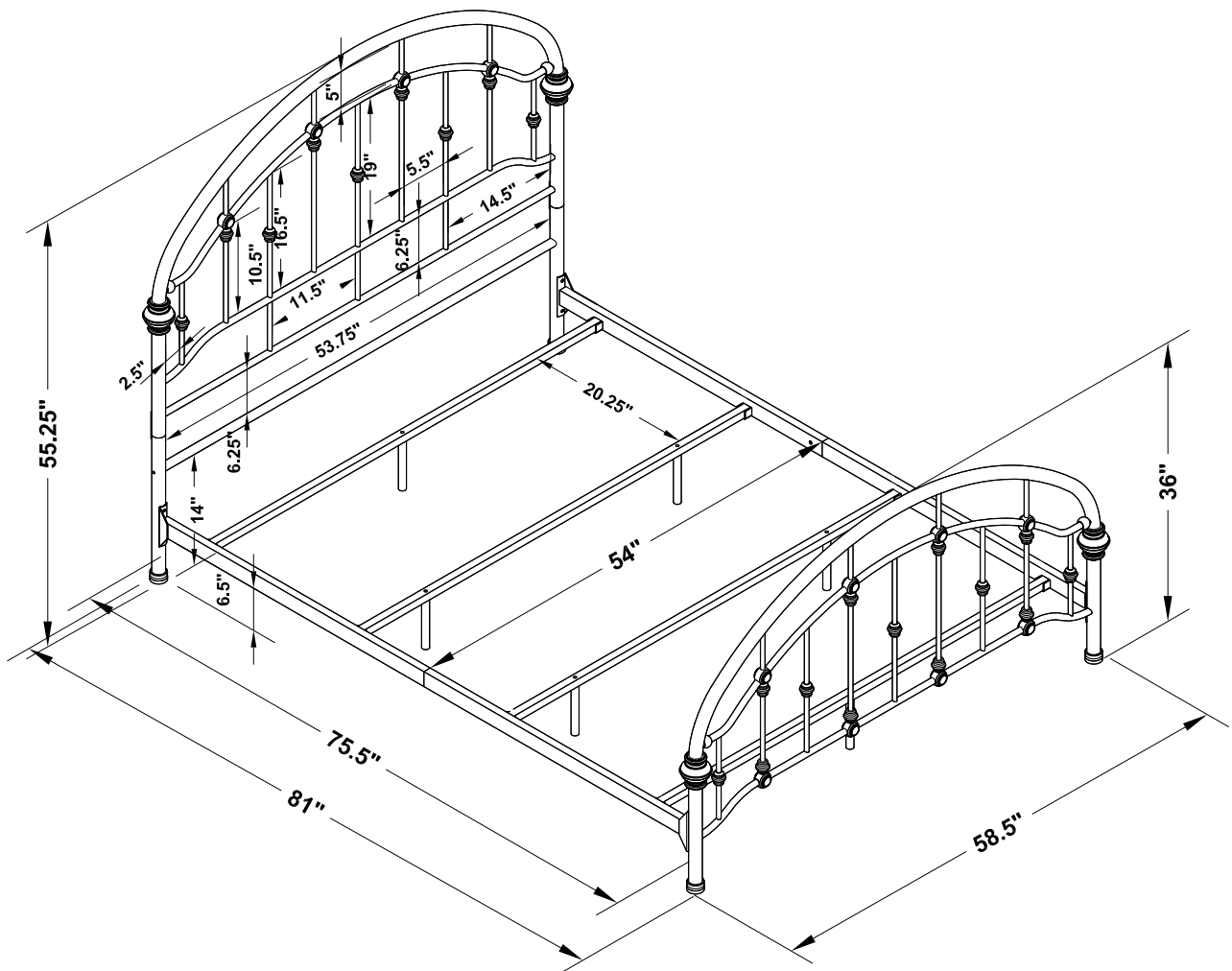
WARNINGS:

- Use only mattress which is 74"-75" long and 53"-54" wide.
- Do not allow horseplay or under the bed and prohibit jumping on the bed.
- Periodically check and ensure that all the components are in their proper position, free from damage, and that all connectors are tight.
- Do not use substitute parts, Contact the store for replacement part.
- Maximum total weight is not to exceed 600 lbs.

- **Keep these instructions for future reference.**

ITEM:300407F

COASTER
FINE FURNITURE



Note : Dimension tolerance $\pm 5\%$