

ASSEMBLY INSTRUCTIONS
COASTER FINE FURNITURE



Fine Furniture for every stage of life

930245(B1-B3)
Vanity Set

ITEM: 930245(B1-B3)



ASSEMBLY INSTRUCTIONS

ASSEMBLY TIPS:

1. Remove hardware from box and sort by size.
2. Please check to see that all hardware and parts are present prior to start of assembly.
3. Please follow attached instructions in the same sequence as numbered to assure fast & easy assembly.

WARNING!



1. Don't attempt to repair or modify parts that are broken or defective. Please contact the store immediately.
2. This product is for home use only and not intended for commercial establishments.



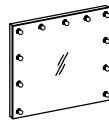
ASSEMBLY TIME

30 MINUTES

PARTS IDENTIFICATION

B1 (BOX 1)

A MIRROR



1PC

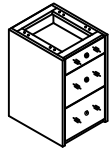
B MIRROR SUPPORT



2PCS

B2 (BOX 2)

C COMPARTMENT



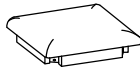
2PCS

E STOOL LEG



4PCS

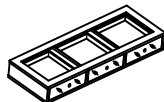
D STOOL SEAT



1PC

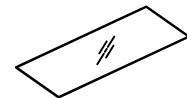
B3 (BOX 3)

F UPPER CABINET



1PC

G GLASS



1PC

NOTE:

Phillips head screw driver is required in the assembly process; however, manufactures does not provide this item.

ITEM: 930245(B1-B3)



ASSEMBLY INSTRUCTIONS

ASSEMBLY TIPS:

1. Remove hardware from box and sort by size.
2. Please check to see that all hardware and parts are present prior to start of assembly.
3. Please follow attached instructions in the same sequence as numbered to assure fast & easy assembly.







WARNING!



1. Don't attempt to repair or modify parts that are broken or defective. Please contact the store immediately.
2. This product is for home use only and not intended for commercial establishments.

HARDWARE IDENTIFICATION

Z-B2 (BOX 2) - HARDWARE PACK IS LOCATED IN 930245(B2)

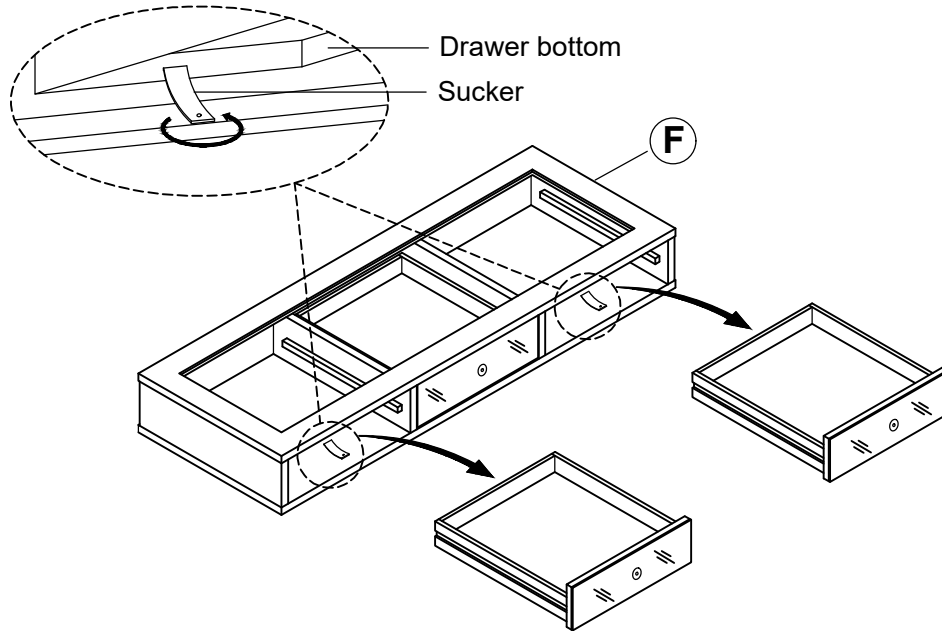
1	LONG BOLT (Ø1/4" x 50mm - RBW)		8PCS	4	LOCK WASHER (Ø1/4" - RBW)		24PCS
2	SHORT BOLT (Ø1/4" x 38mm - RBW)		16PCS	5	WOOD DOWEL Ø8 x 20mm-NTL)		8PCS
3	FLAT WASHER (5/16" x 19mm- RBW)		24PCS	6	ALLEN WRENCH (4 x 57mm - RBW)		1PC

NOTE:

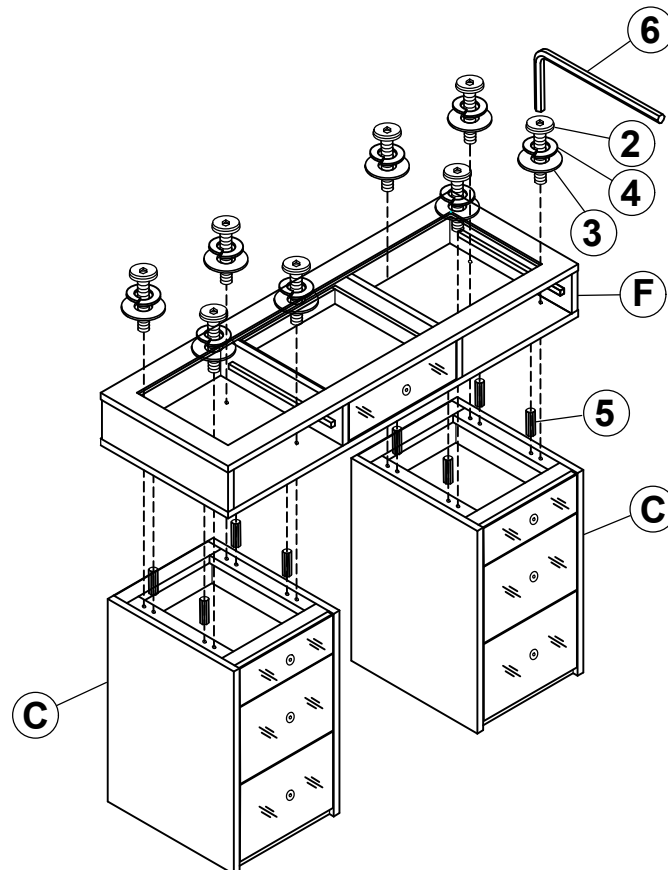
Phillips head screw driver is required in the assembly process; however, manufactures does not provide this item.

ITEM: **930245(B1-B3)**

ASSEMBLY INSTRUCTIONS
STEP 1



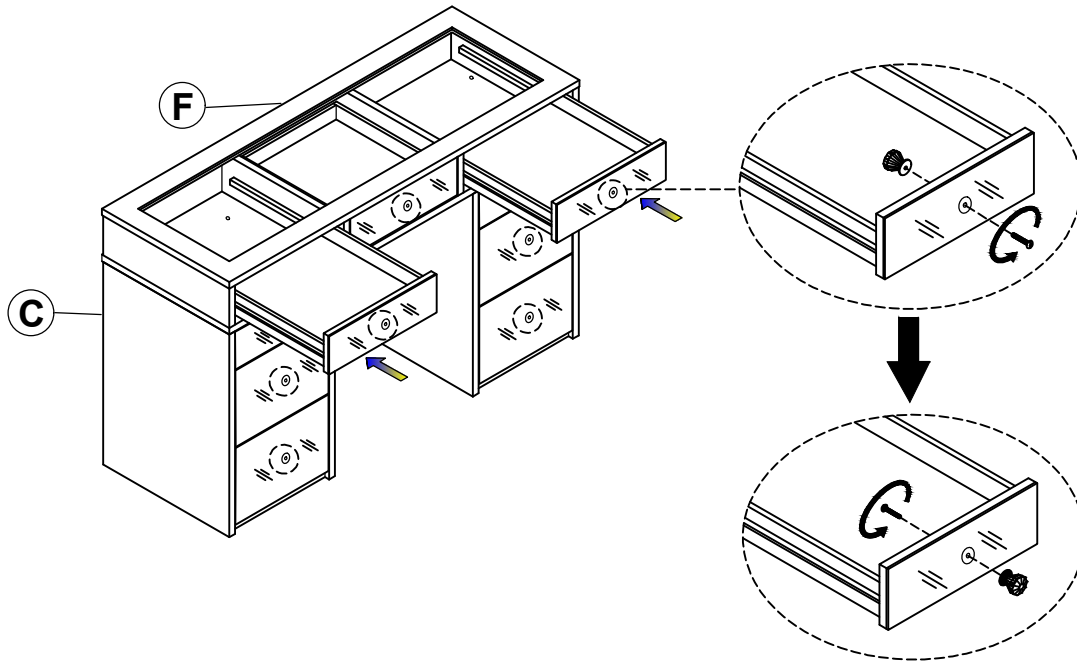
STEP 2



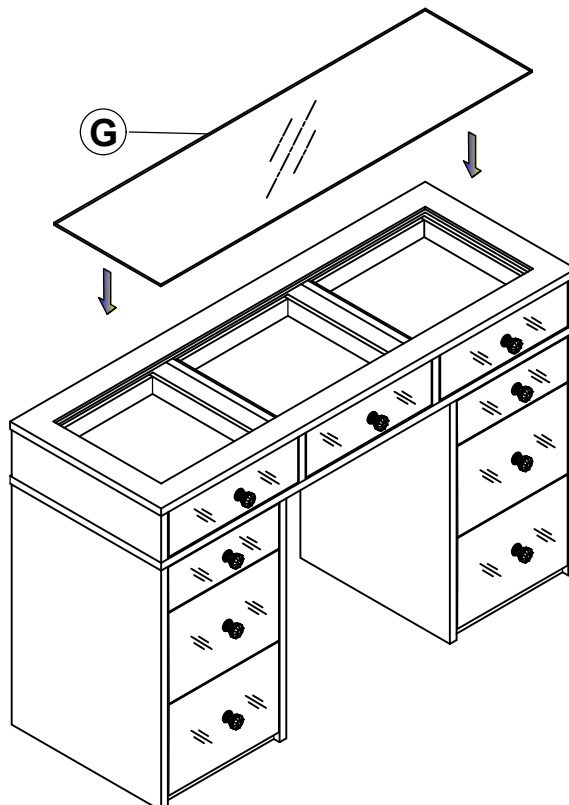
ITEM: **930245(B1-B3)**



ASSEMBLY INSTRUCTIONS
STEP 3

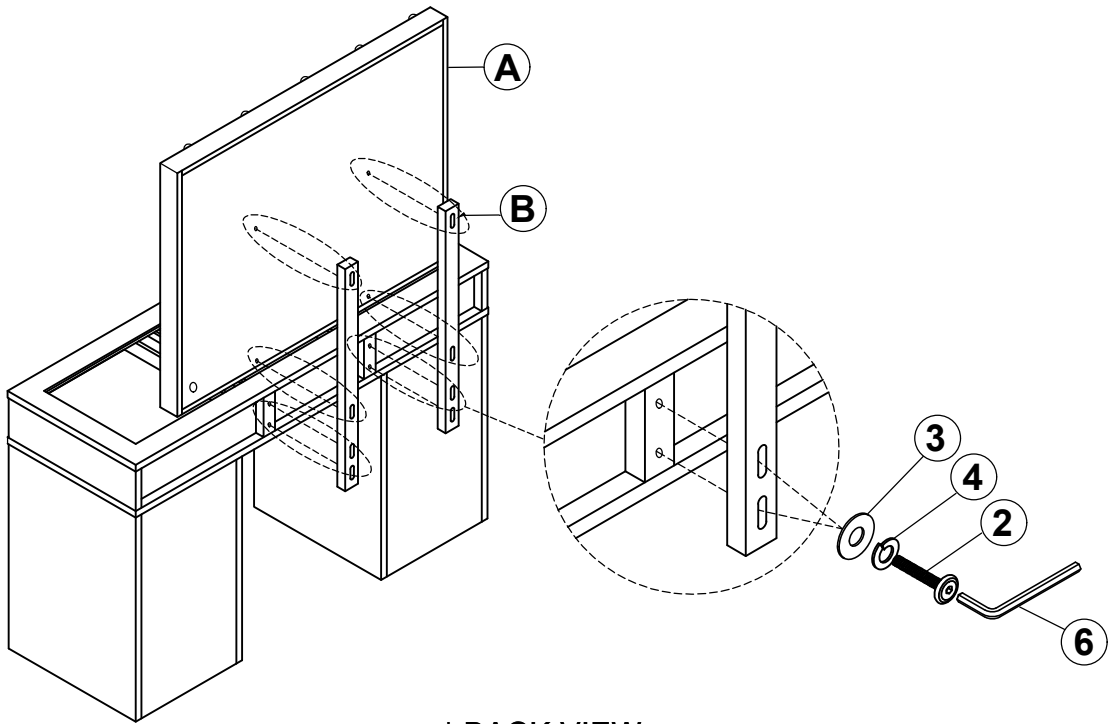


STEP 4



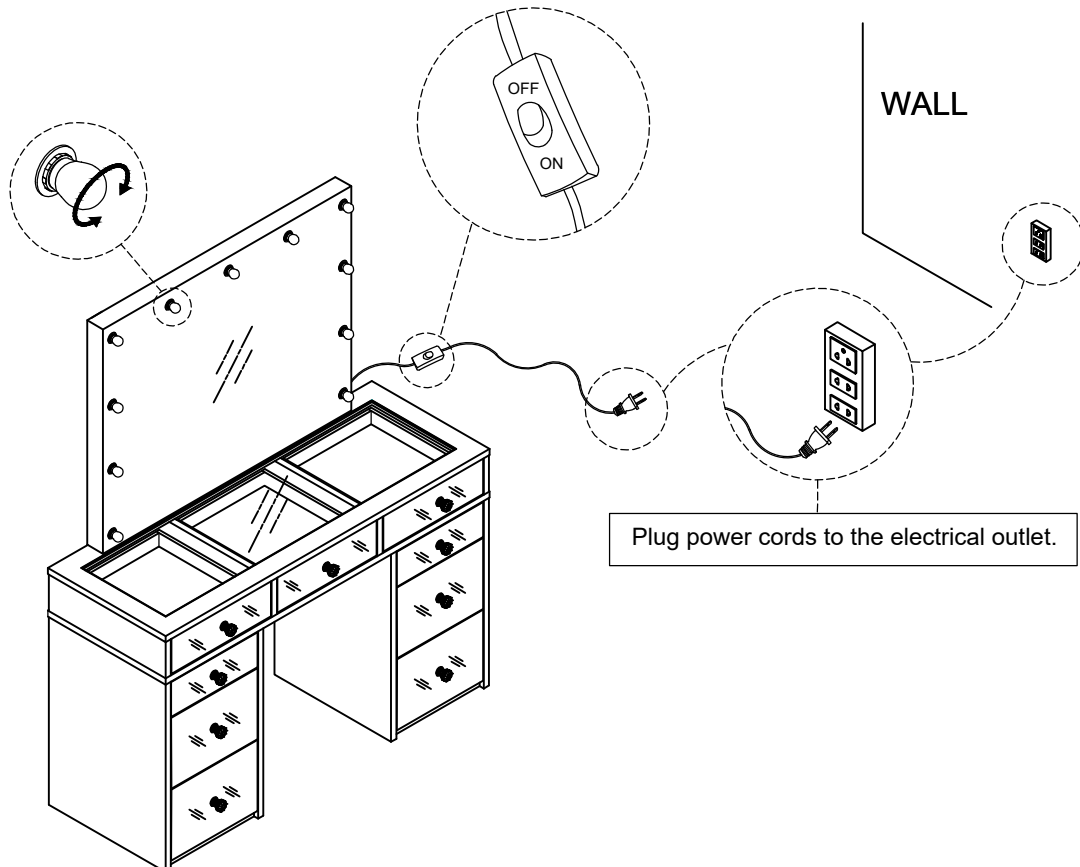
ITEM: 930245(B1-B3)

ASSEMBLY INSTRUCTIONS STEP 5



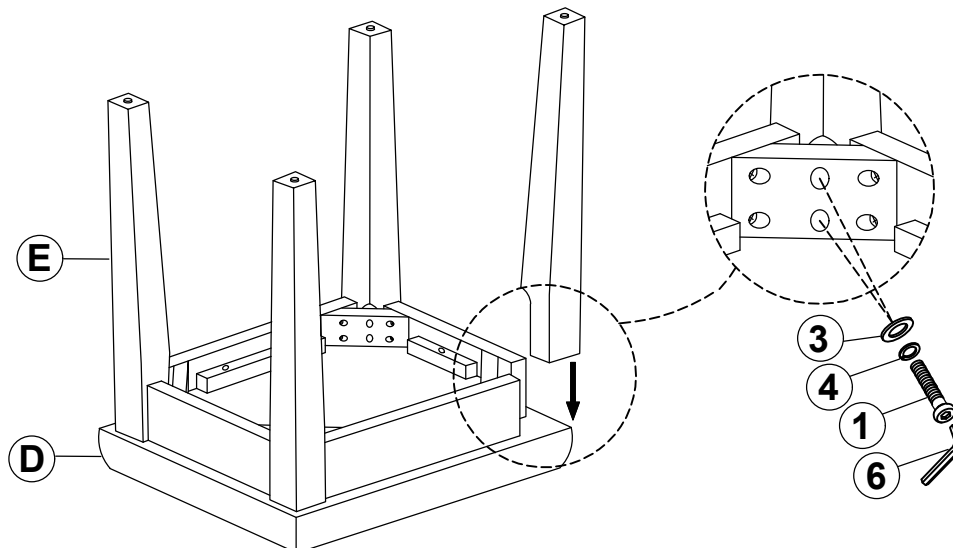
* BACK VIEW

STEP 6

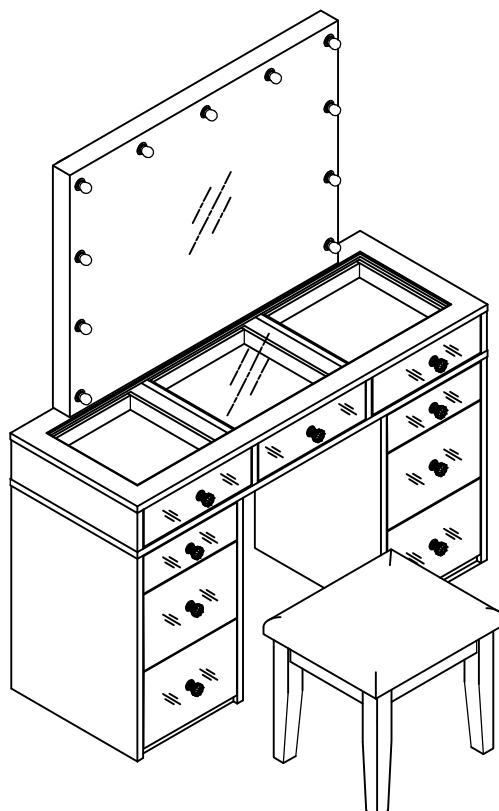


ITEM: **930245(B1-B3)**

ASSEMBLY INSTRUCTIONS
STEP 7



STEP 8
COMPLETE



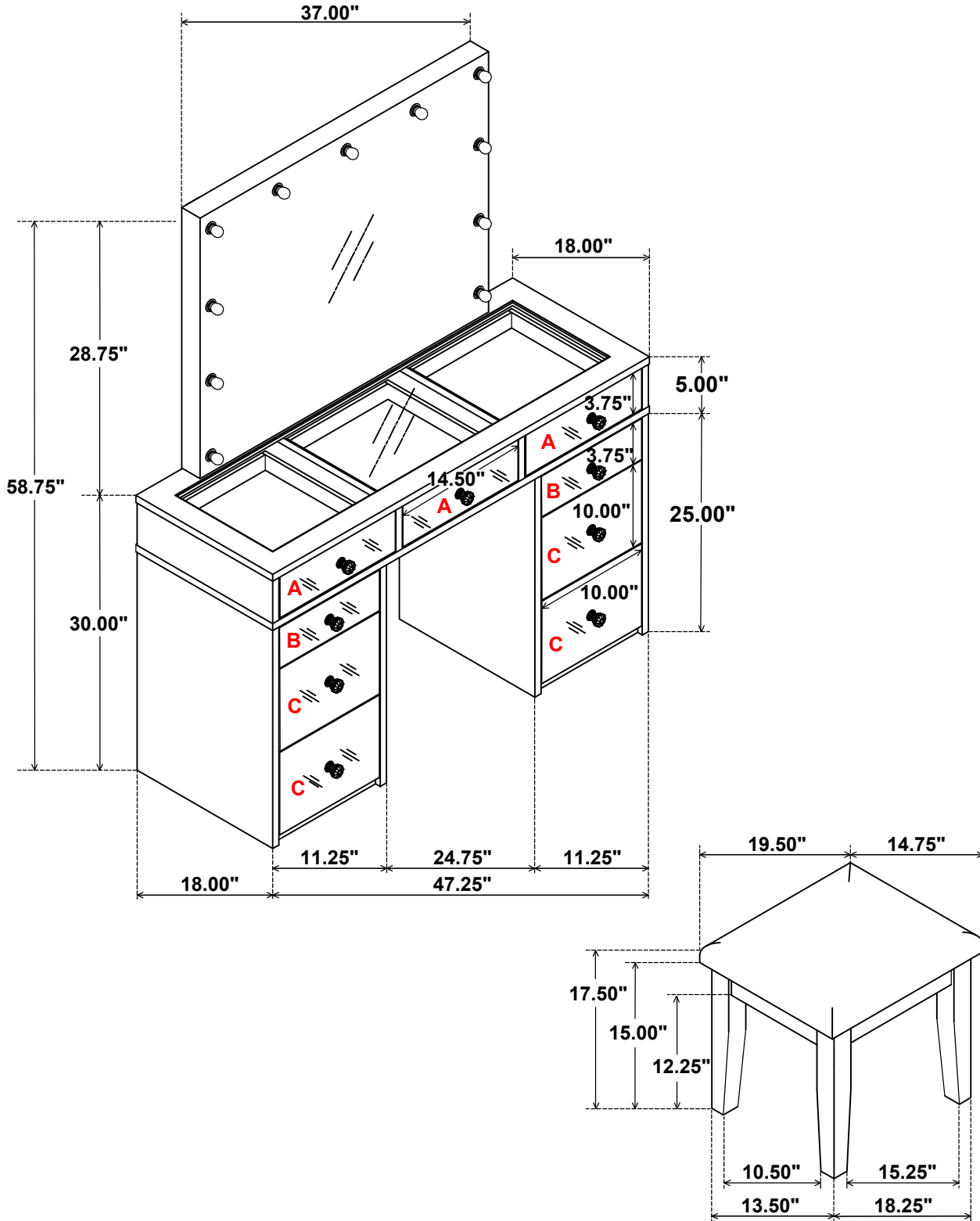
ITEM: 930245(B1-B3)



Inner Size of Drawer A : 13.75"W X 13.75"D X 2.00"H X 0.50"T

Inner Size of Drawer B : 8.75"W X 12.50"D X 2.00"H X 0.50"T

Inner Size of Drawer C : 8.75"W X 12.50"D X 7.00"H X 0.50"T



Note: Dimension tolerance $\pm 5\%$