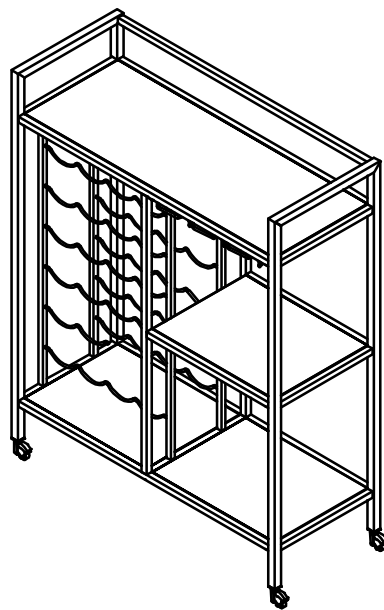


ASSEMBLY INSTRUCTIONS
COASTER FINE FURNITURE



Fine Furniture for every stage of life

181370
SERVING CART

ITEM:181370



ASSEMBLY INSTRUCTIONS

ASSEMBLY TIPS:

1. Remove hardware from box and sort by size.
2. Please check to see that all hardware and parts are present prior to start of assembly.
3. Please follow attached instructions in the same sequence as numbered to assure fast & easy assembly.

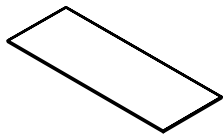
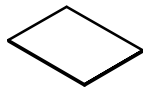

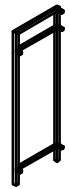




WARNING!

1. Don't attempt to repair or modify parts that are broken or defective. Please contact the store immediately.
2. This product is for home use only and not intended for commercial establishments.

ASSEMBLY TIME 50 MINUTES

PARTS IDENTIFICATION




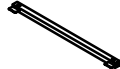



A	TOP GLASS		1PC
B	SHELF GLASS		3PCS
C	BOTTLE RACK		2PCS
D	LEFT FRAME		1PC
E	RIGHT FRAME		1PC
F	TOP CROSSBAR		1PC

ITEM:181370

ASSEMBLY INSTRUCTIONS

PARTS IDENTIFICATION






G	FRONT CROSSBAR		1PC
H	BACK CROSSBAR		1PC
I	BOTTOM CROSSBAR		2PCS
J	MIDDLE CROSSBAR		2PCS
K	TOP SUPPORT CROSSBAR		1PC
L	BOTTOM SUPPORT CROSSBAR		1PC
M	FRONT SUPPORT CROSSBAR		1PC

ITEM:181370









ASSEMBLY INSTRUCTIONS



PARTS IDENTIFICATION

N	BACK SUPPORT CROSSBAR		1PC
O	GLASS HOLDER		3PCS
P	WHEEL		4PCS

HARDWARE IDENTIFICATION

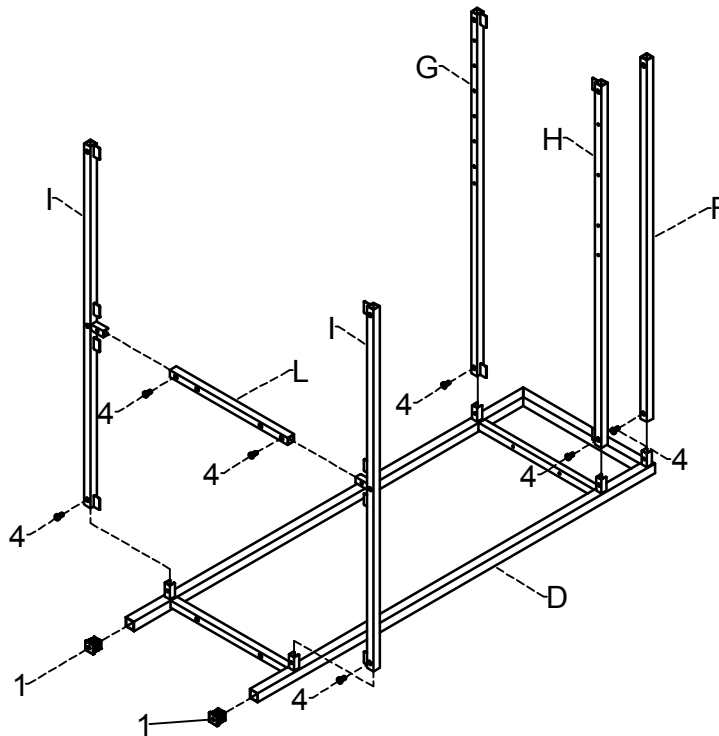
1	CAP (20 x 20 mm BLK)		4PCS	5	LONG BOLT (1/4" x 25mm SR)		6PCS
2	SUCTION CUP (ϕ 10 x 2mm)		16PCS	6	ADHESIVE (13 x 30mm)		2PCS
3	SMALL BOLT (3/16" x 12mm SR)		17PCS	7	ALLEN WRENCH (4mm)		1PC
4	BOLT (1/4" x 12mm SR)		16PCS	8	HEXAGONAL KEY (12mm)		1PC

ITEM:181370

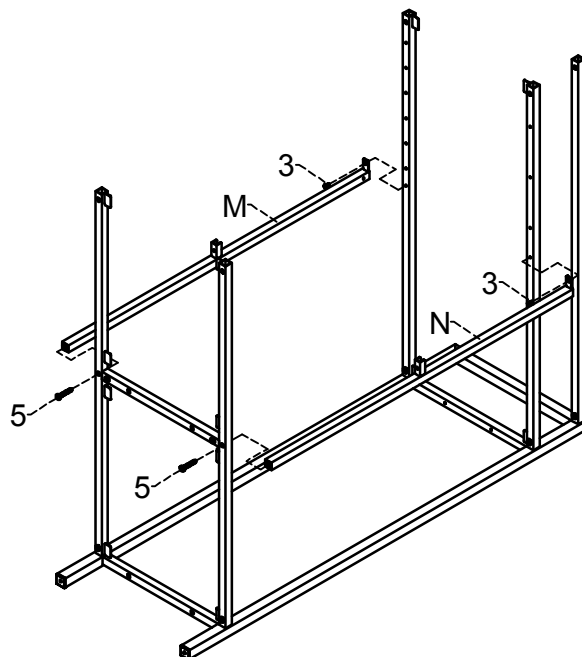
ASSEMBLY INSTRUCTIONS

STEP 1

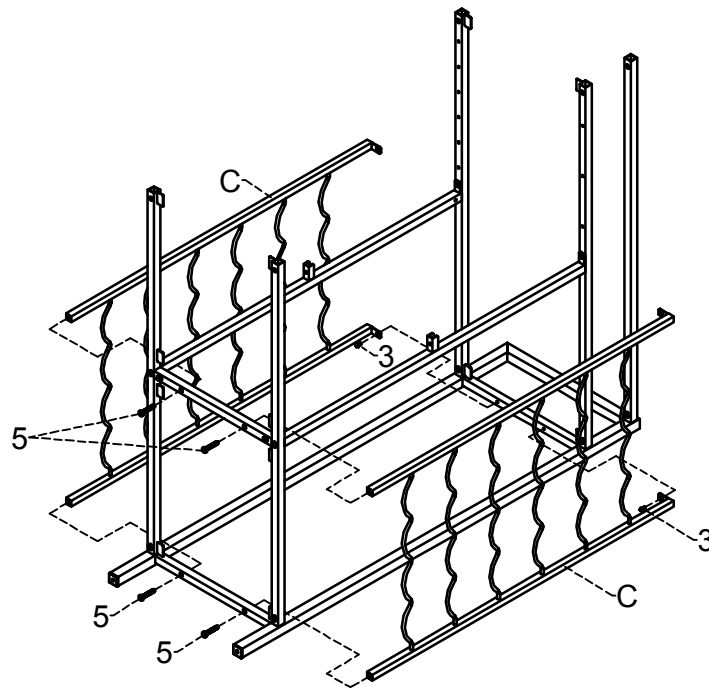
Do not tighten until each step is completed or instructed.



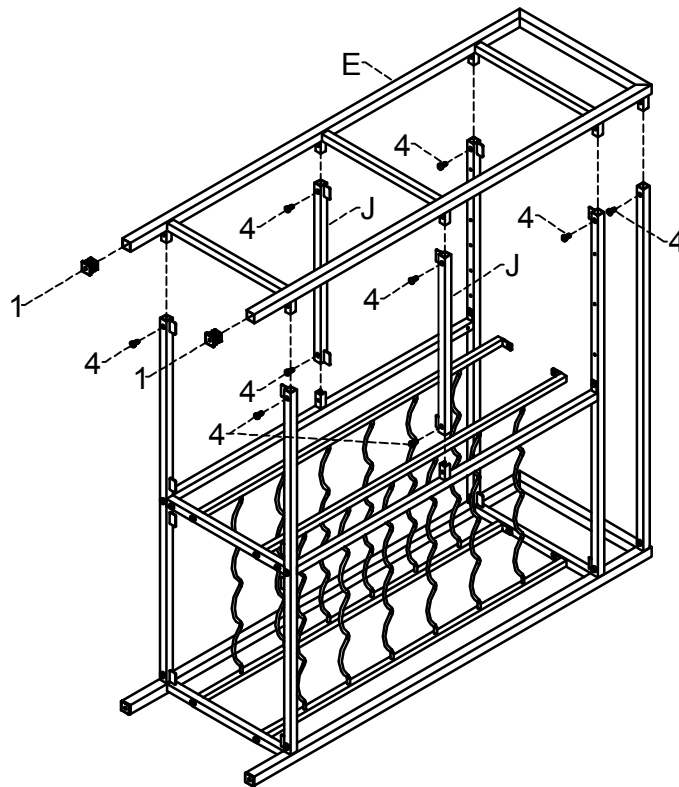
STEP 2



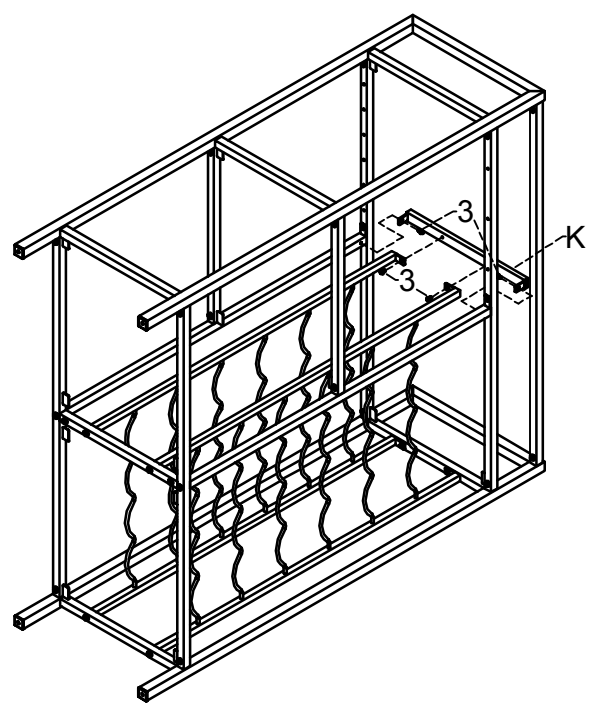
ITEM: 181370
ASSEMBLY INSTRUCTIONS
STEP 3



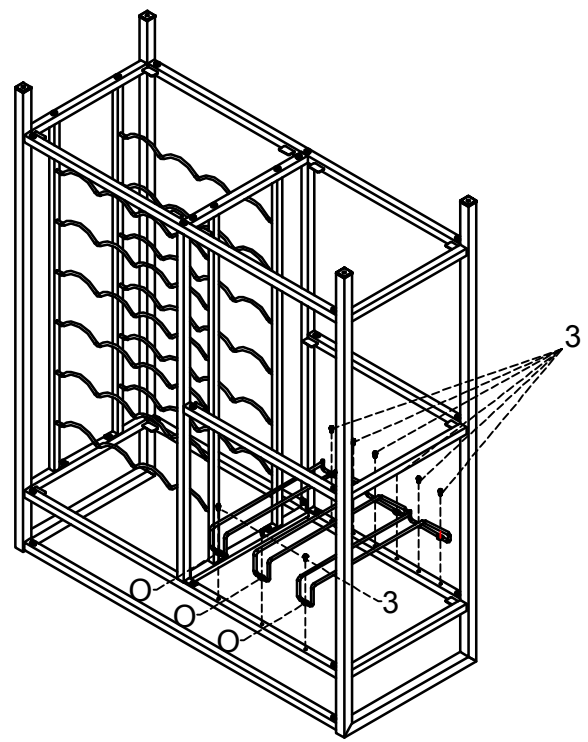
STEP 4



ITEM: 181370
ASSEMBLY INSTRUCTIONS
STEP 5



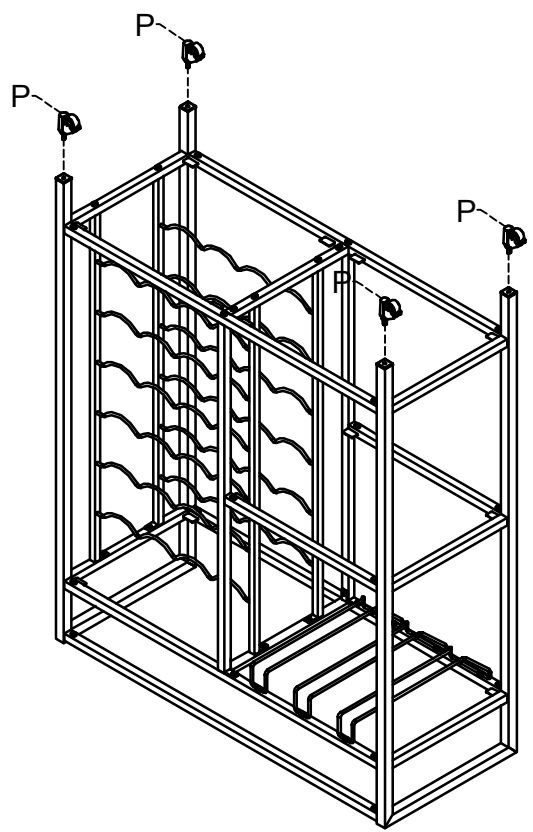
STEP 6



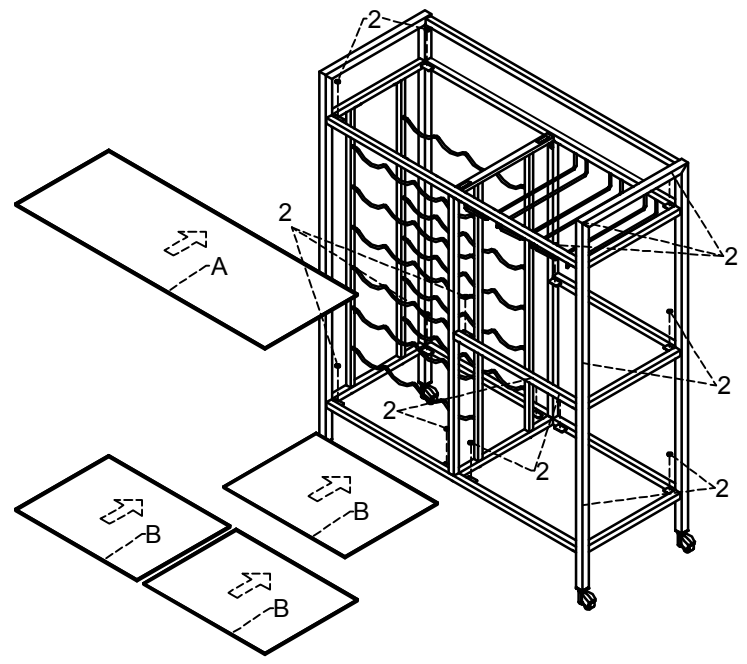
ITEM: 181370 ASSEMBLY INSTRUCTIONS



STEP 7



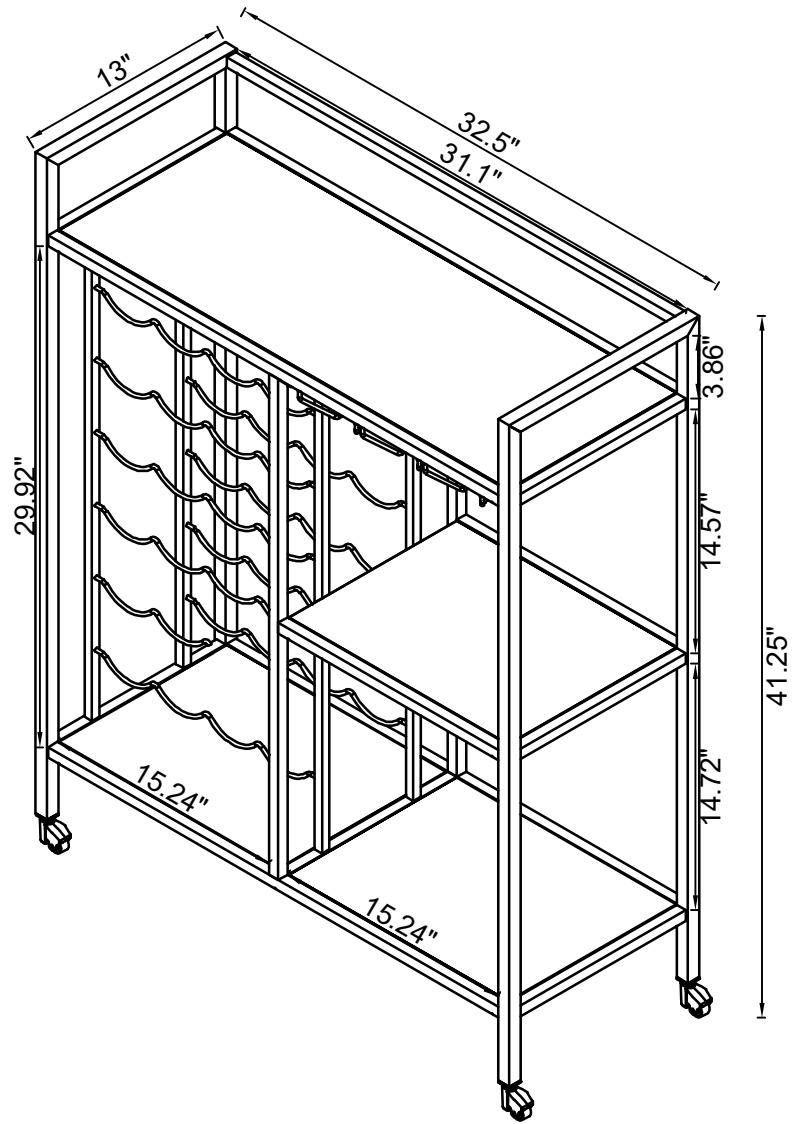
STEP 8



ITEM:181370 ASSEMBLY INSTRUCTIONS



Product Size : 826 X 330 X 1048 H (MM)
Product Size : 32 1/2" X 13" X 41 1/4"



Note : Dimension tolerance $\pm 5\%$