

ASSEMBLY INSTRUCTIONS
COASTER FINE FURNITURE



Fine Furniture for every stage of life

301392
Night Stand

ITEM:301392



ASSEMBLY INSTRUCTIONS

ASSEMBLY TIPS:

1. Remove hardware from box and sort by size.
2. Please check to see that all hardware and parts are present prior to start of assembly.
3. Please follow attached instructions in the same sequence as numbered to assure fast & easy assembly.



WARNING !

1. Don't attempt to repair or modify parts that are broken or defective. Please contact the store immediately.
2. This product is for home use only and not intended for commercial establishment.



ASSEMBLY TIME

20 MINUTES

PARTS IDENTIFICATION

A BACK FRAME		1PC	D LEFT CROSSBAR		1PC
B FRONT FRAME		1PC	E BOTTOM FRAME		1PC
C RIGHT CROSSBAR		1PC	F TOP GLASS		1PC

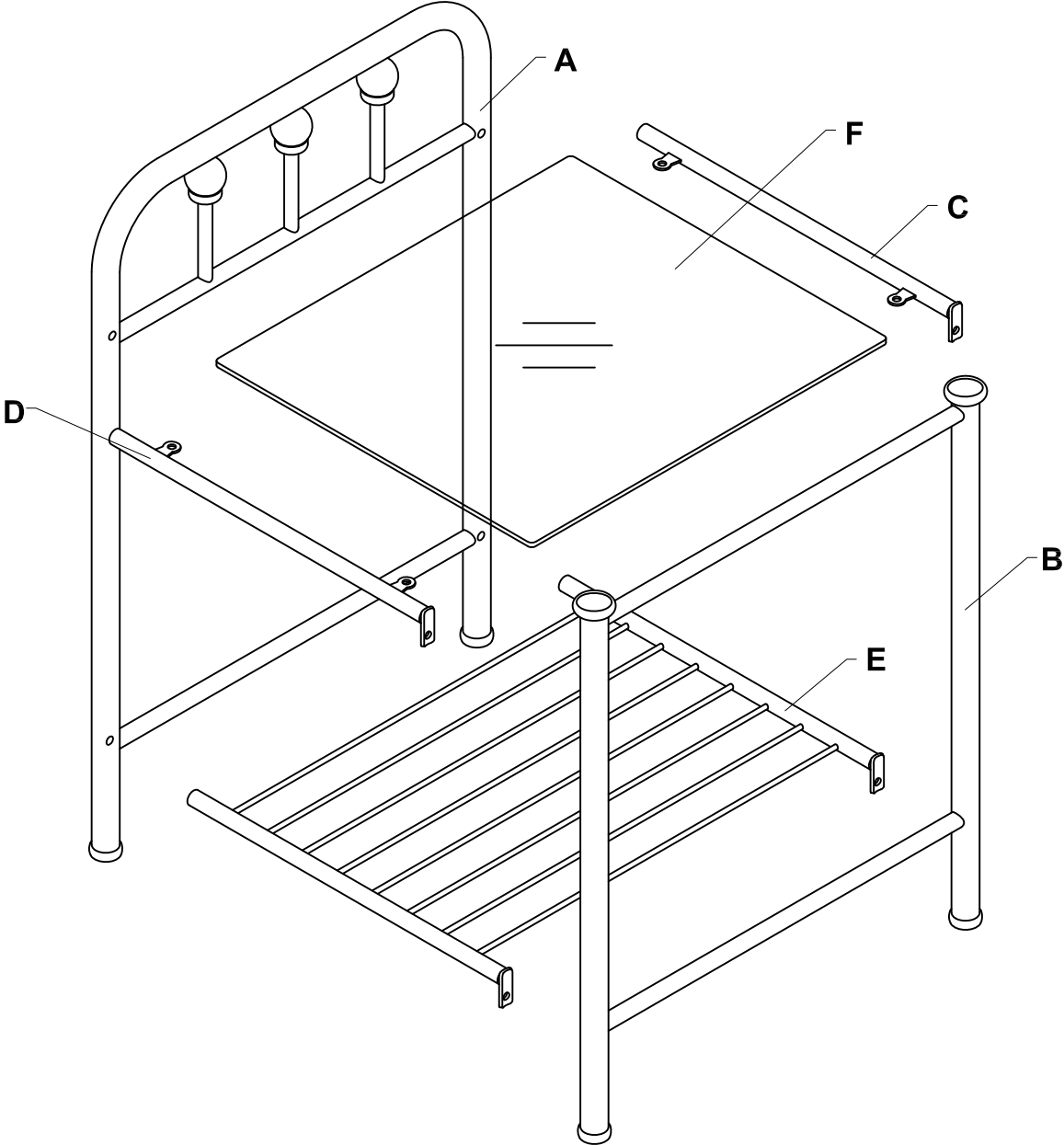
HARDWARE IDENTIFICATION

1	BOLT (1/4"x1/2" - BLK)		4PCS	3	SUCTION CUP		4PCS
2	BOLT (1/4"x1-3/4" - BLK)		4PCS	4	ALLEN WRENCH (4x4mm -BLK)		1PC

NOTE:

Phillips head screw driver is required in the assembly process; however, manufacturer does not provide this item.

ITEM:301392



ITEM: **301392**



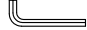


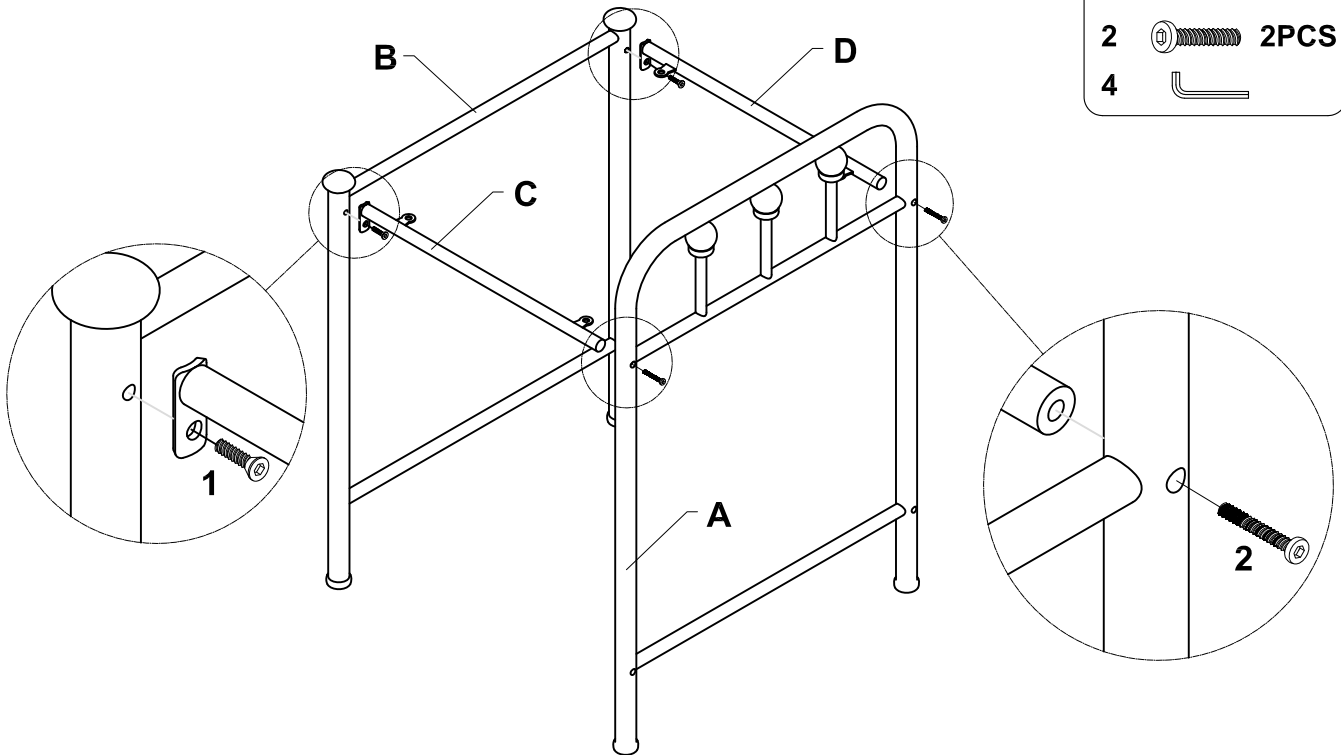
ASSEMBLY INSTRUCTIONS

STEP 1:




ASSEMBLY

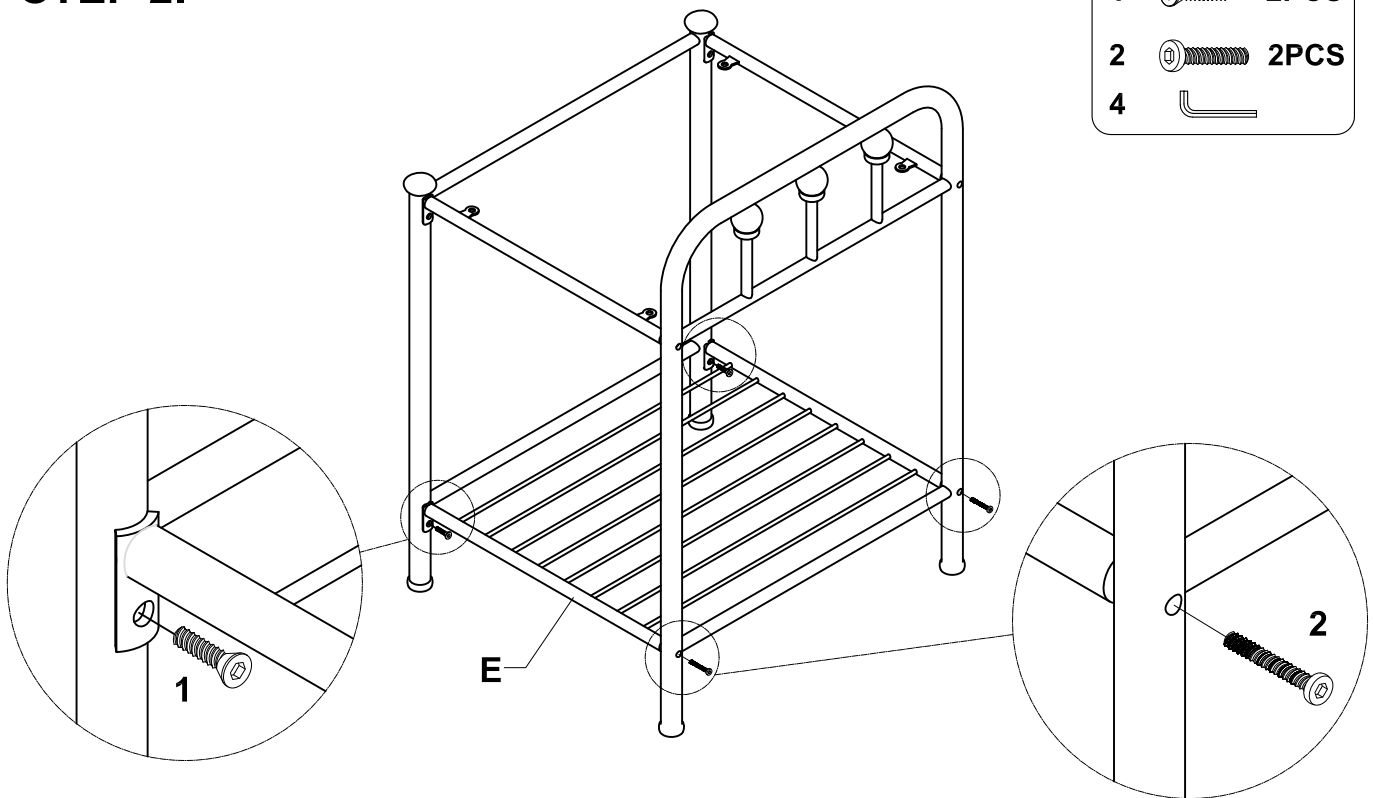
Do not fully tighten all bolts until assembly is complete.
This will help all parts to assemble properly.

- 1  2PCS
- 2  2PCS
- 4 



STEP 2:

- 1  2PCS
- 2  2PCS
- 4 



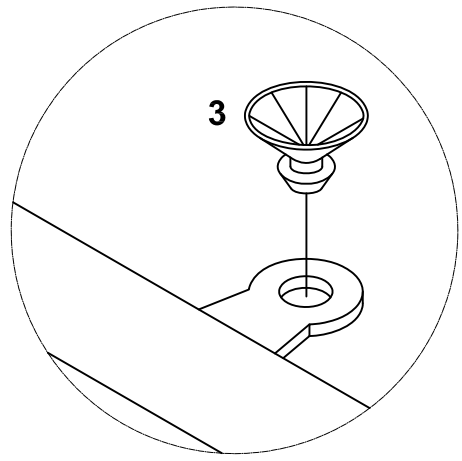
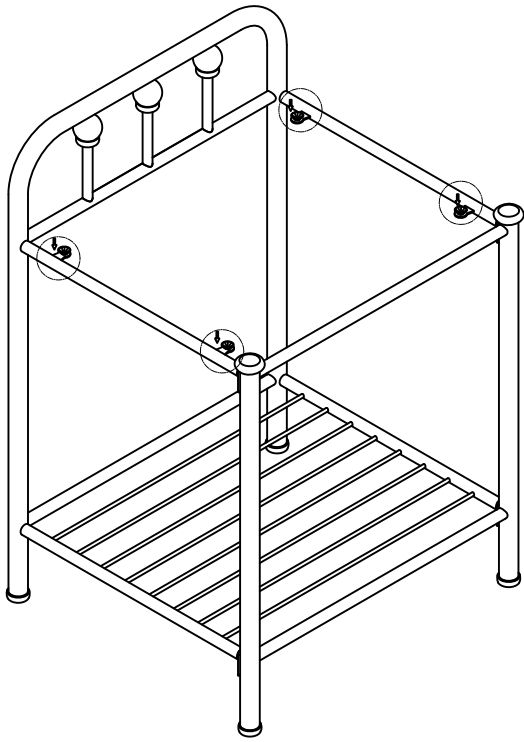
ITEM: **301392**

ASSEMBLY INSTRUCTIONS

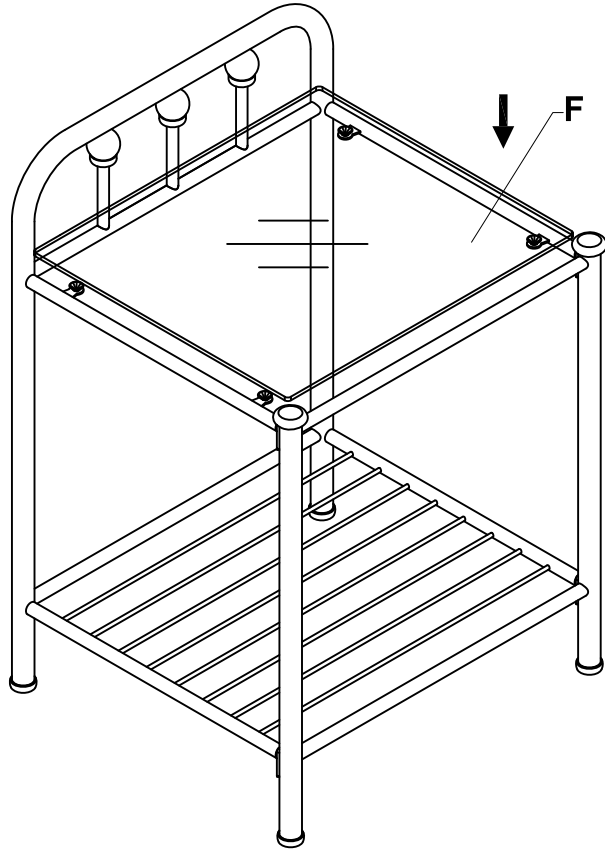
STEP 3:



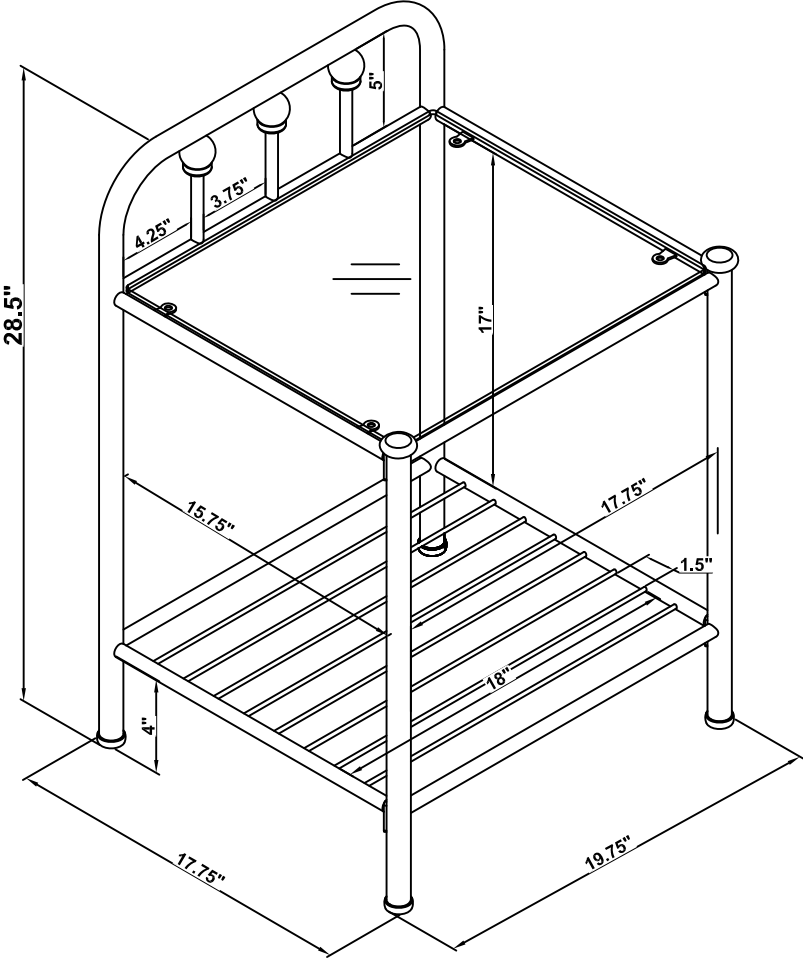
3  4PCS



STEP 4:



ITEM: 301392



Note : Dimension tolerance $\pm 5\%$