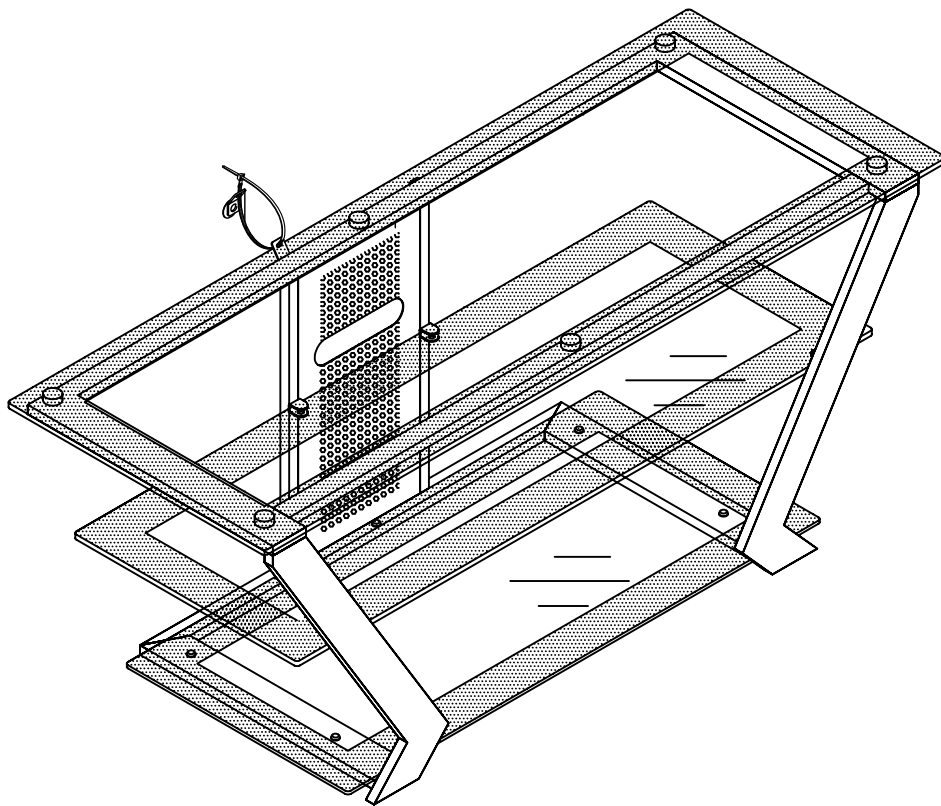


ASSEMBLY INSTRUCTIONS
COASTER FINE FURNITURE



Fine Furniture for every stage of life

701370
50" TV Console

ITEM:701370



ASSEMBLY INSTRUCTIONS

ASSEMBLY TIPS:

1. Remove hardware from box and sort by size.
2. Please check to see that all hardware and parts are present prior to start of assembly.
3. Please follow attached instructions in the same sequence as numbered to assure fast & easy assembly.



WARNING !

1. Don't attempt to repair or modify parts that are broken or defective. Please contact the store immediately.
2. This product is for home use only and not intended for commercial establishment.

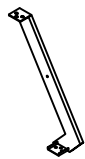


ASSEMBLY TIME

20 MINUTE

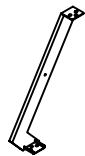
PARTS IDENTIFICATION

A RIGHT SIDE PANEL



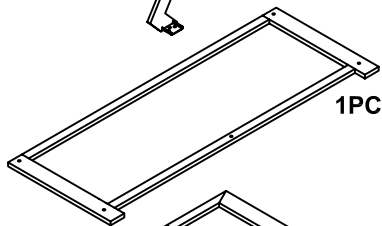
1PC

B LEFT SIDE PANEL



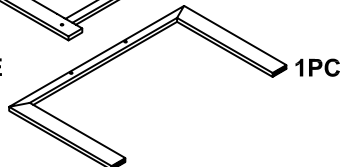
1PC

C TOP FRAME



1PC

D BOTTOM FRAME



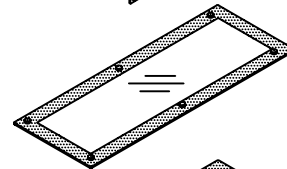
1PC

E BACK PANEL



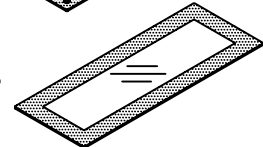
1PC

F TOP GLASS



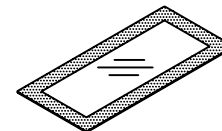
1PC

G MIDDLE GLASS



1PC

H BOTTOM GLASS




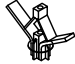
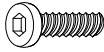





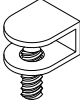
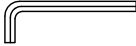
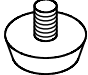


1PC

NOTE:

Phillips head screw driver is required in the assembly process; however, manufacturer does not provide this item.

HARDWARE IDENTIFICATION

1	BOLT (1/4"x1-1/2" - BLK)		2PCS	8	RUBBER BUMPER (ϕ 12mm)		5PCS
2	BOLT (1/4"x7/8" - BLK)		5PCS	9	ANCHORS (WHT)		1PC
3	BOLT 1/4"x1/2" - BLK)		14PCS	10	CONNECTION IRON (WHT)		2PCS
4	PHILLIPS BOLT (3/16"x1/2" - BLK)		4PCS	11	RESTRAINT STRAP (280MM)		1PC
5	WASHER (ϕ 16mm - BLK)		17PCS	12	SCREW (M4x37mm - WHT)		1PC
6	GLASS CLIP (22x18x13 - BLK)		4PCS	13	ALLEN KEY (4x22x60mm - BLK)		1PC
7	ADJUSTABLE LEVELER (5/16"x23mm - BLK)		4PCS				

NOTE:

Phillips head screw driver is required in the assembly process; however, manufacturer does not provide this item.

ITEM: **701370**



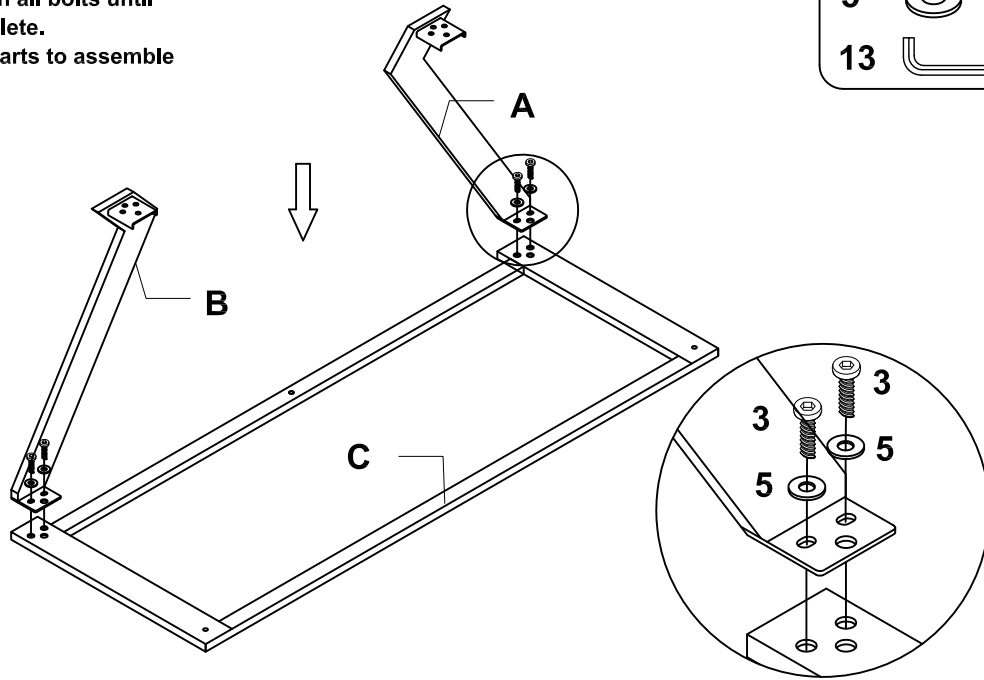
ASSEMBLY INSTRUCTIONS

STEP 1:

ASSEMBLY

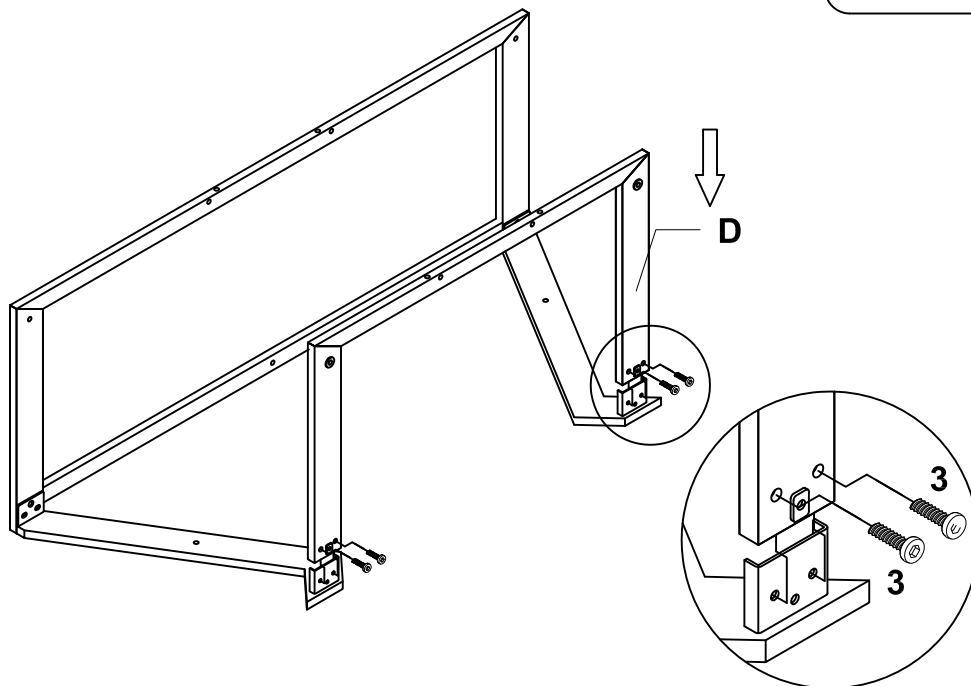
Do not fully tighten all bolts until assembly is complete.
This will help all parts to assemble properly.

3		4PCS
5		4PCS
13		



STEP 2:

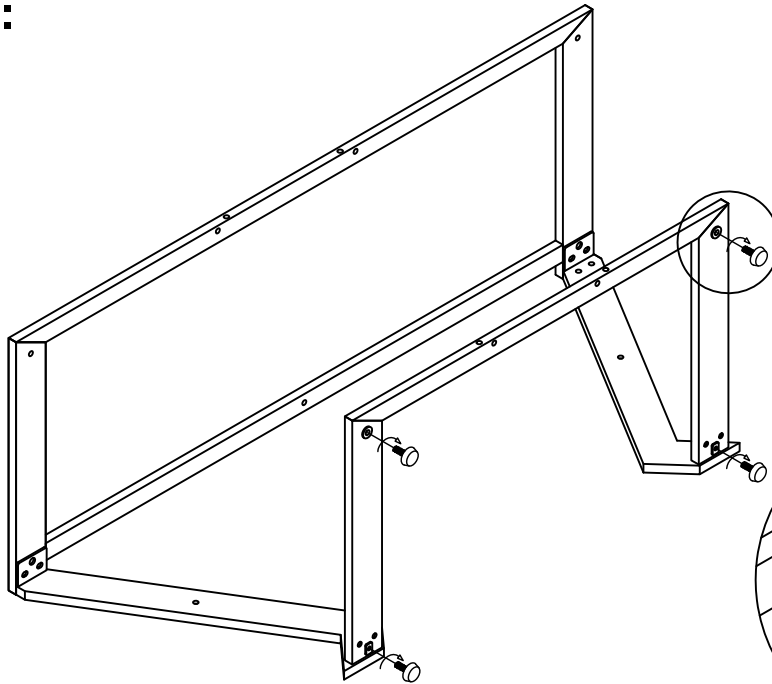
3		4PCS
13		



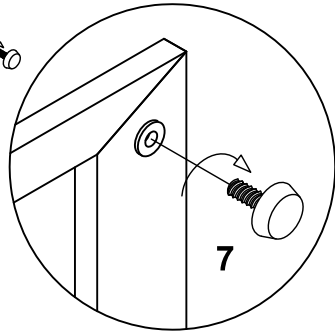
ITEM: **701370**

ASSEMBLY INSTRUCTIONS

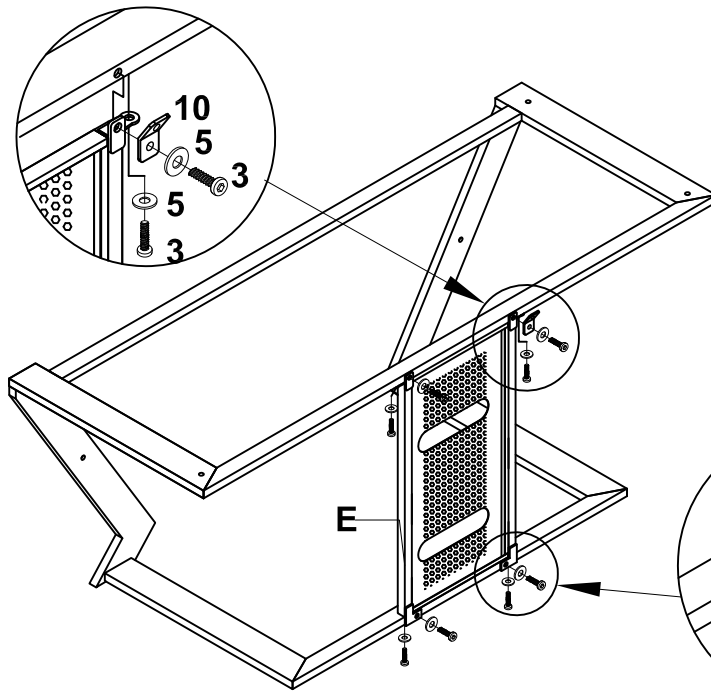
STEP 3:



7		4PCS
---	--	------



STEP 4:



1		2PCS
3		6PCS
5		8PCS
10		1PC
13		

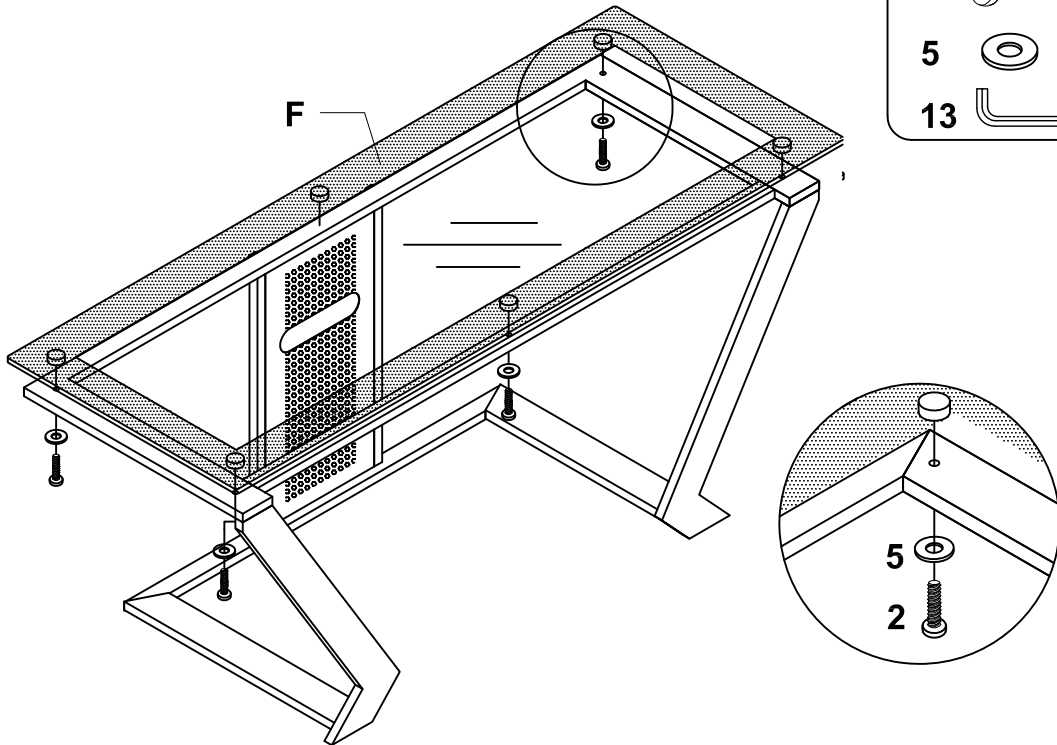
ITEM: 701370

ASSEMBLY INSTRUCTIONS

STEP 5:

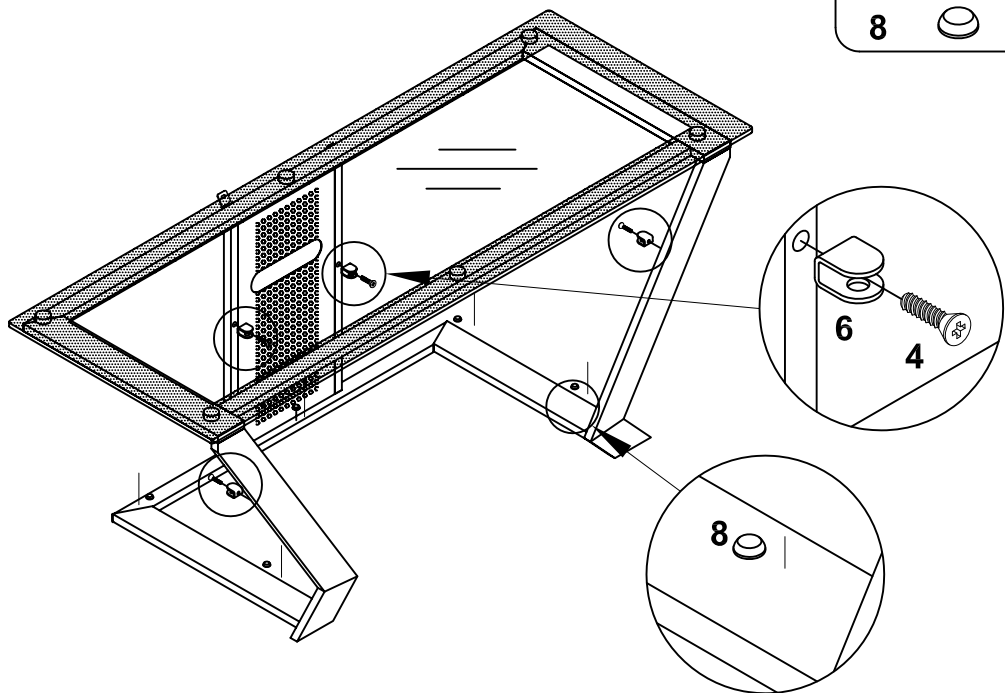


- 2 5PCS
- 5 5PCS
- 13



STEP 6:

- 4 4PCS
- 6 4PCS
- 8 5PCS



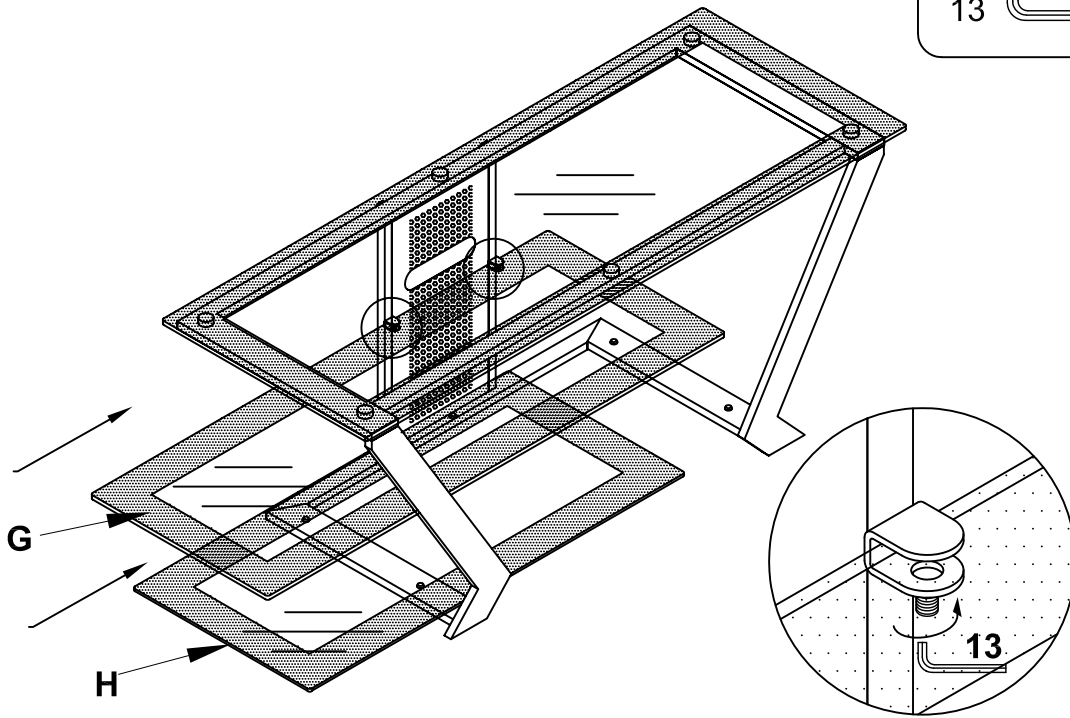
ITEM: **701370**

ASSEMBLY INSTRUCTIONS

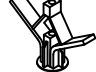


STEP 7:

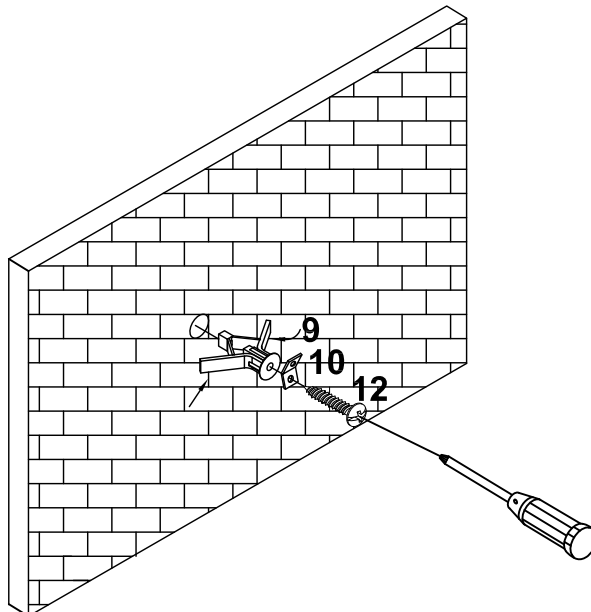


13 



STEP 8:

- | | | |
|----|---|-----|
| 9 |  | 1PC |
| 10 |  | 1PC |
| 12 |  | 1PC |



ITEM: **701370**

ASSEMBLY INSTRUCTIONS

STEP 9:

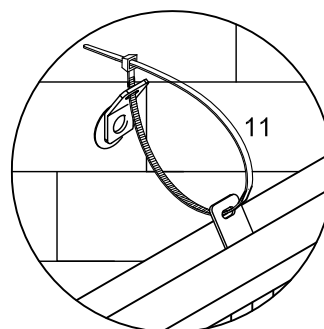
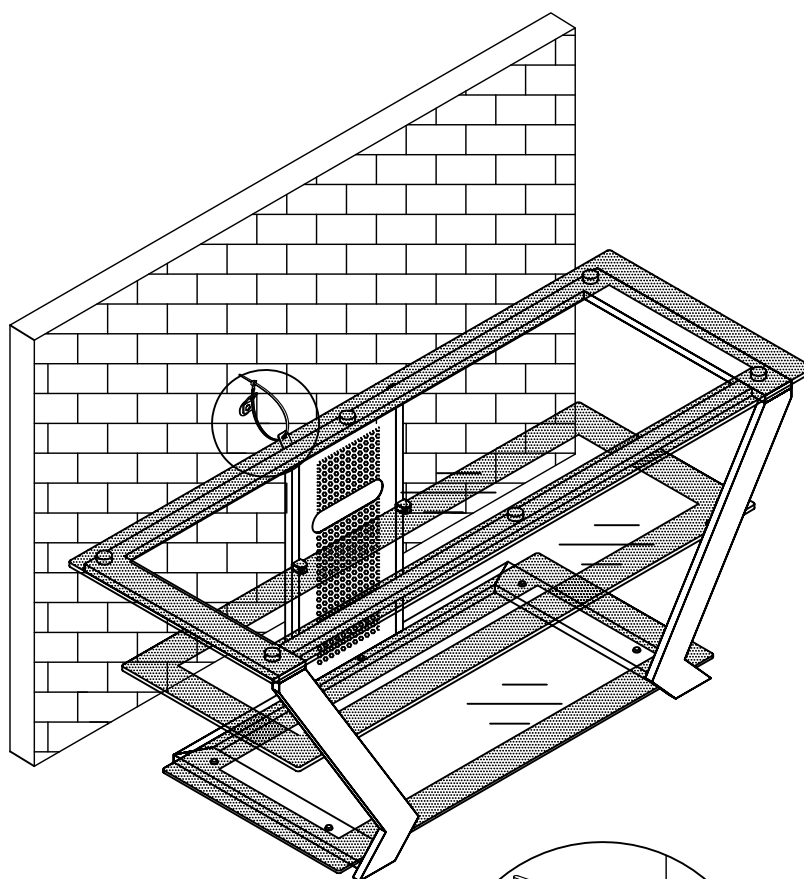
COASTER
FINE FURNITURE

11

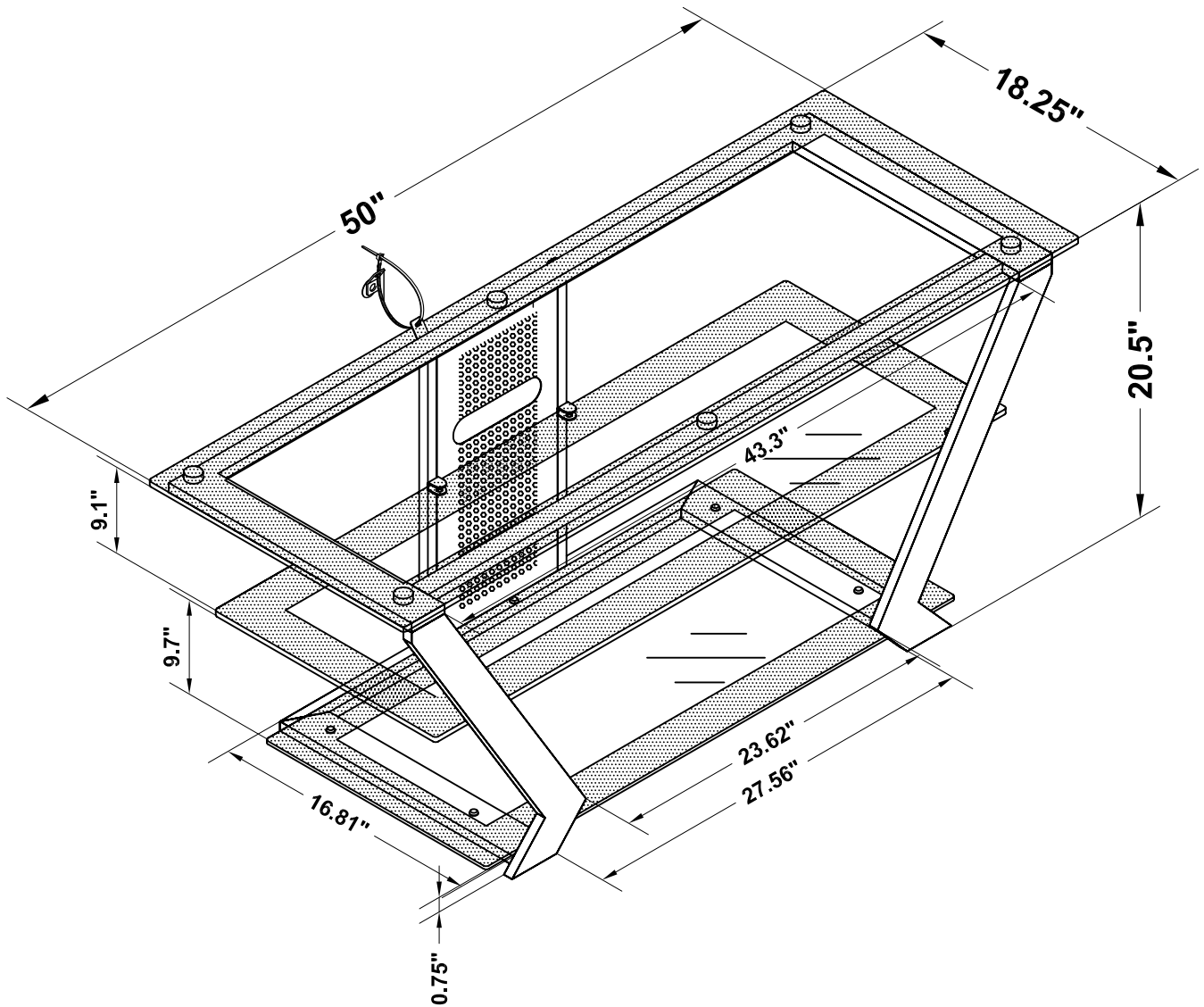


1PC

**TO PREVENT TIP OVER
PRODUCT MUST BE
ATTACHED TO WALL**



ITEM:701370



Note : Dimension tolerance $\pm 5\%$