

*ASSEMBLY INSTRUCTIONS  
COASTER FINE FURNITURE*



*Fine Furniture for every stage of life*

**704282**  
**TV CONSOLE**

# ITEM: 704282



## ASSEMBLY INSTRUCTIONS

### ASSEMBLY TIPS:

1. Remove hardware from box and sort by size.
2. Please check to see that all hardware and parts are present prior to start of assembly.
3. Please follow attached instructions in the same sequence as numbered to assure fast & easy assembly.



### WARNING!

1. Don't attempt to repair or modify parts that are broken or defective. Please contact the store immediately.
2. This product is for home use only and not intended for commercial establishments.



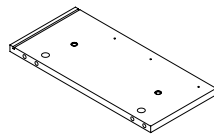
ASSEMBLY TIME

60 MINUTES

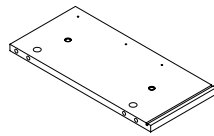
MAX TV SIZE : 65"

## PARTS IDENTIFICATION

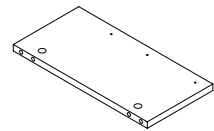
A LEFT SIDE PANEL 1 PC



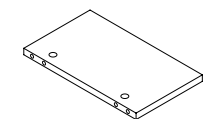
B RIGHT SIDE PANEL 1 PC



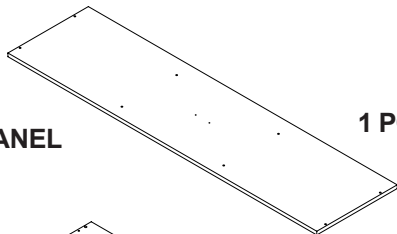
C LOWER DIVIDER PANEL 2 PCS



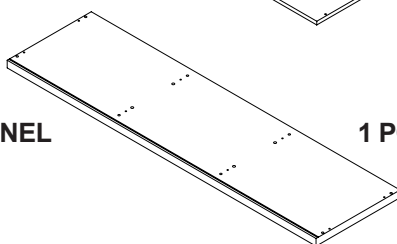
D UPPER DIVIDER PANEL 2 PCS



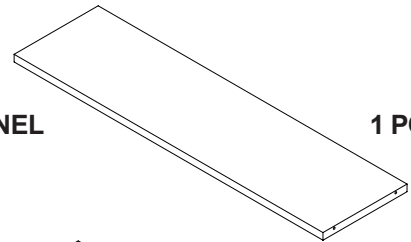
E BOTTOM PANEL 1 PC



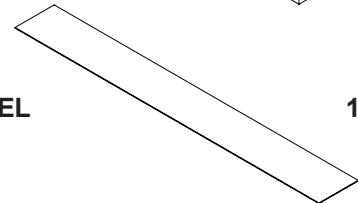
F CROSS PANEL 1 PC



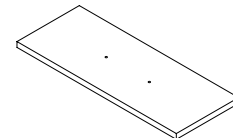
G TOP PANEL 1 PC



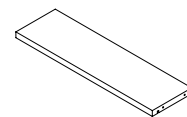
H BACK PANEL 1 PC



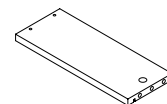
I DRAWER FRONT PANEL 3 PCS



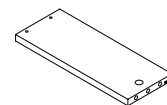
J DRAWER BACK PANEL 3 PCS



K DRAWER LEFT SIDE PANEL 3 PCS



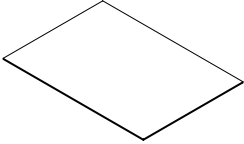
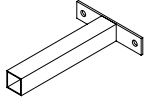
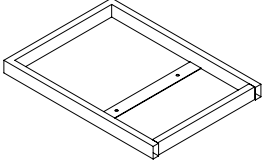
L DRAWER RIGHT SIDE PANEL 3 PCS



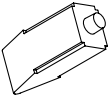
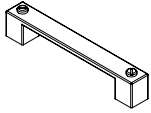


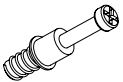
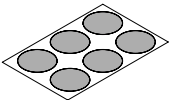

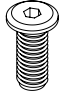



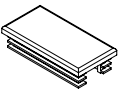
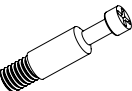
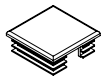
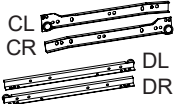


### NOTE:

Phillips head screw driver is required in the assembly process; however, manufacturer does not provide this item.

# ITEM: 704282

|          |                                |   |              |          |                    |   |             |
|----------|--------------------------------|---|--------------|----------|--------------------|---|-------------|
| <b>M</b> | <b>DRAWER<br/>BOTTOM PANEL</b> |  | <b>3 PCS</b> | <b>O</b> | <b>SQUARE FOOT</b> |  | <b>1 PC</b> |
| <b>N</b> | <b>METAL FRAME</b>             |  | <b>2 PCS</b> |          |                    |   |             |

## HARDWARE IDENTIFICATION

| <b>Z</b> | <b>NO</b> | <b>DESCRIPTION</b>        | <b>FIGURE</b>   | <b>Q'TY</b> | <b>NO</b> | <b>DESCRIPTION</b>         | <b>FIGURE</b>   | <b>Q'TY</b> |
|----------|-----------|---------------------------|---|-------------|-----------|----------------------------|---|-------------|
|          | 1         | GLUE 40g                  |    | 1 PC        | 10        | HANDLE                     |    | 3 PCS       |
|          | 2         | WOODEN DOWEL<br>Ø8x30mm   |   | 36 PCS      | 11        | HANDLE BOLT<br>Ø4x28mm BLK |   | 6 PCS       |
|          | 3         | CAM BOLT<br>Ø7x35.5mm SR  |  | 18 PCS      | 12        | STICKER<br>Ø20mm           |  | 4 PCS       |
|          | 4         | CAM LOCK<br>Ø15x12mm SR   |  | 22 PCS      | 13        | BOLT<br>M6x18mm BLK        |  | 4 PCS       |
|          | 5         | SCREW<br>Ø4.5x42mm SR     |  | 12 PCS      | 14        | SCREW<br>Ø4x18mm BLK       |  | 2 PCS       |
|          | 6         | SCREW<br>Ø4.3x35mm SR     |  | 12 PCS      | 15        | FLOOR PROTECTOR<br>40x20mm |  | 4 PCS       |
|          | 7         | CAM BOLT<br>M6x31.5mm BLK |  | 4 PCS       | 16        | FLOOR PROTECTOR<br>18x18mm |  | 1 PC        |
|          | 8         | RAIL<br>L = 300mm BLK     |  | 3 SET       | 17        | ALLEN WRENCH<br>3mm SR     |  | 1 PC        |
|          | 9         | SCREW<br>Ø3x10mm BLK      |  | 36 PCS      |           |                            |   |             |

Z8,Z10 not included in blister packaging.

**NOTE:**

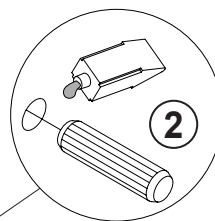
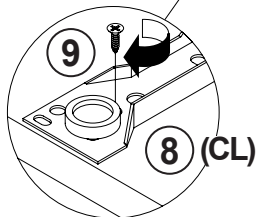
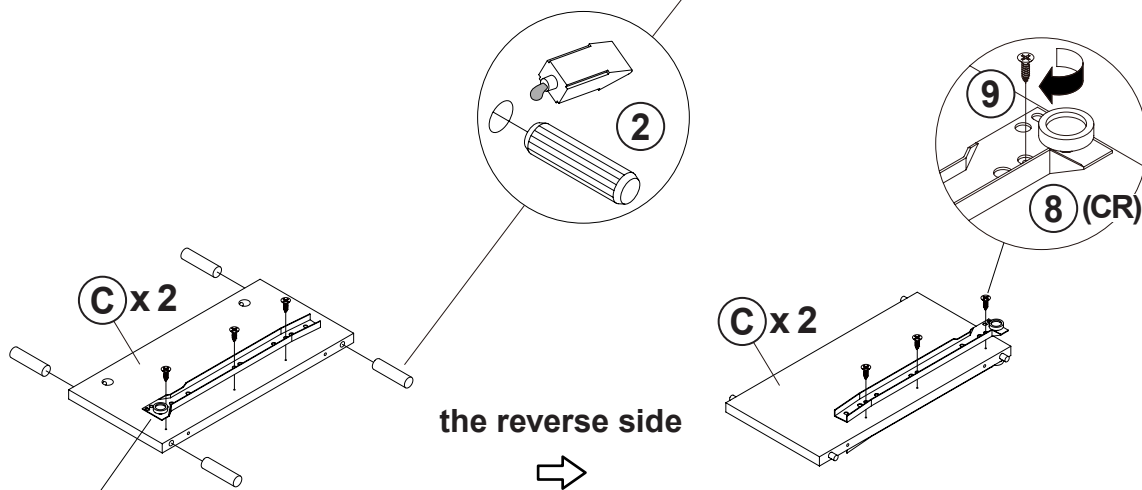
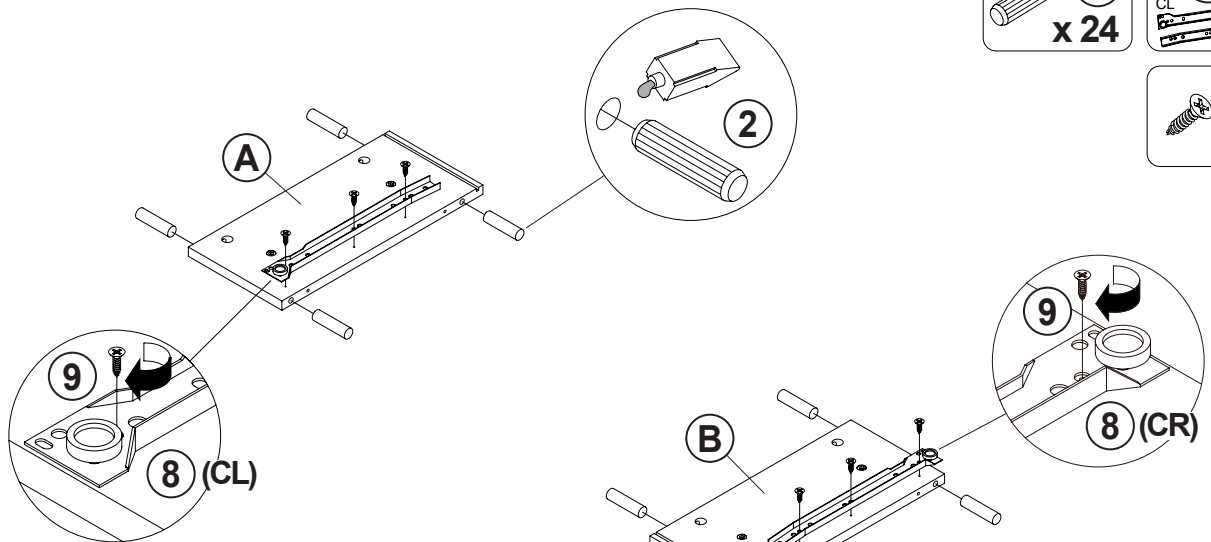
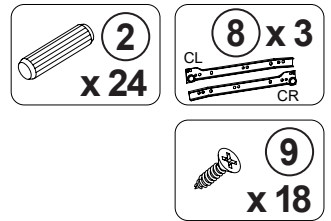
Phillips head screw driver is required in the assembly process; however, manufacturer does not provide this item.

ITEM: 704282

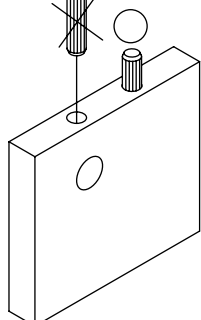
**COASTER**<sup>®</sup>

FINE FURNITURE

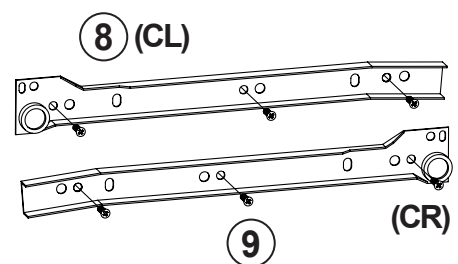
**STEP 1**



INCORRECT  
CORRECT



Apply glue on all wooden dowels to ensure integrity of the structure.

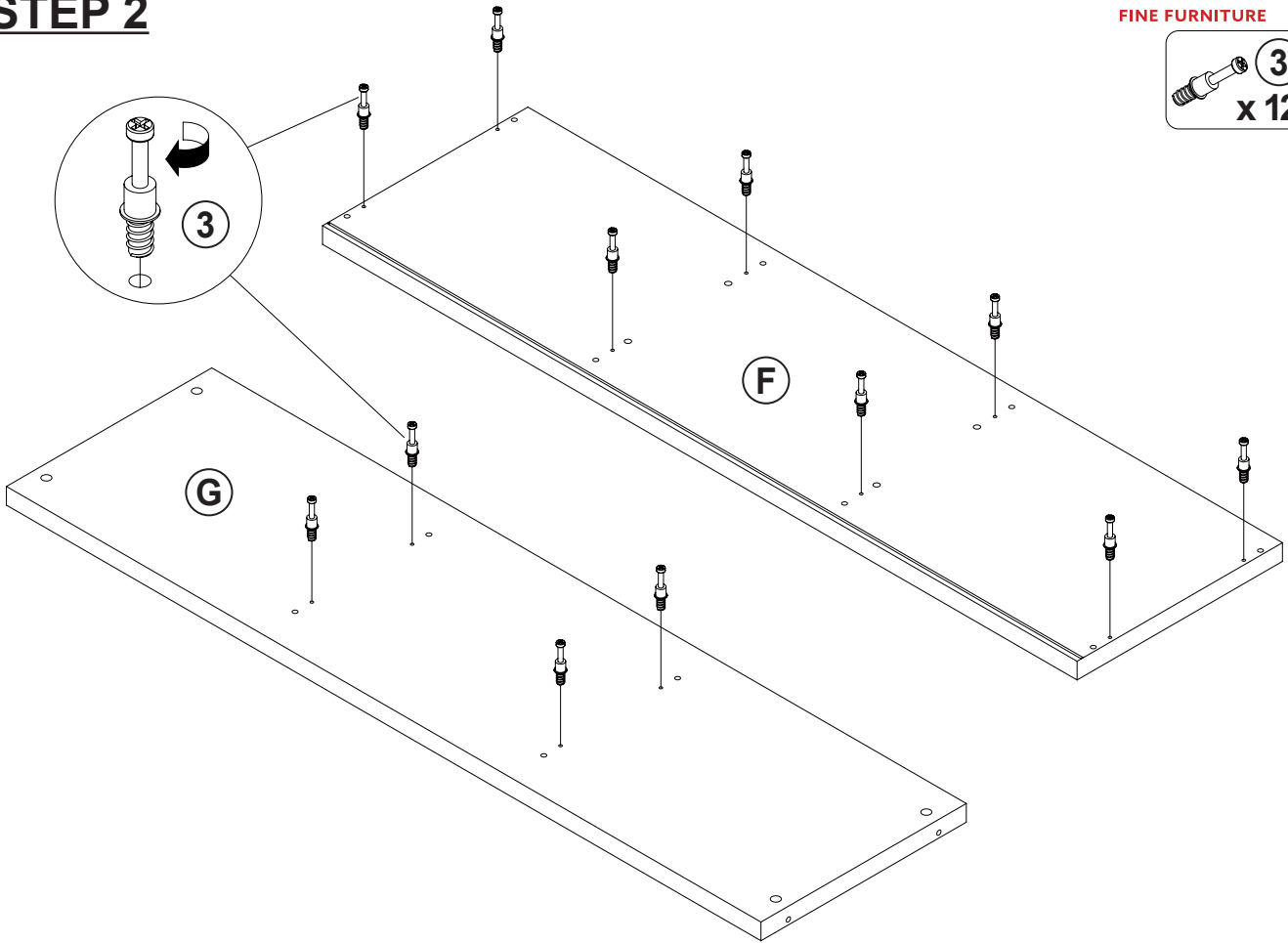


ITEM: 704282

**COASTER**  
FINE FURNITURE

**STEP 2**

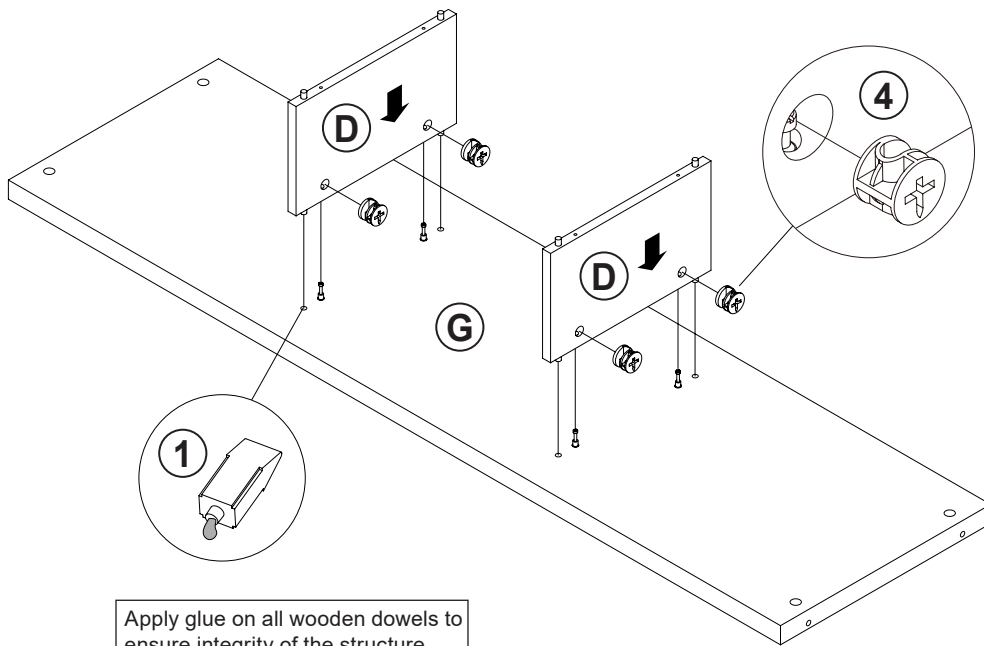
**3**  
x 12



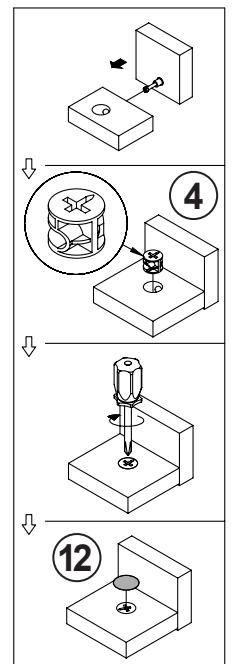
**STEP 3**

**4**  
x 4

**12**  
x 4

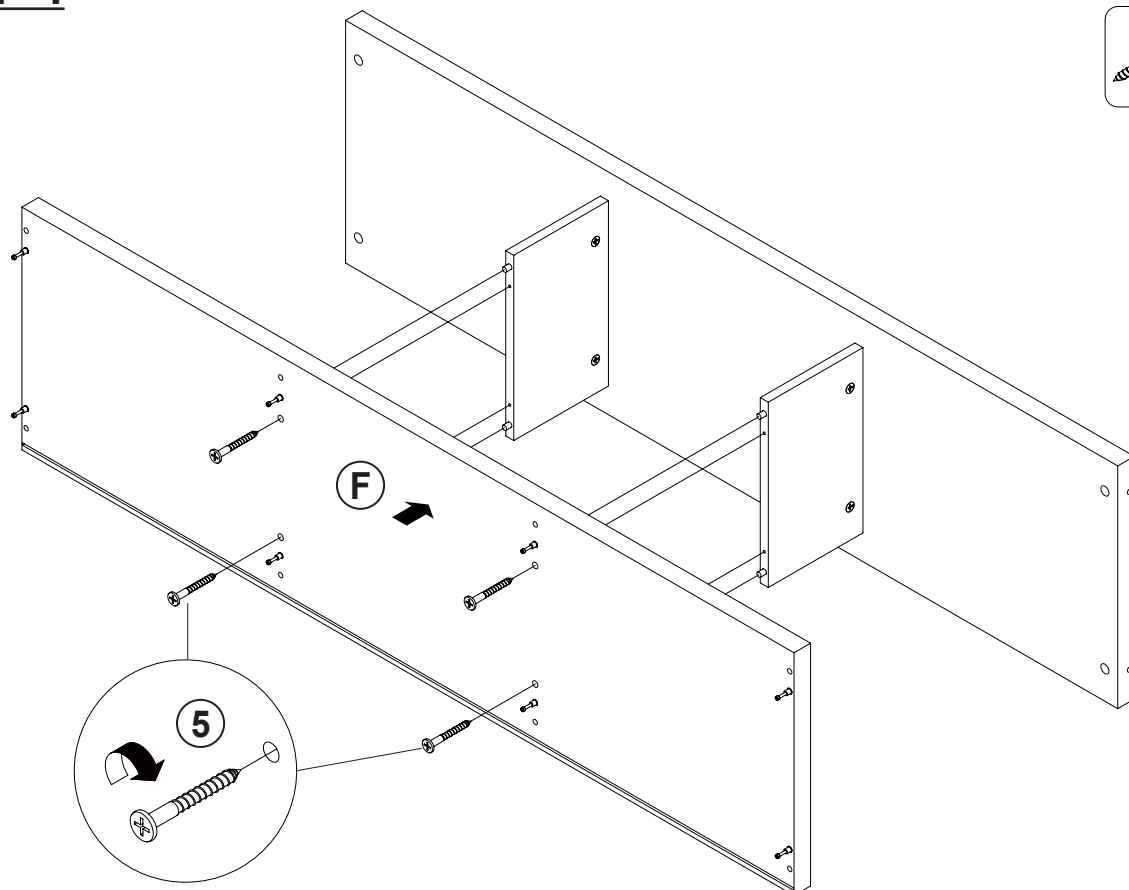
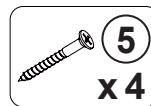


Apply glue on all wooden dowels to ensure integrity of the structure.

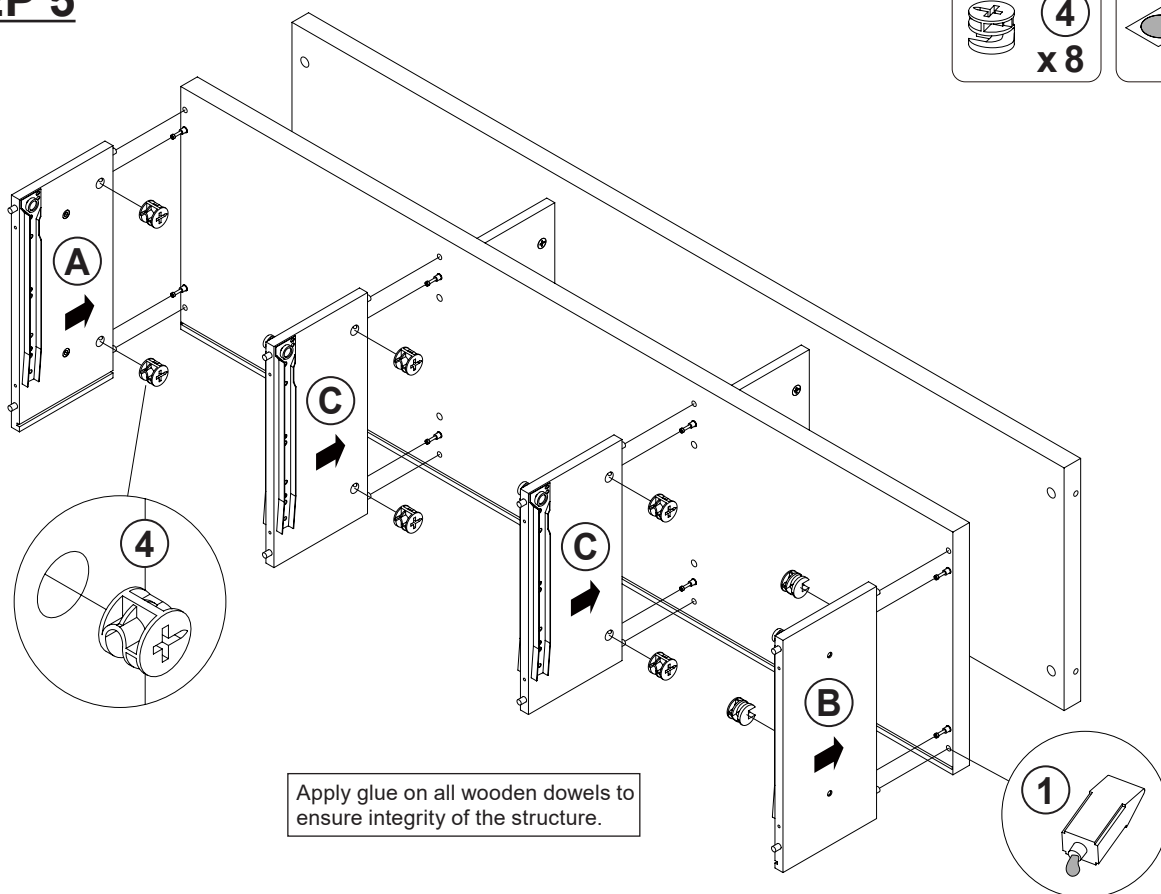
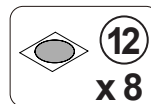


ITEM: 704282

**STEP 4**



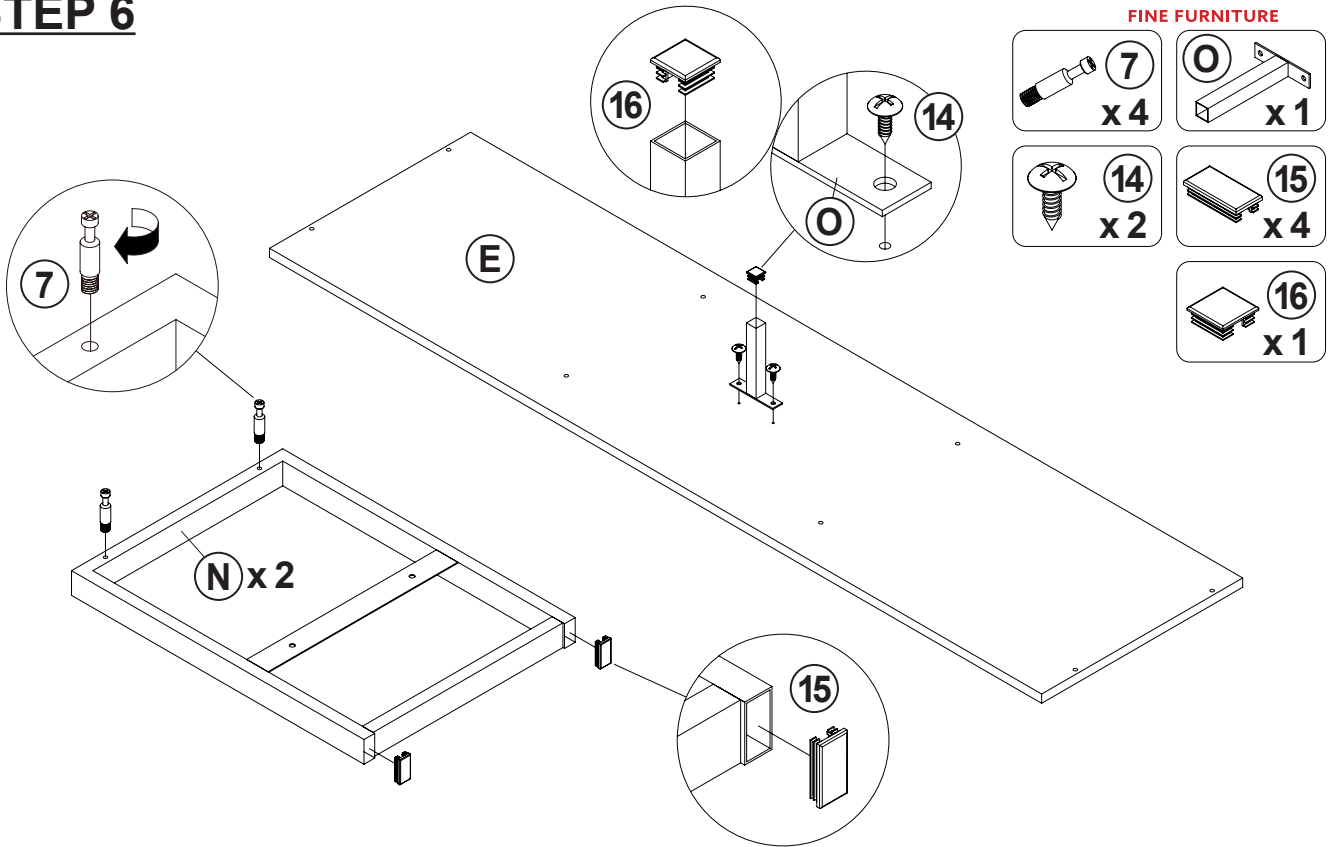
**STEP 5**



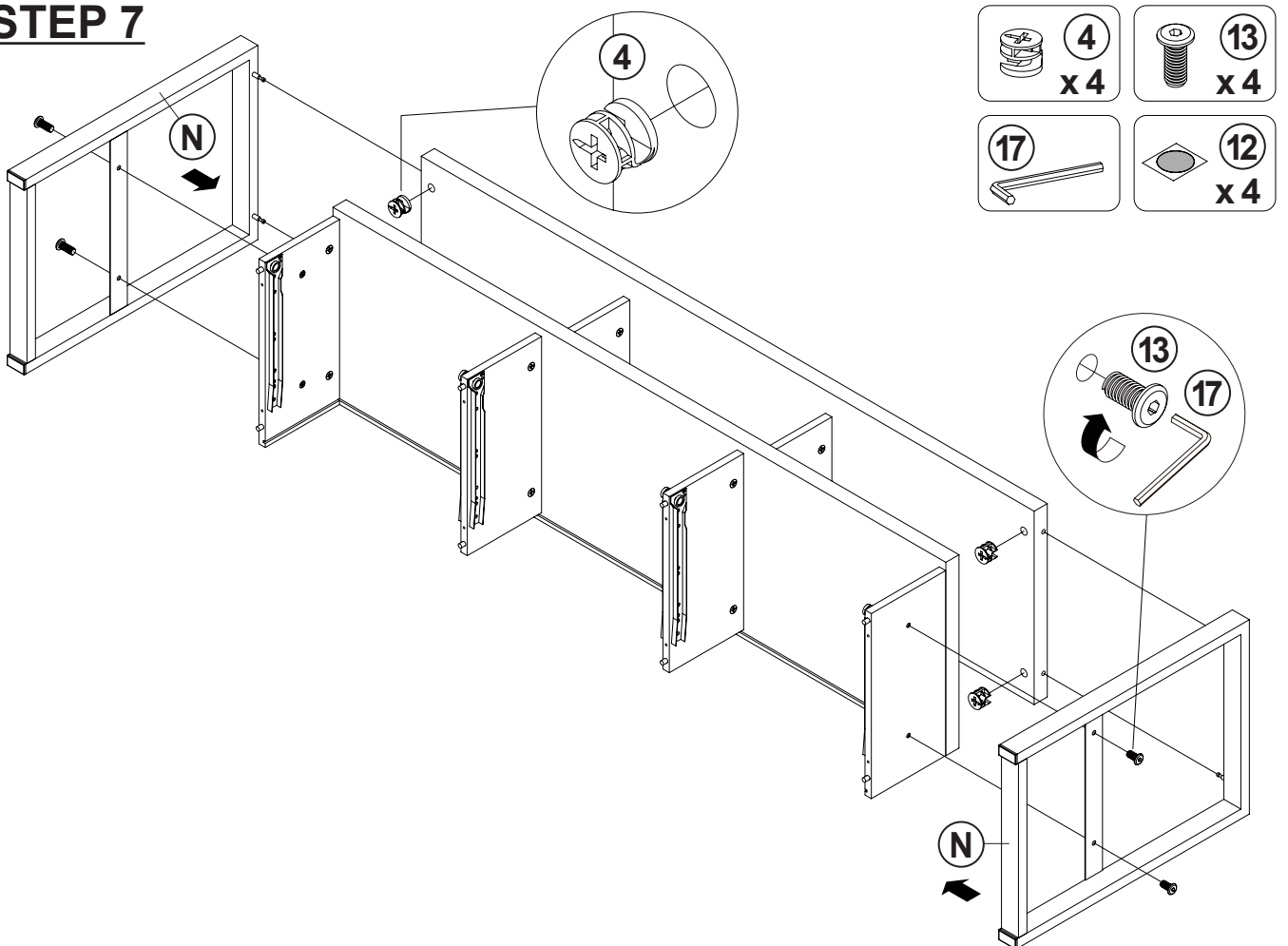
ITEM: 704282

**COASTER**  
FINE FURNITURE

**STEP 6**



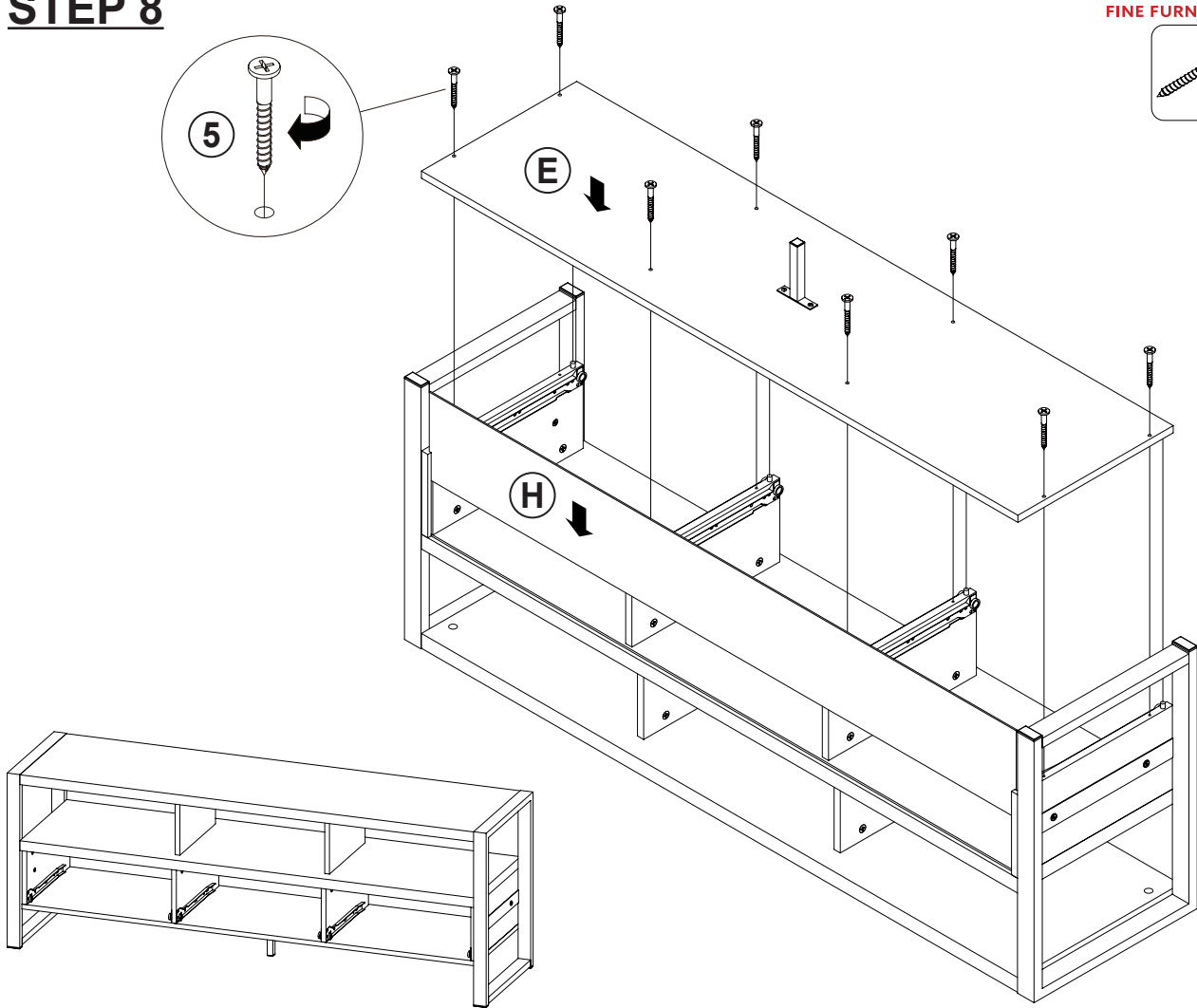
**STEP 7**



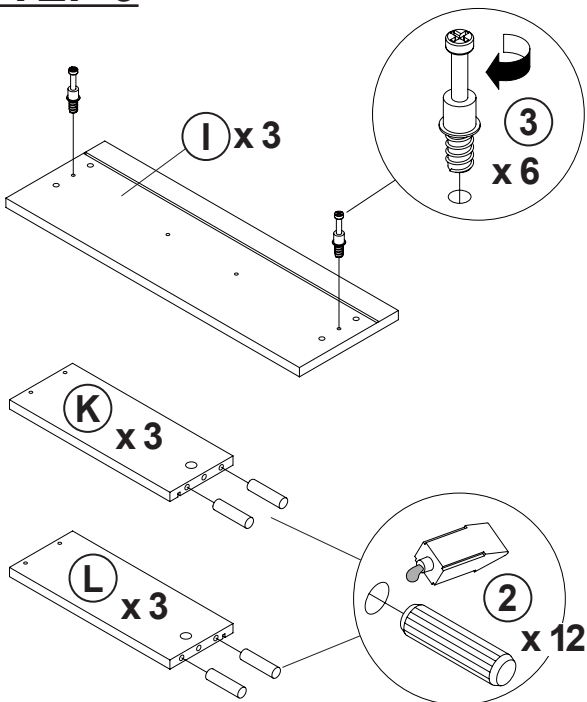
ITEM: 704282

**COASTER**  
FINE FURNITURE

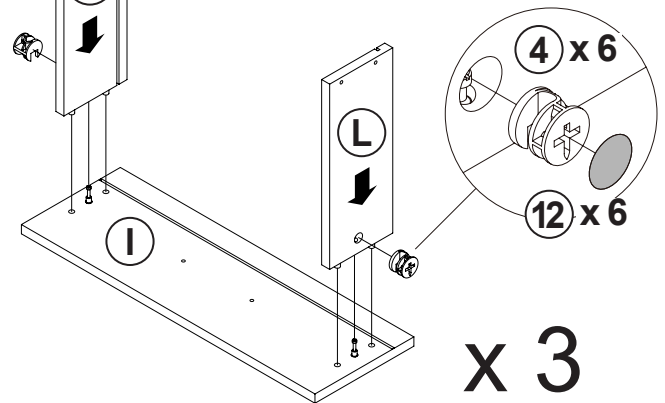
**STEP 8**



**STEP 9**



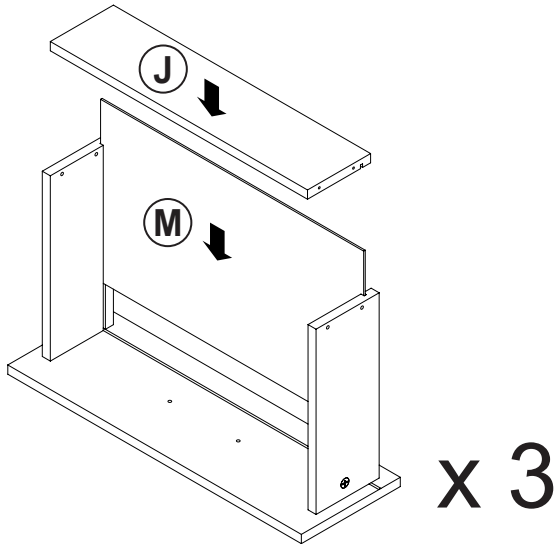
**STEP 10**



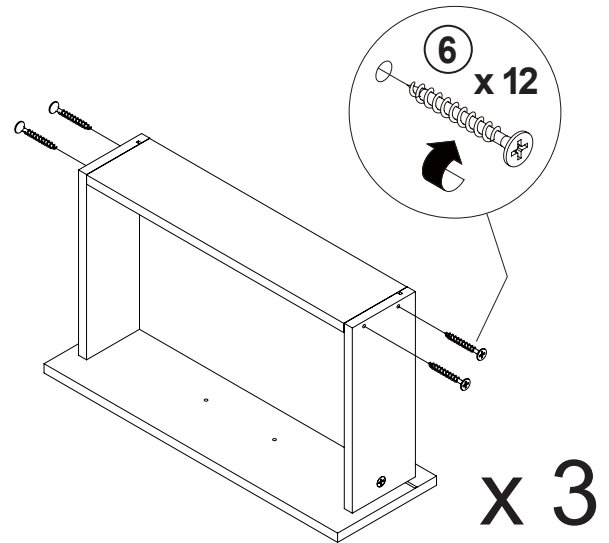


ITEM: 704282

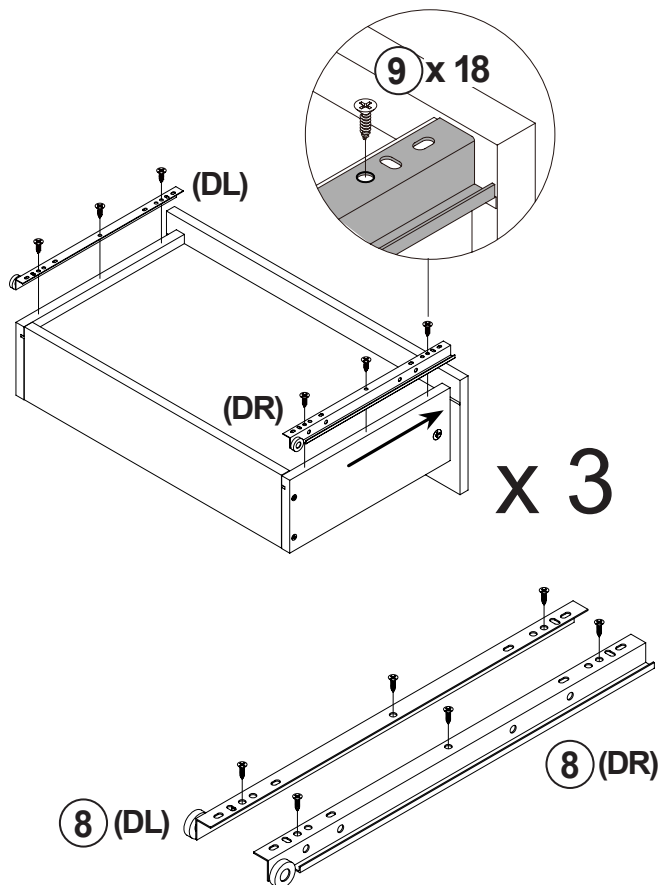
**STEP 11**



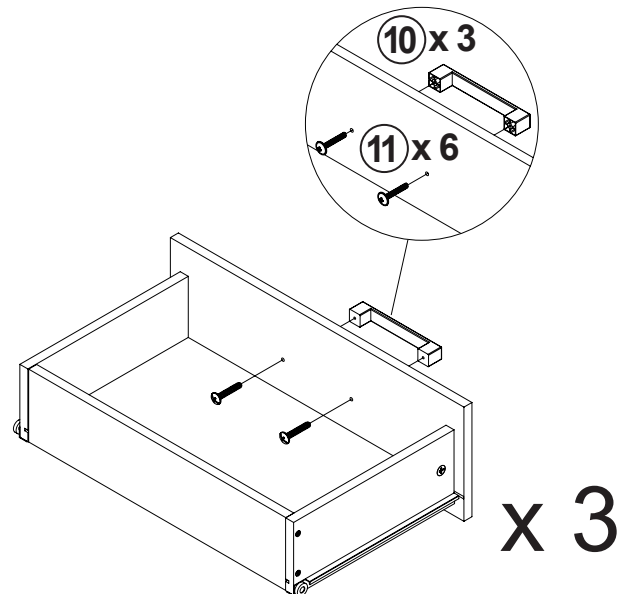
**STEP 12**



**STEP 13**

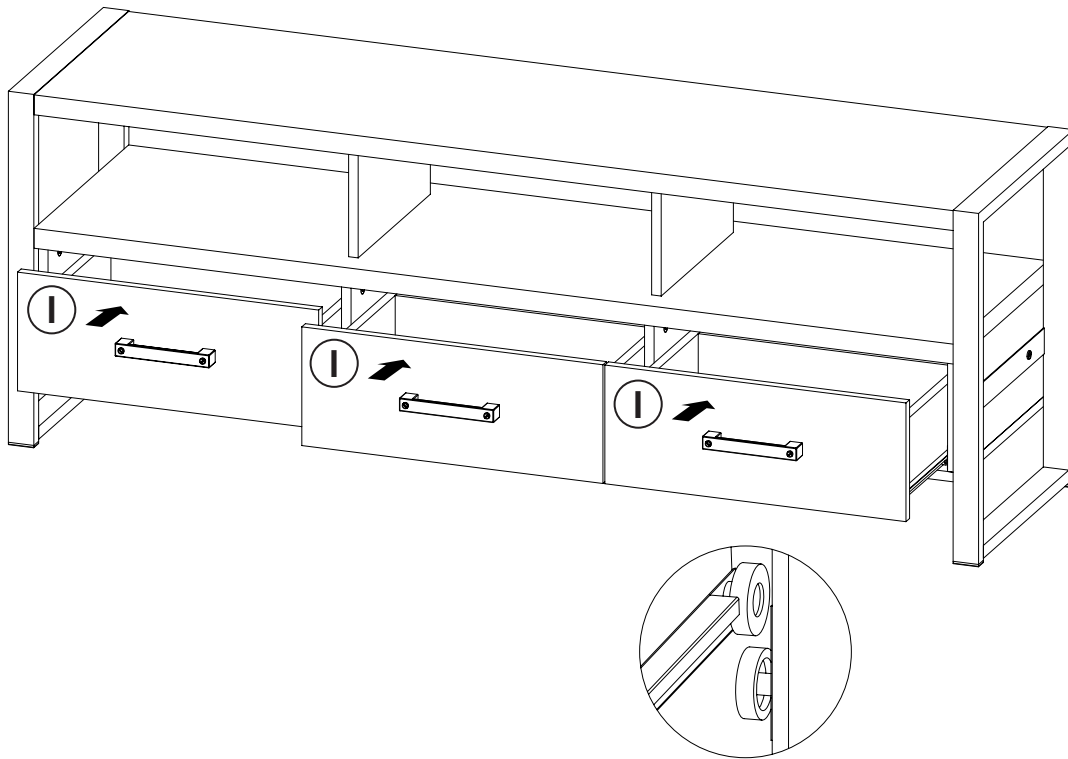


**STEP 14**



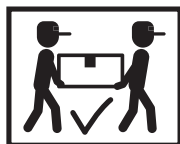
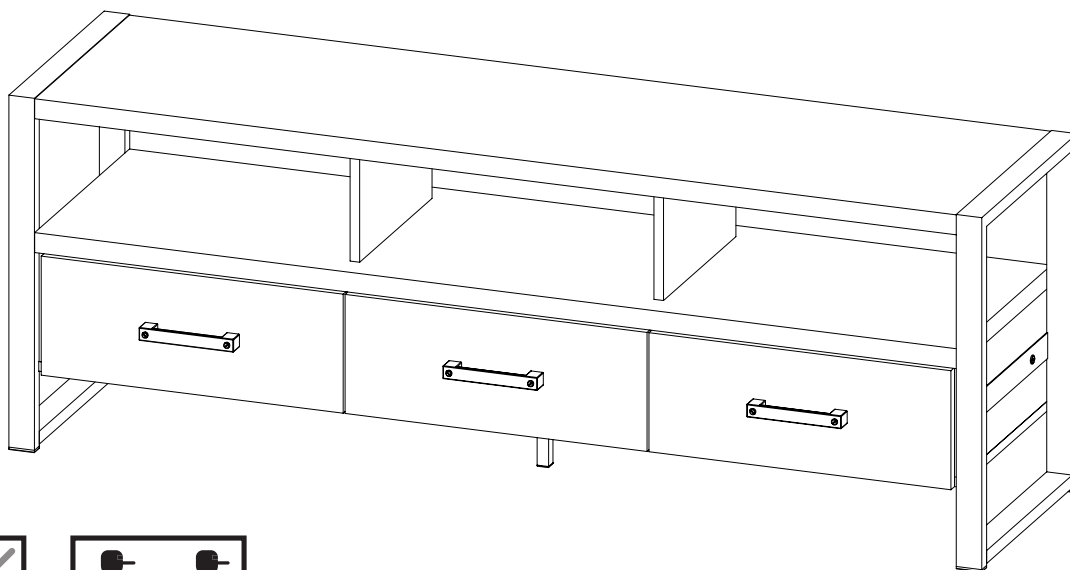
ITEM: 704282

**STEP 15**

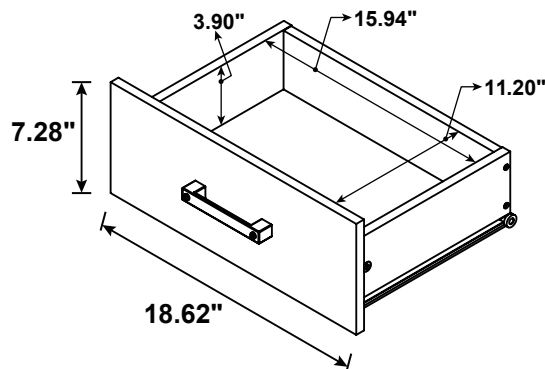
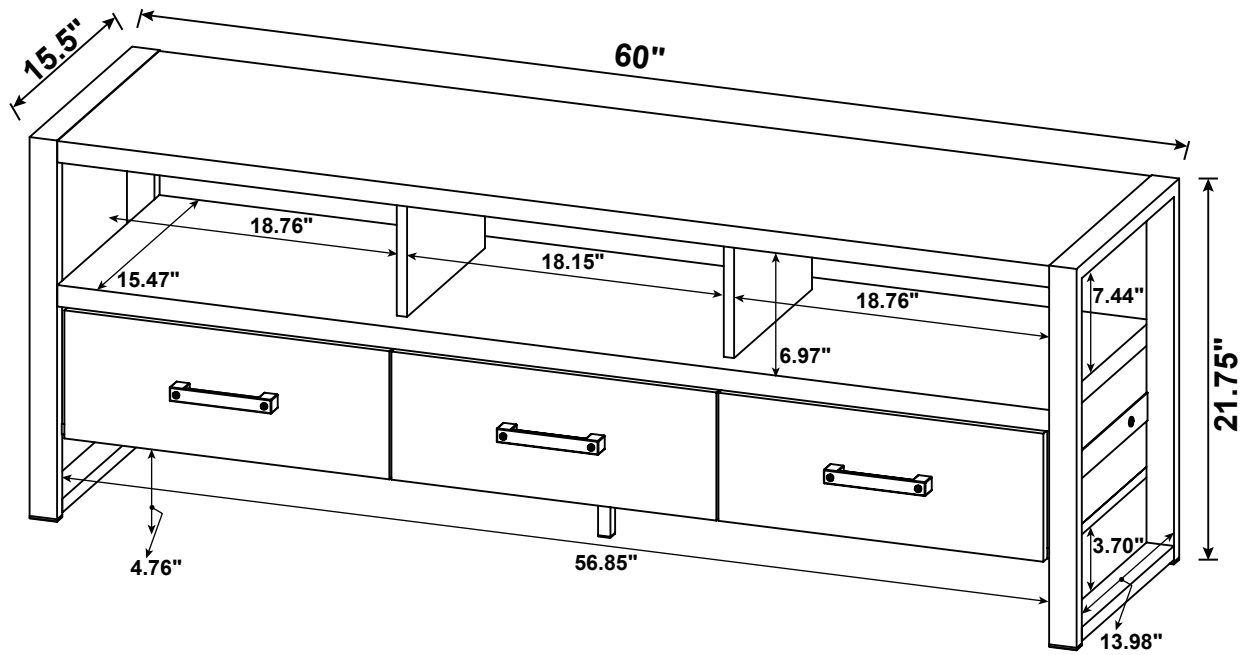


**STEP 16**

**COMPLETE**



ITEM: 704282



Note : Dimension tolerance  $\pm 5\%$