

ASSEMBLY INSTRUCTIONS
COASTER FINE FURNITURE



Fine Furniture for every stage of life

182359
BAR STOOL

ITEM:182359



ASSEMBLY INSTRUCTIONS

ASSEMBLY TIPS:

1. Remove hardware from box and sort by size.
2. Please check to see that all hardware and parts are present prior to start of assembly.
3. Please follow attached instructions in the same sequence as numbered to assure fast & easy assembly.



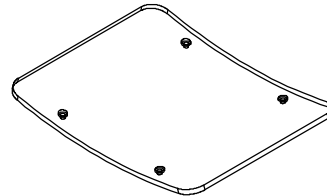
WARNING!

1. Don't attempt to repair or modify parts that are broken or defective. Please contact the store immediately.
2. This product is for home use only and not intended for commercial establishments.

ASSEMBLY TIME 35 MINUTES

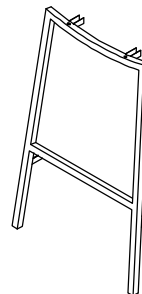
PARTS IDENTIFICATION

A ACRYLIC SEAT



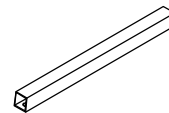
1PC

B FRONT AND BACK FRAME



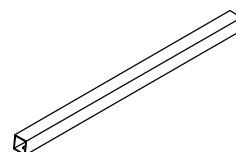
2PCS

C TOP CROSSBAR



2PCS

D BOTTOM CROSSBAR



2PCS


ITEM:182359




ASSEMBLY INSTRUCTIONS

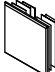
Z

HARDWARE IDENTIFICATION

1 SHORT BOLT
(1/4" x 12mm SR)  16PCS

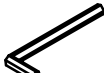
2 LONG BOLT
(1/4" x 35mm SR)  4PCS

3 NUT  4PCS

4 CAP
(20 x 20mm BLK)  4PCS

5 PLASTIC BUSHING  4PCS

6 SPRING WASHER  4PCS

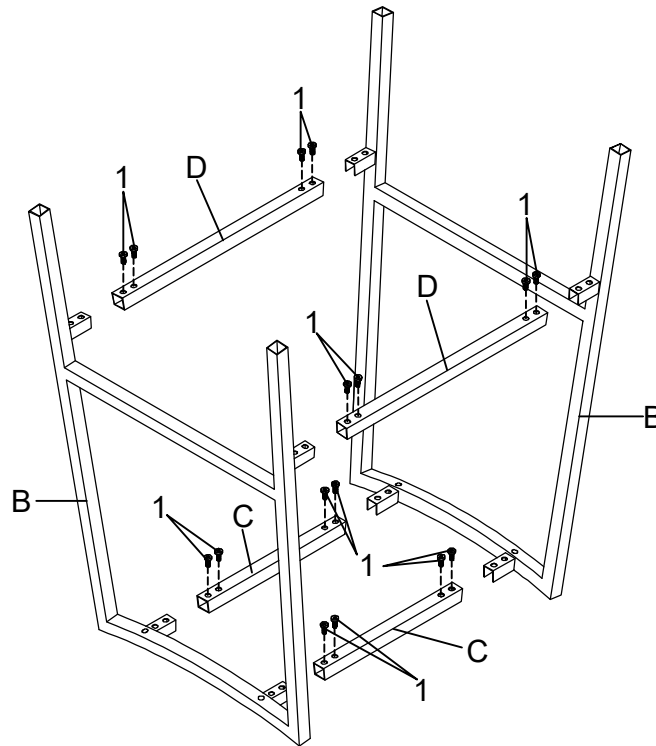
7 ALLEN WRENCH
(4mm)  1PC

ITEM:182359

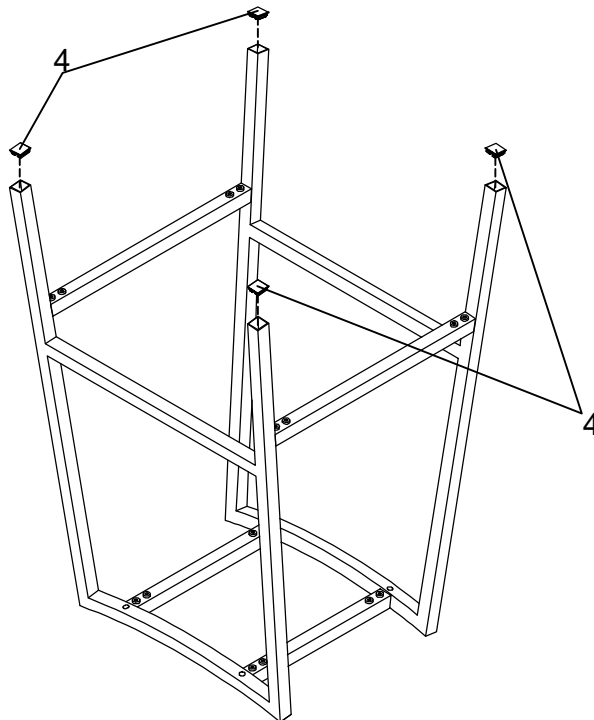
ASSEMBLY INSTRUCTIONS



STEP 1 Do not tighten until each step is completed or instructed.



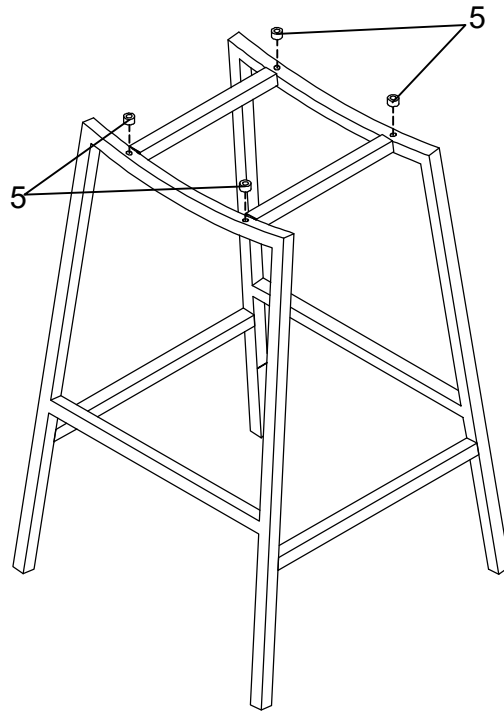
STEP 2



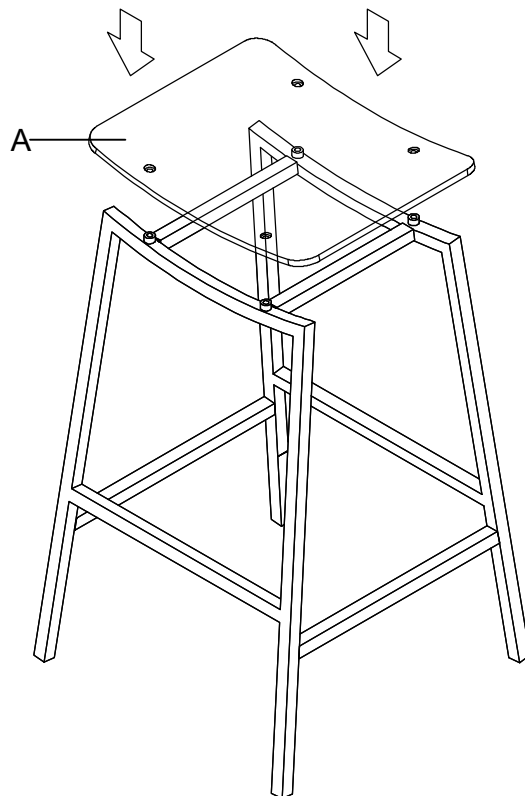
ITEM:182359

ASSEMBLY INSTRUCTIONS

STEP 3



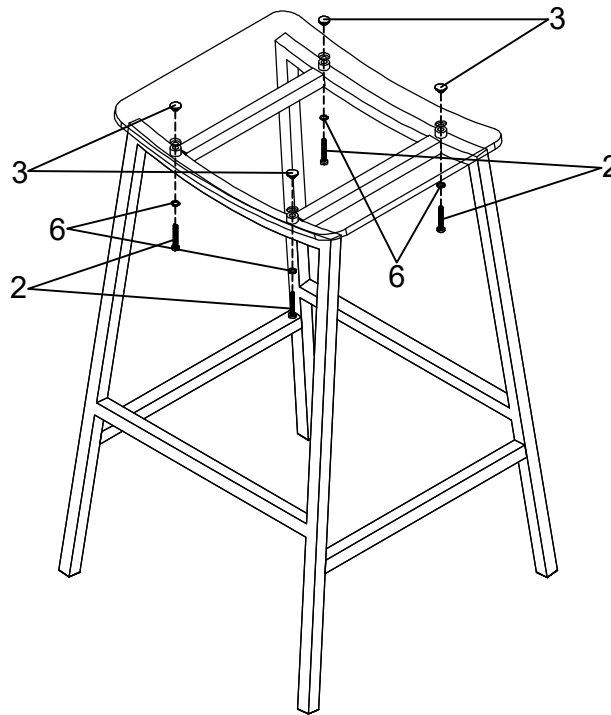
STEP 4



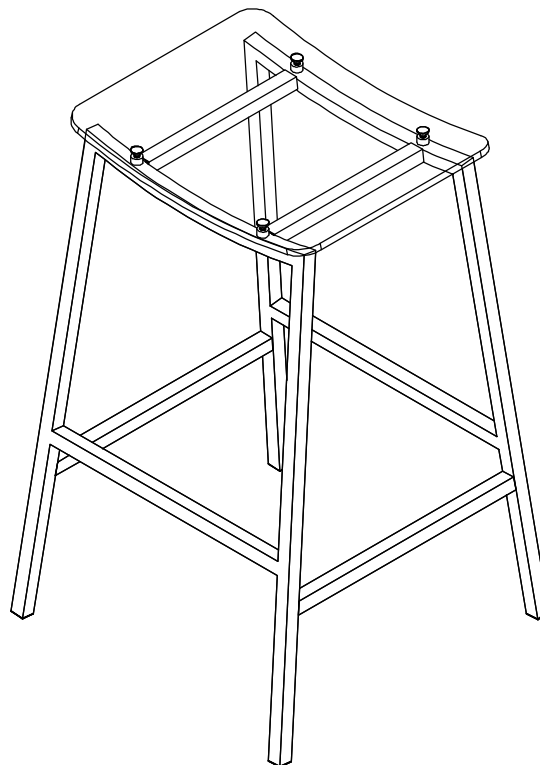
ITEM:182359

ASSEMBLY INSTRUCTIONS

STEP 5



STEP 6 COMPLETE



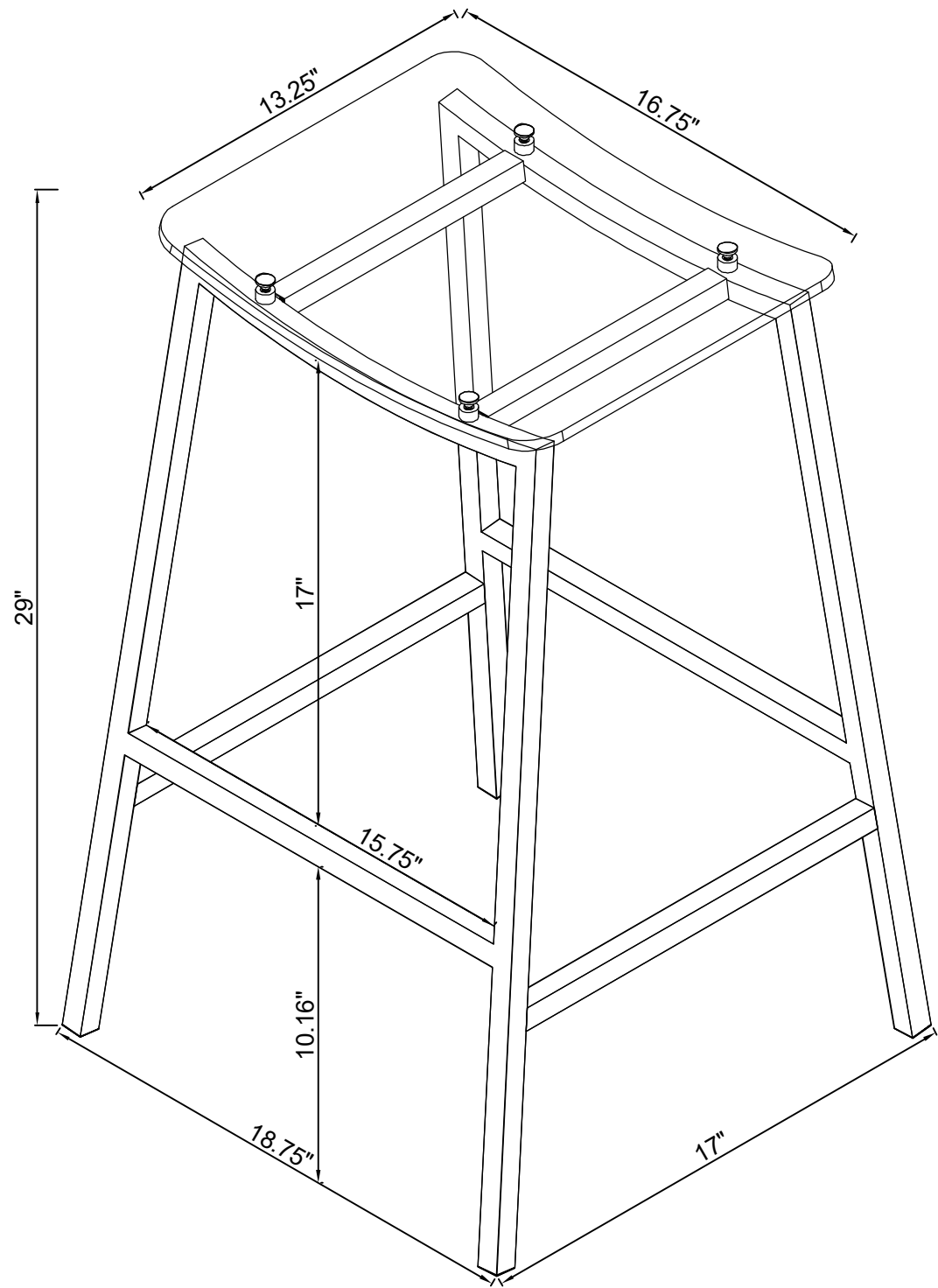
How to clean Acrylic product:
Using a dry soft microfiber cloth, lightly brush off any dust.
For additional care, dampen the cloth with warm water.
For deepest cleaning, use an Acrylic cleaner.

ITEM:182359

ASSEMBLY INSTRUCTIONS



Product Size : 476 X 432 X 737 H (MM)
Product Size : 18.75" X 17" X 29"



Note : Dimension tolerance $\pm 5\%$