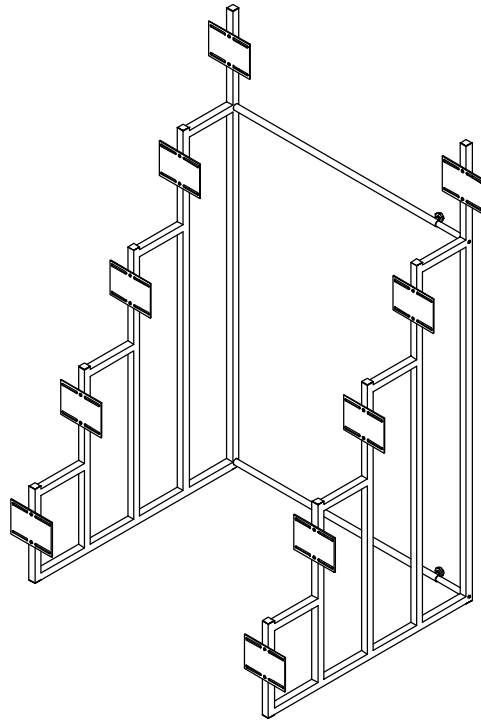


ASSEMBLY INSTRUCTIONS
COASTER FINE FURNITURE



Fine Furniture for every stage of life

301301
HB DISPLAY RACK

REVISION 0 : 12/19/2019
REVISION 1 : 08/25/2023

ITEM: 301301



ASSEMBLY INSTRUCTIONS

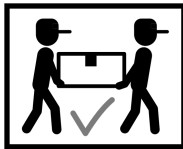
ASSEMBLY TIPS:

1. Remove hardware from box and sort by size.
2. Please check to see that all hardware and parts are present prior to start of assembly.
3. Please follow attached instructions in the same sequence as numbered to assure fast & easy assembly.



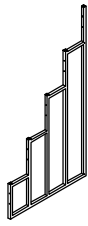
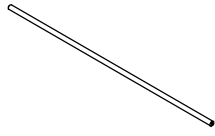
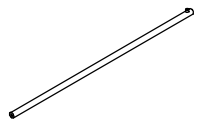
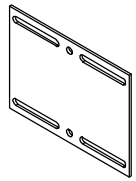
WARNING!

1. Don't attempt to repair or modify parts that are broken or defective. Please contact the store immediately.
2. This product is for home use only and not intended for commercial establishments.





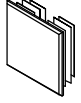


ASSEMBLY TIME 35 MINUTES

PARTS IDENTIFICATION

A	SIDE FRAME		2PCS
B	INSIDE CROSSBAR		2PCS
C	OUTSIDE CROSSBAR		2PCS
D	HEADBOARD CONNECTING BRACKET		10PCS

HARDWARE IDENTIFICATION

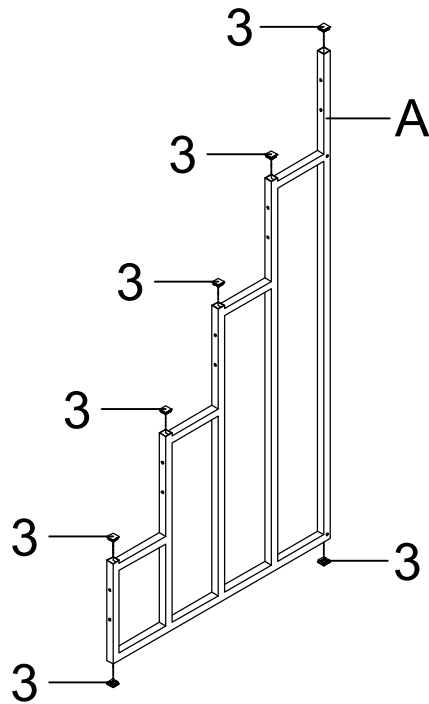
1	SHORT BOLT (1/4" x 15mm BLK)		20PCS	4	ADJUSTING BOLT		2PCS
2	LONG BOLT (1/4" x 47mm BLK)		4PCS	5	ALLEN WRENCH (4mm)		1PC
3	CAP (25 x 25mm BLK)		14PCS				

ITEM: 301301

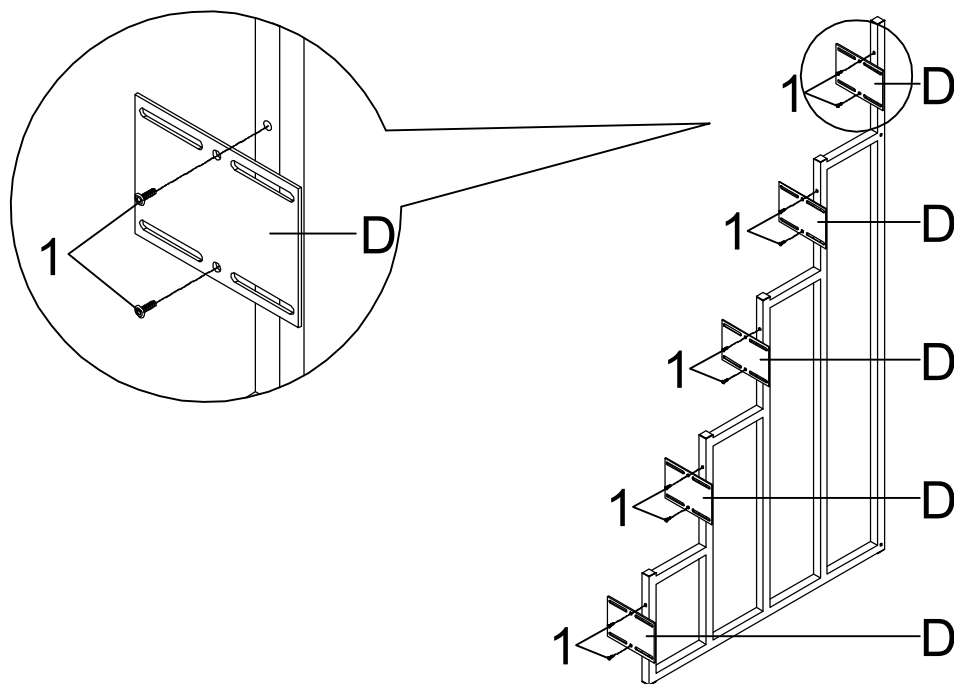


ASSEMBLY INSTRUCTIONS

STEP 1 Do not tighten until each step is completed or instructed.



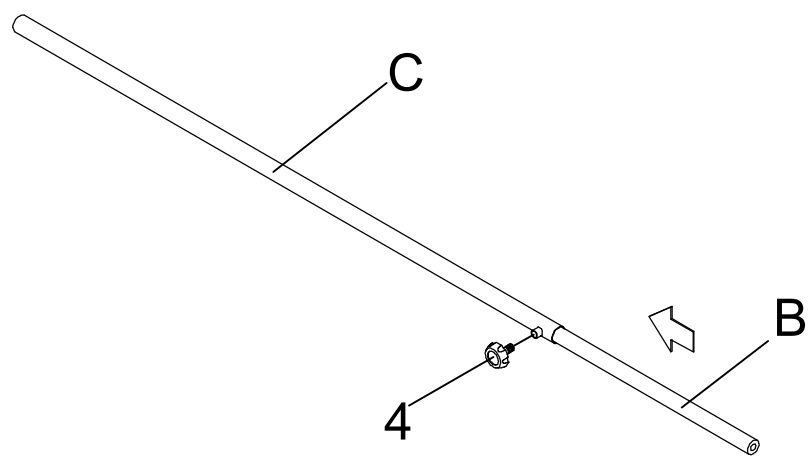
STEP 2



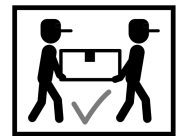
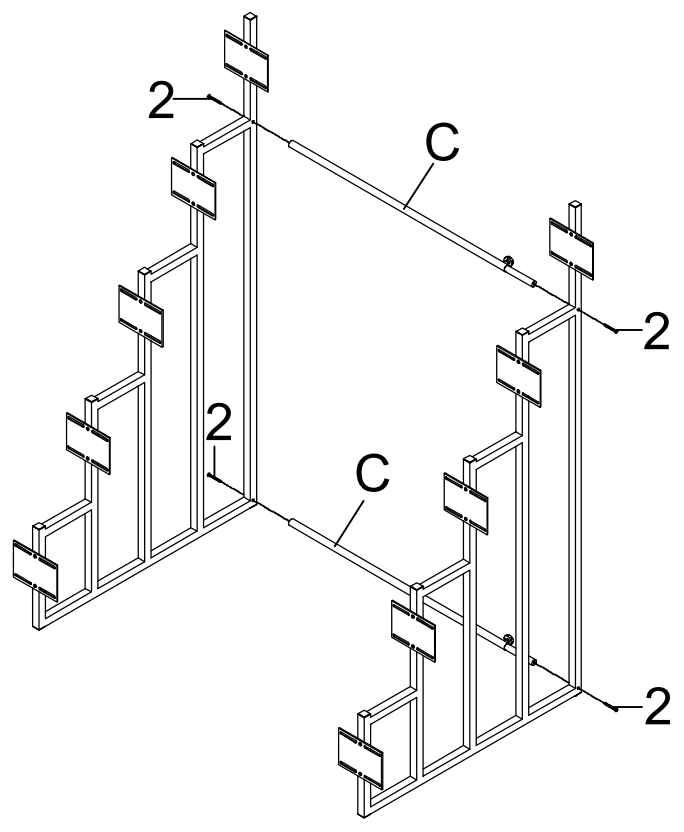
ITEM: 301301

ASSEMBLY INSTRUCTIONS

STEP 3



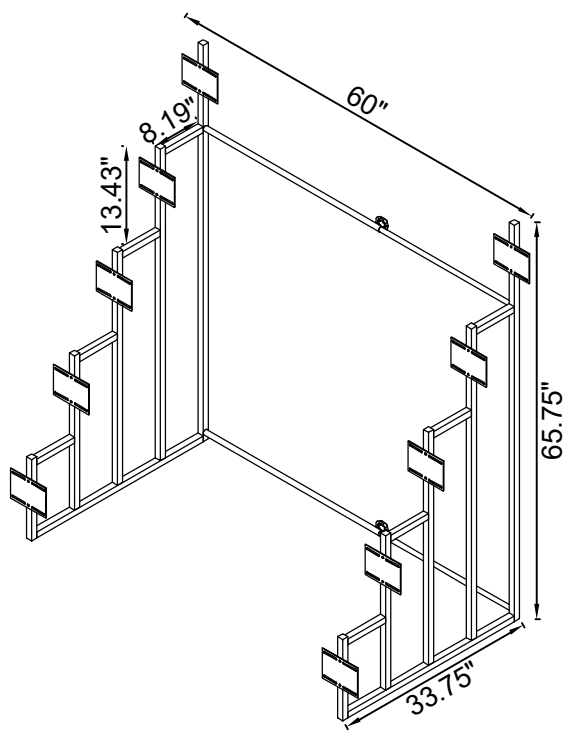
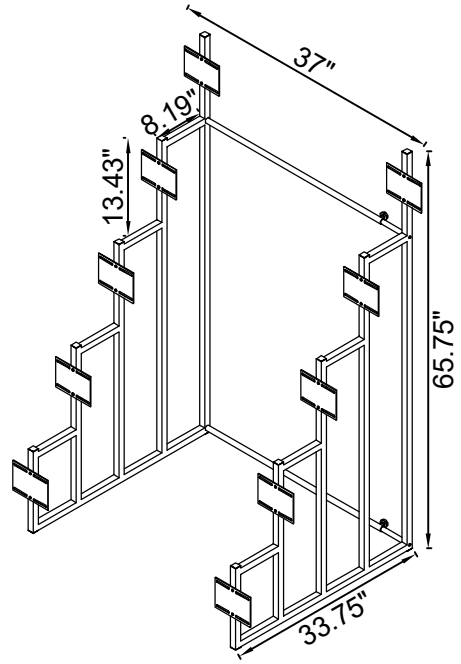
STEP 4



ITEM:301301 ASSEMBLY INSTRUCTIONS



Product Size : 940~1524 X 857 X 1670 H (MM)
Product Size : 37~60" X 33.75" X 65.75"



Note : Dimension tolerance $\pm 5\%$