

*ASSEMBLY INSTRUCTIONS*  
*COASTER FINE FURNITURE*



*Fine Furniture for every stage of life*

**205330KE(B1-B3)**  
***Eastern King Storage Bed***

# ITEM: 205330KE(B1-B3)



## ASSEMBLY INSTRUCTIONS

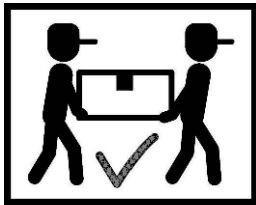
### ASSEMBLY TIPS:

1. Remove hardware from box and sort by size.
2. Please check to see that all hardware and parts are present prior to start of assembly.
3. Please follow attached instructions in the same sequence as numbered to assure fast & easy assembly.



### WARNING!

1. Don't attempt to repair or modify parts that are broken or defective. Please contact the store immediately.
2. This product is for home use only and not intended for commercial establishments.







ASSEMBLY TIME

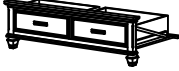

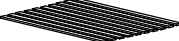
30 MINUTES

## PARTS IDENTIFICATION






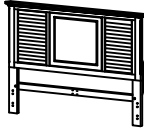
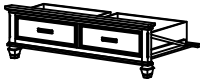
### B1 ( BOX 1 )

A	HEADBOARD PANEL		1PC
B	LEFT HEADBOARD LEG		1PC
C	RIGHT HEADBOARD LEG		1PC
D	HEADBOARD BOTTOM RAIL		1PC

### B2 ( BOX 2 )

E	STORAGE FOOTBOARD		1PC
F	DRAWER SUPPORT LEG WITH LEVELER		2PCS
G	ROLL SLAT (10PCS)		1SET

### B3 ( BOX 3 )

H	LEFT BED RAIL		1PC
I	RIGHT BED RAIL		1PC
J	CENTER RAIL		1PC
K	CENTER RAIL SUPPORT WITH LEVELER		2PCS
L	CONCEAL PANEL		5PCS
HB	205330KE (B1) FROM BOX 1 HEADBOARD COMPLETE		1PC
FB	205330KE (B2) FROM BOX 2 STORAGE FOOTBOARD COMPLETE		1PC

# ITEM: 205330KE(B1-B3)



## ASSEMBLY INSTRUCTIONS

### ASSEMBLY TIPS:

1. Remove hardware from box and sort by size.
2. Please check to see that all hardware and parts are present prior to start of assembly.
3. Please follow attached instructions in the same sequence as numbered to assure fast & easy assembly.



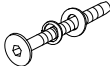











### WARNING!

1. Don't attempt to repair or modify parts that are broken or defective. Please contact the store immediately.
2. This product is for home use only and not intended for commercial establishments.

## HARDWARE IDENTIFICATION

### Z-B3 (BOX 3) - HARDWARE PACK IS LOCATED IN 205330KE(B3)

1	<b>ALLEN WRENCH</b> (M4 x 110mm - BLK)		1PC
2	<b>SHORT BOLT</b> (M6 x 50mm - BLK)		16PCS
3	<b>LONG BOLT</b> (M6 x 70mm - BLK)		4PCS
4	<b>WOOD DOWEL</b> (M8 x 30mm)		4PCS
5	<b>SHORT PAN HEAD SCREW</b> (M4 x 12mm - BLK)		30PCS
6	<b>LONG PAN HEAD SCREW</b> (M4 x 16mm - RBW)		6PCS
7	<b>SHORT FLAT HEAD SCREW</b> (M4 x 20mm - BLK)		8PCS
8	<b>LONG FLAT HEAD SCREW</b> (#8 x 1 1/8" - BLK)		20PCS
9	<b>L BRACKET</b> (BKT-4HC-01(2.0mm) - RBW)		2PCS
10	<b>HEX NUT</b> (M6 - RBW)		2PCS
11	<b>U BRACKET</b> (26 x 63 x 70mm - RBW)		2PCS
12	<b>WRENCH</b> (2 x 24.5 x 85 - RBW)		1PC

### NOTE:

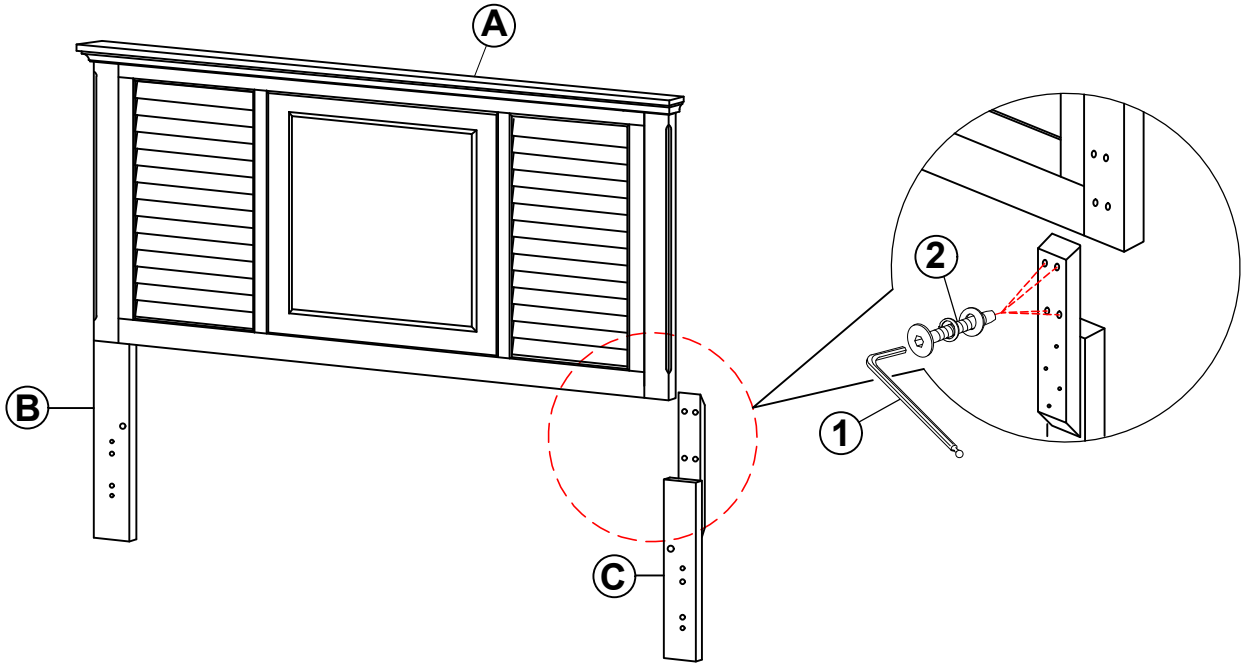
Phillips head screw driver is required in the assembly process; however, manufacturer does not provide this item.

ITEM: **205330KE(B1-B3)**

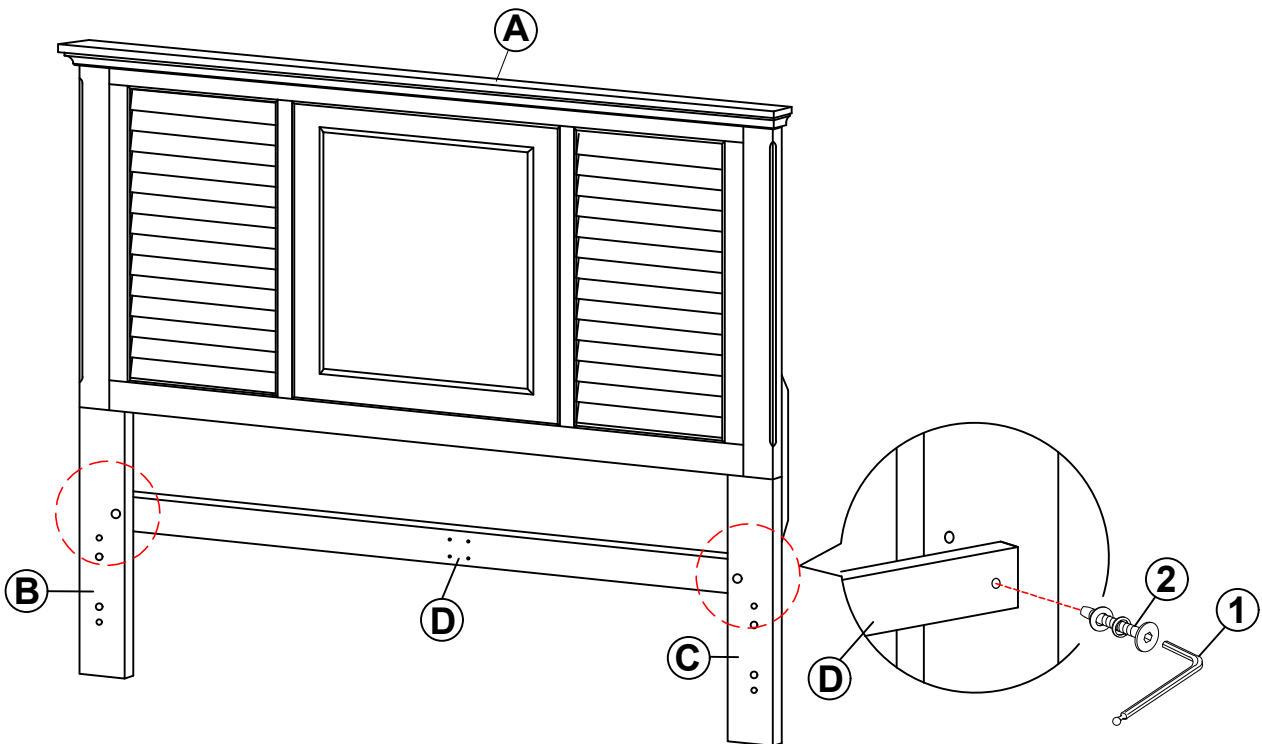


**ASSEMBLY INSTRUCTIONS**

**STEP 1**



**STEP 2**

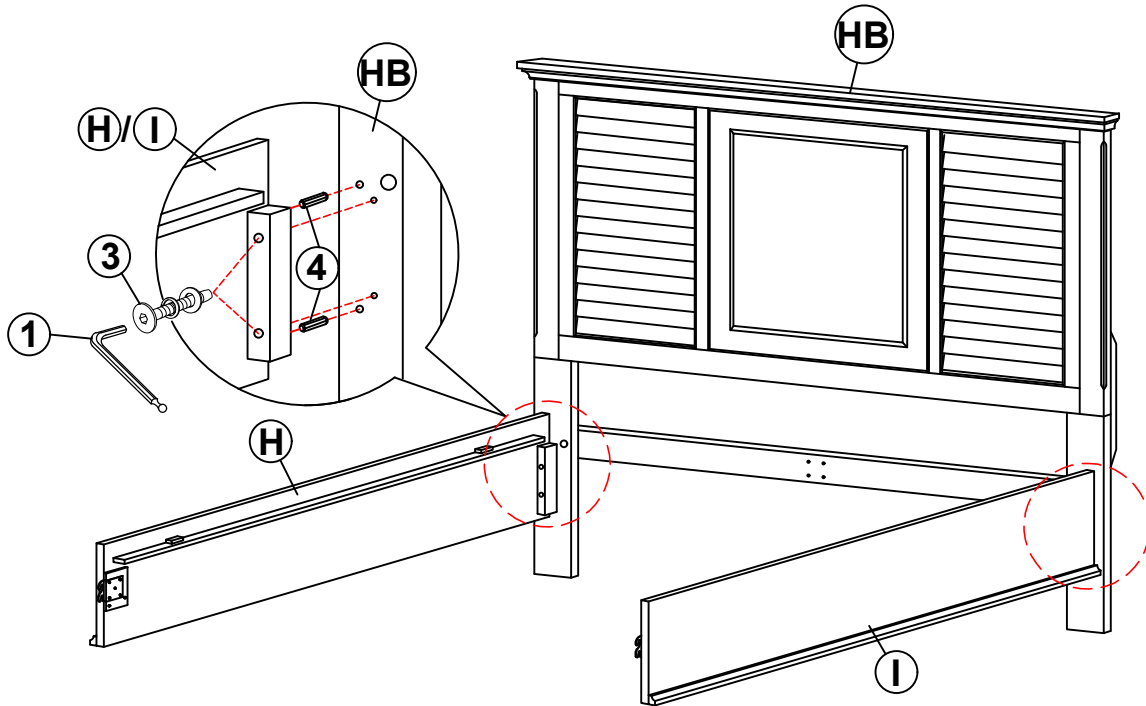


ITEM: **205330KE(B1-B3)**

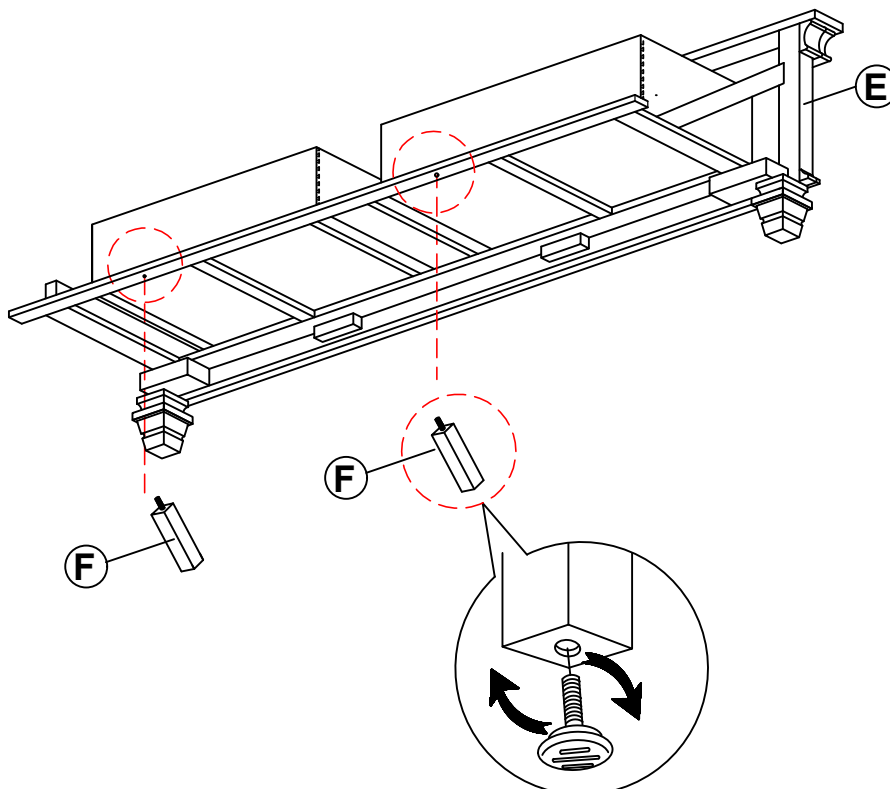


**ASSEMBLY INSTRUCTIONS**

**STEP 3**



**STEP 4**

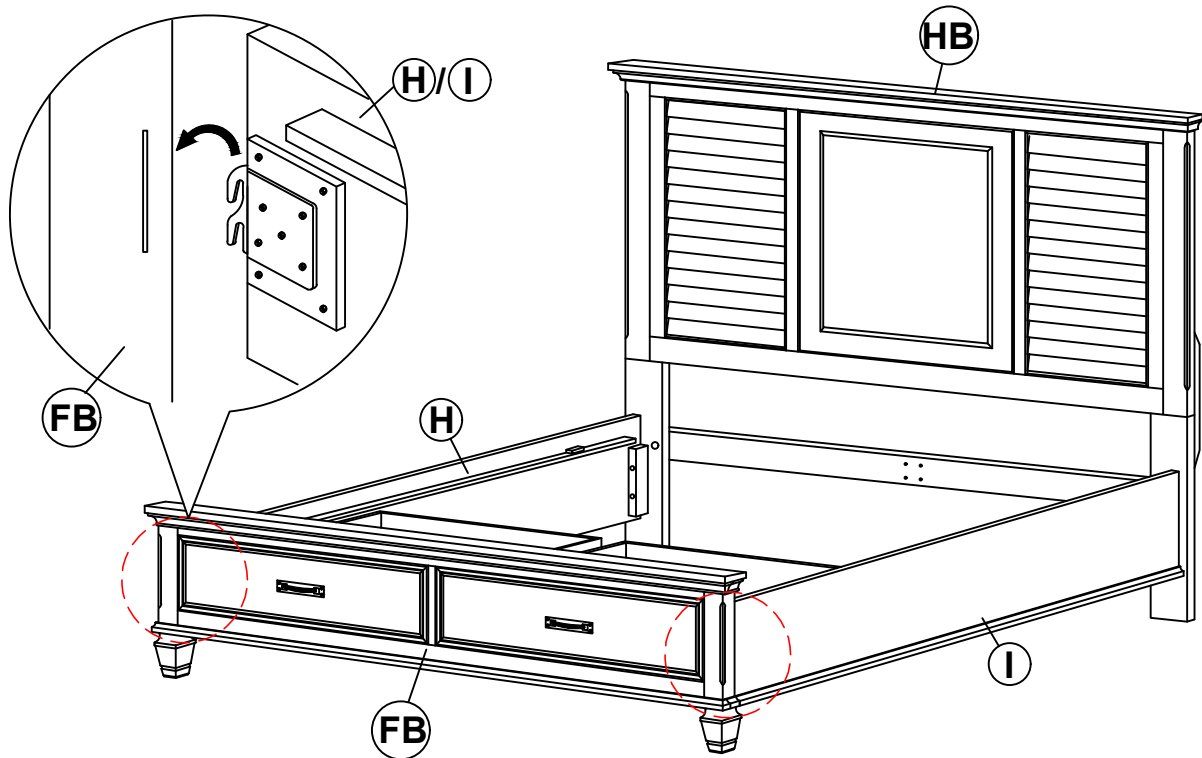


ITEM: **205330KE(B1-B3)**

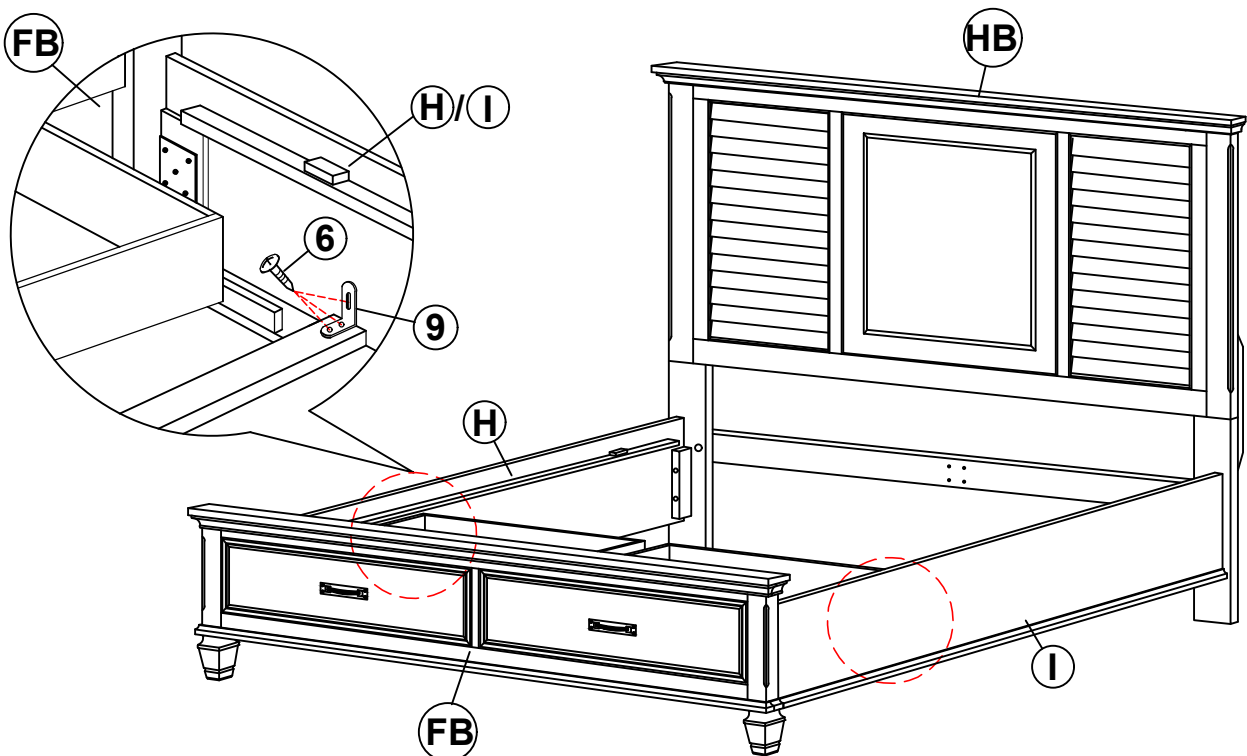


**ASSEMBLY INSTRUCTIONS**

**STEP 5**



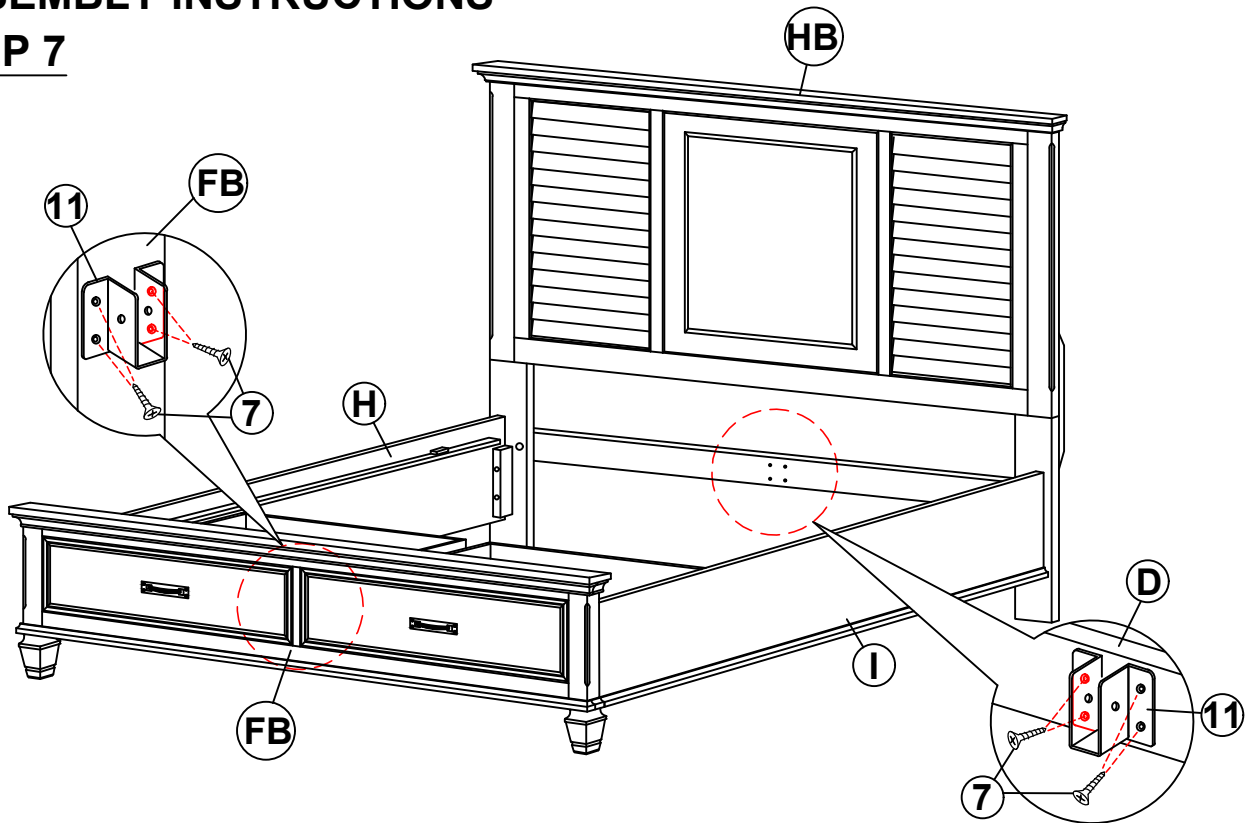
**STEP 6**



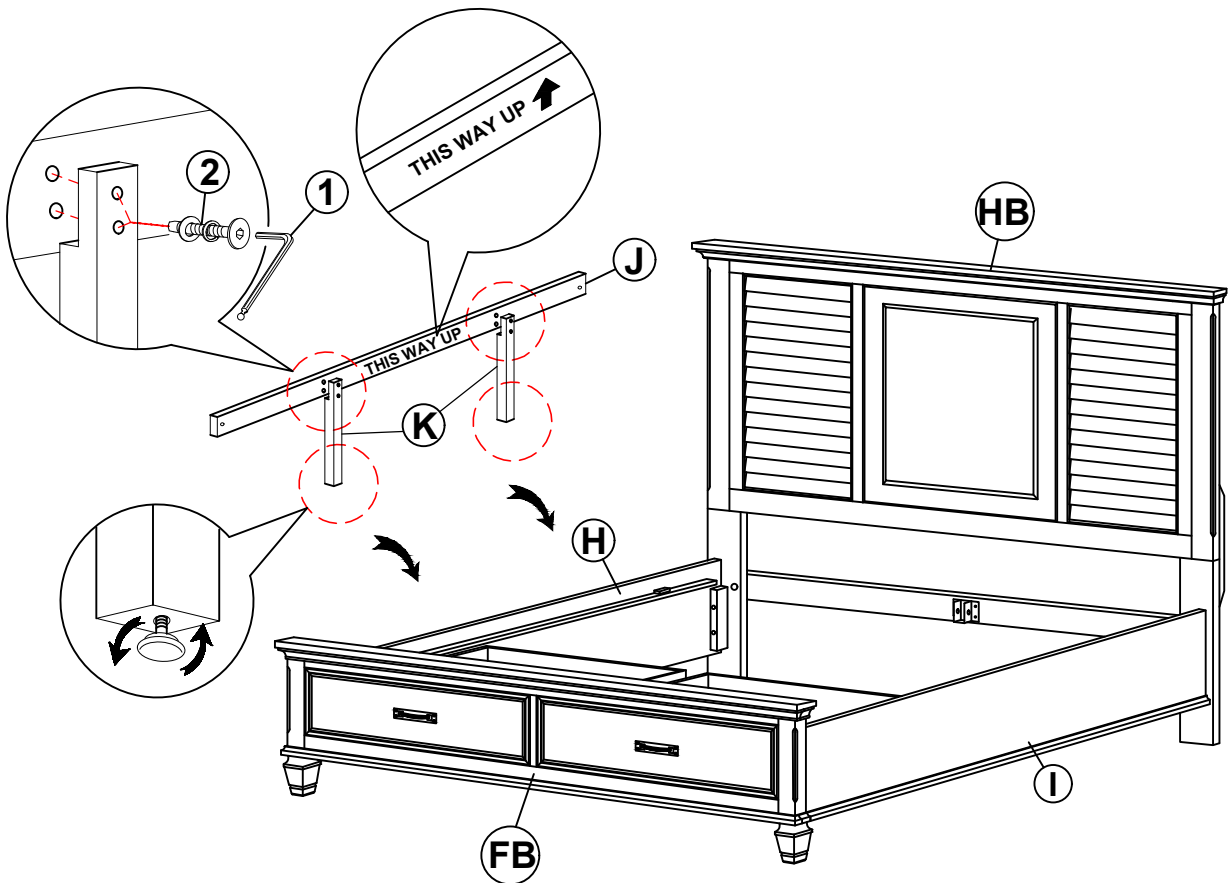
ITEM: **205330KE(B1-B3)**



**ASSEMBLY INSTRUCTIONS**  
**STEP 7**



**STEP 8**

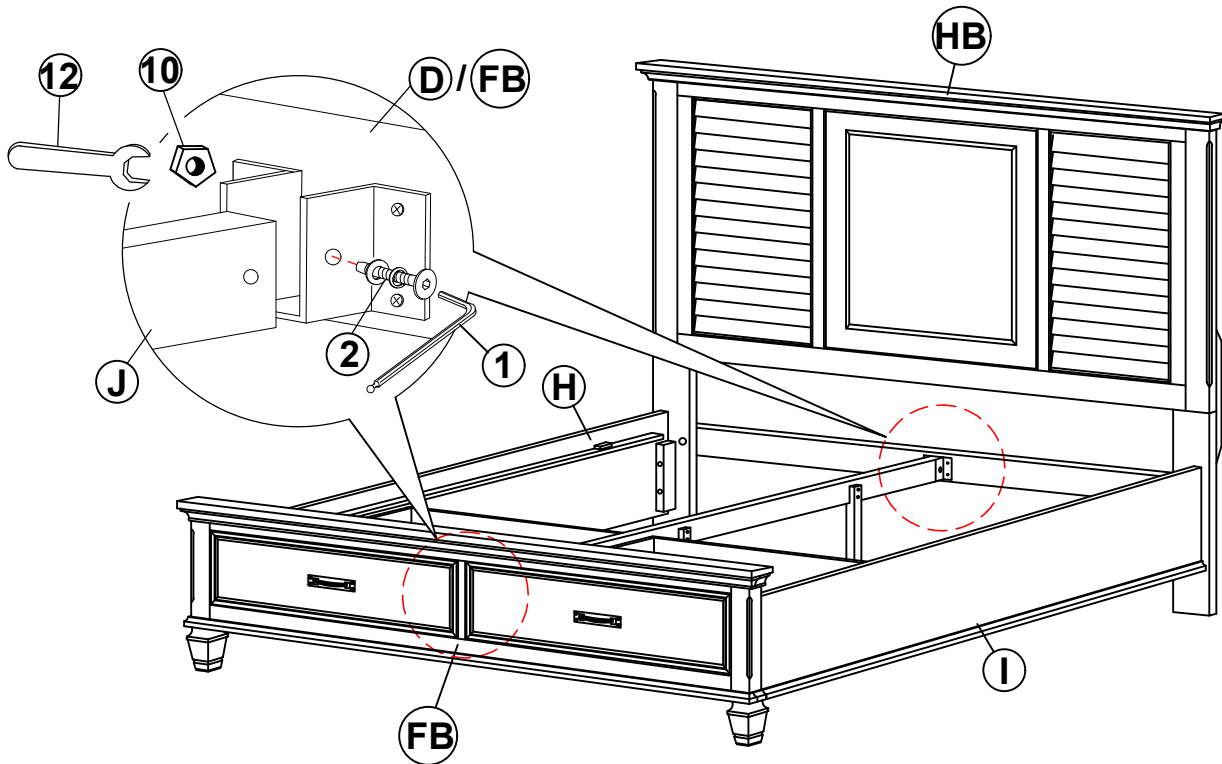


ITEM: **205330KE(B1-B3)**

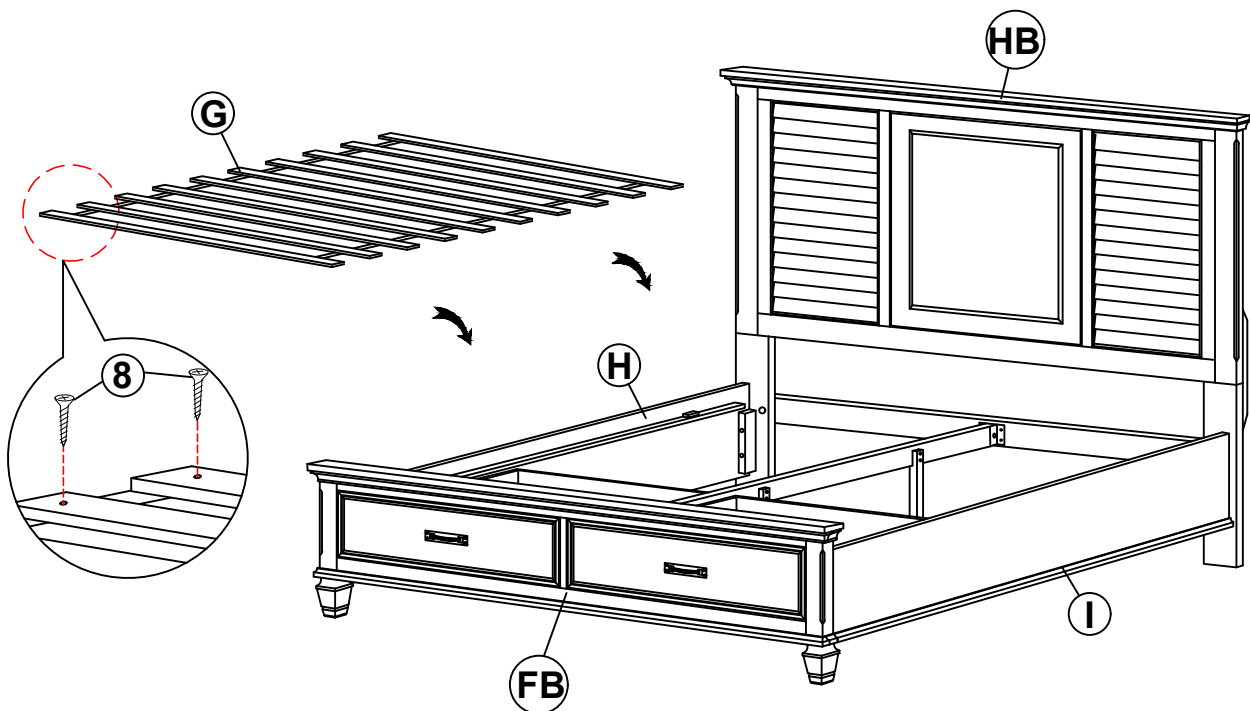


**ASSEMBLY INSTRUCTIONS**

**STEP 9**



**STEP 10**

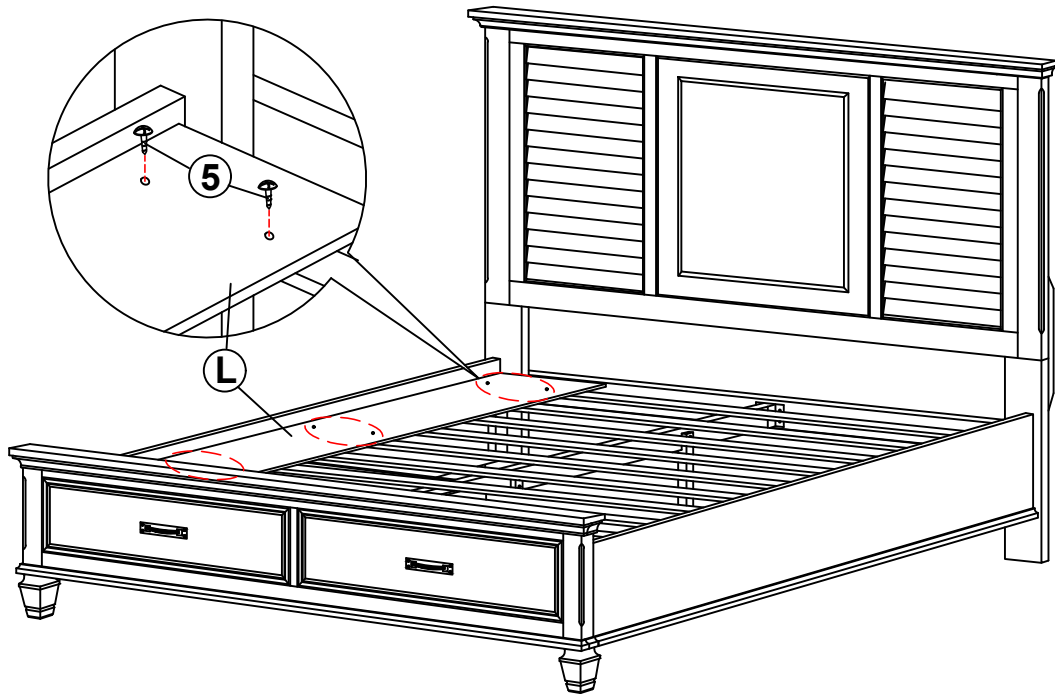




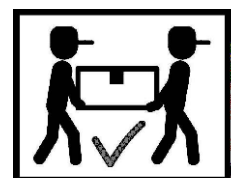
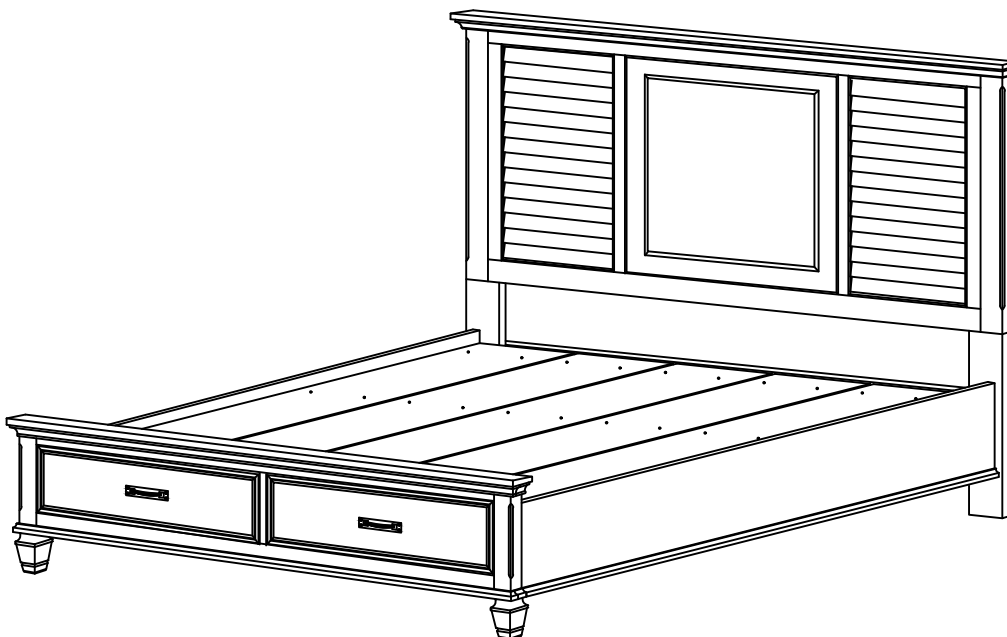
ITEM: **205330KE(B1-B3)**



**ASSEMBLY INSTRUCTIONS**  
**STEP 11**



**STEP 12**  
**COMPLETE**

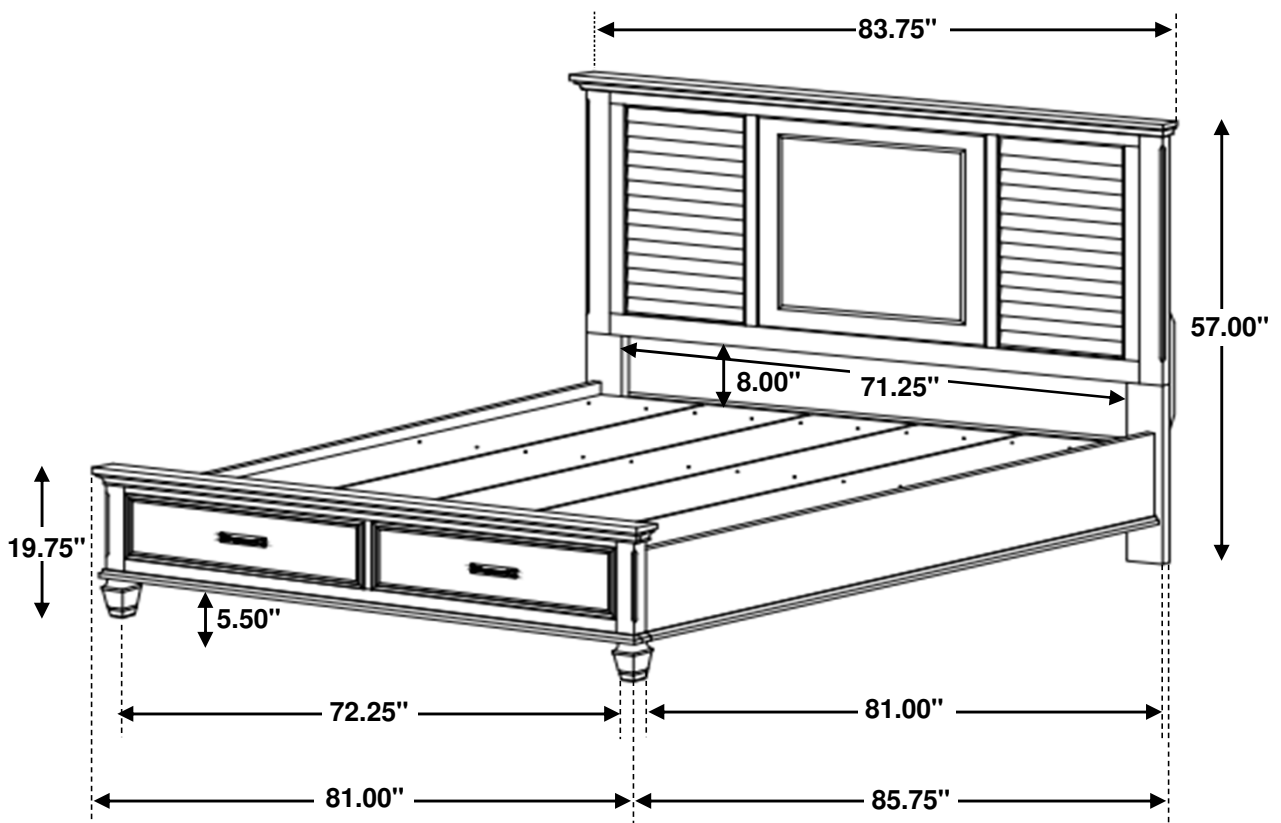


ITEM: **205330KE(B1-B3)**



Inner Size : 77.00"W X 81.00"D

Inner Size of Drawer : 32.00"W X 18.75"D X 5.75"H X 0.50"T



Note : Dimension tolerance  $\pm 5\%$