



ASSEMBLY INSTRUCTIONS COASTER FINE FURNITURE



Fine Furniture for every stage of life

205330Q(B1-B3) Queen Storage Bed

REVISION 0 : 11/05/2019
REVISION 1 : 08/07/2020
REVISION 2 : 09/04/2023

ITEM: 205330Q(B1-B3)



ASSEMBLY INSTRUCTIONS

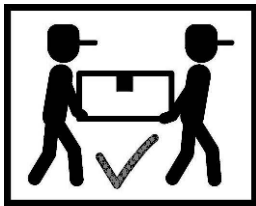
ASSEMBLY TIPS:

1. Remove hardware from box and sort by size.
2. Please check to see that all hardware and parts are present prior to start of assembly.
3. Please follow attached instructions in the same sequence as numbered to assure fast & easy assembly.



WARNING!

1. Don't attempt to repair or modify parts that are broken or defective. Please contact the store immediately.
2. This product is for home use only and not intended for commercial establishments.



ASSEMBLY TIME

30 MINUTES

PARTS IDENTIFICATION

B1 (BOX 1)

| | | | |
|---|-----------------------|--|-----|
| A | HEADBOARD PANEL | | 1PC |
| B | LEFT HEADBOARD LEG | | 1PC |
| C | RIGHT HEADBOARD LEG | | 1PC |
| D | HEADBOARD BOTTOM RAIL | | 1PC |

B2 (BOX 2)

| | | | |
|---|---------------------------------|--|------|
| E | STORAGE FOOTBOARD | | 1PC |
| F | DRAWER SUPPORT LEG WITH LEVELER | | 2PCS |
| G | ROLL SLAT (10PCS) | | 1SET |

B3 (BOX 3)

| | | | |
|----|--|--|------|
| H | LEFT BED RAIL | | 1PC |
| I | RIGHT BED RAIL | | 1PC |
| J | CENTER RAIL | | 1PC |
| K | CENTER RAIL SUPPORT WITH LEVELER | | 2PCS |
| L | CONCEAL PANEL | | 4PCS |
| HB | 205330Q (B1) FROM BOX 1 HEADBOARD COMPLETE | | 1PC |
| FB | 205330Q (B2) FROM BOX 2 STORAGE FOOTBOARD COMPLETE | | 1PC |

ITEM: 205330Q(B1-B3)



ASSEMBLY INSTRUCTIONS

ASSEMBLY TIPS:

1. Remove hardware from box and sort by size.
2. Please check to see that all hardware and parts are present prior to start of assembly.
3. Please follow attached instructions in the same sequence as numbered to assure fast & easy assembly.


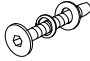
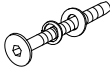











WARNING!

1. Don't attempt to repair or modify parts that are broken or defective. Please contact the store immediately.
2. This product is for home use only and not intended for commercial establishments.

HARDWARE IDENTIFICATION

Z-B3 (BOX 3) - HARDWARE PACK IS LOCATED IN 205330Q(B3)

| | | | |
|----|--|---|-------|
| 1 | ALLEN WRENCH (M4 x 110mm - BLK) |  | 1PC |
| 2 | SHORT BOLT (M6 x 50mm - BLK) |  | 16PCS |
| 3 | LONG BOLT (M6 x 70mm - BLK) |  | 4PCS |
| 4 | WOOD DOWEL (M8 x 30mm) |  | 4PCS |
| 5 | SHORT PAN HEAD SCREW (M4 x 12mm - BLK) |  | 24PCS |
| 6 | LONG PAN HEAD SCREW (M4 x 16mm - RBW) |  | 6PCS |
| 7 | SHORT FLAT HEAD SCREW (M4 x 20mm - BLK) |  | 8PCS |
| 8 | LONG FLAT HEAD SCREW (#8 x 1 1/8" - BLK) |  | 20PCS |
| 9 | L BRACKET (BKT-4HC-01(2.0mm) - RBW) |  | 2PCS |
| 10 | HEX NUT (M6 - RBW) |  | 2PCS |
| 11 | U BRACKET (26 x 63 x 70mm - RBW) |  | 2PCS |
| 12 | WRENCH (2 x 24.5 x 85 - RBW) |  | 1PC |

NOTE:

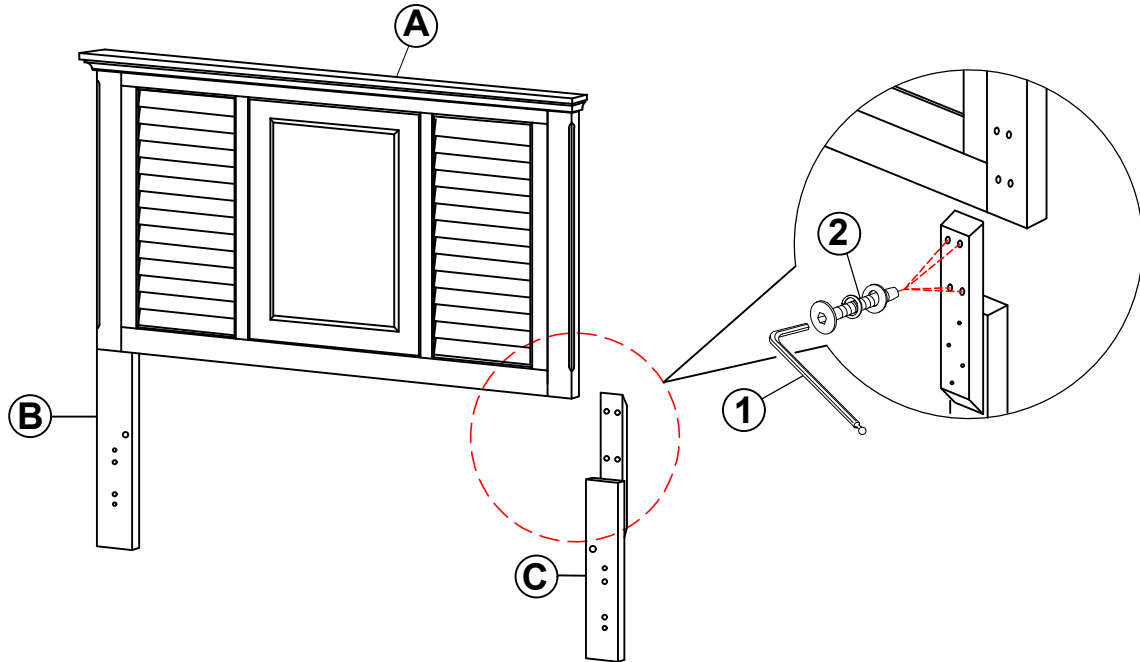
Phillips head screw driver is required in the assembly process; however, manufacturer does not provide this item.

ITEM: **205330Q(B1-B3)**

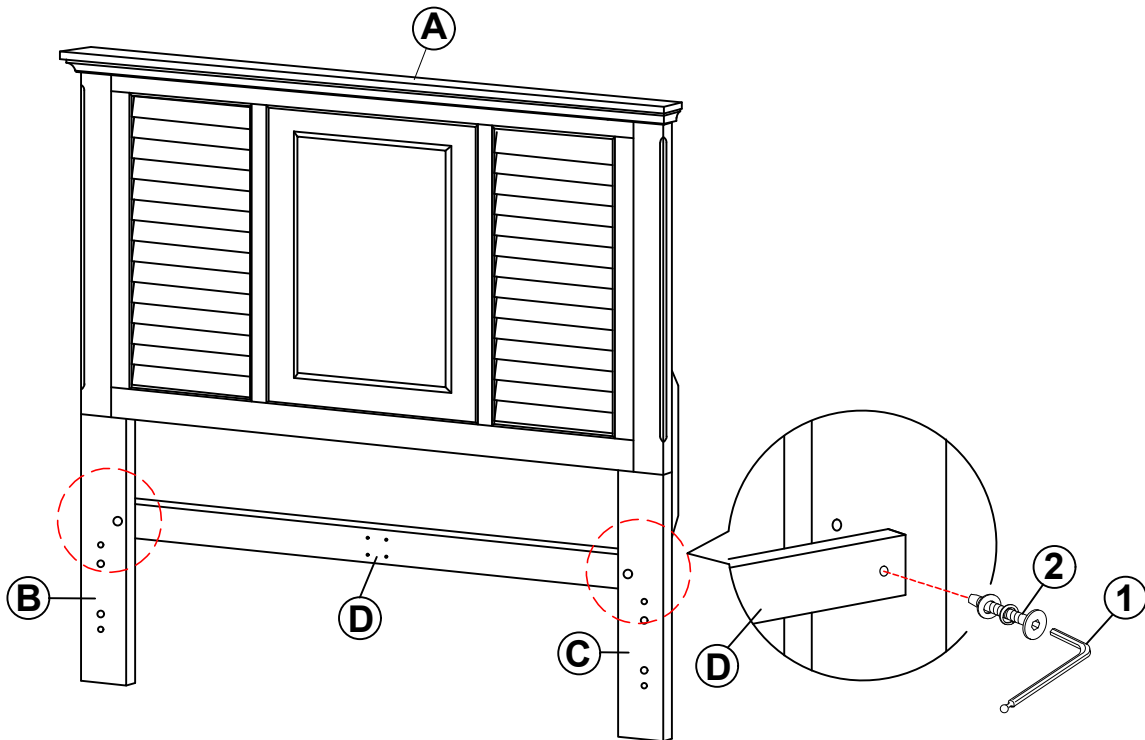


ASSEMBLY INSTRUCTIONS

STEP 1



STEP 2

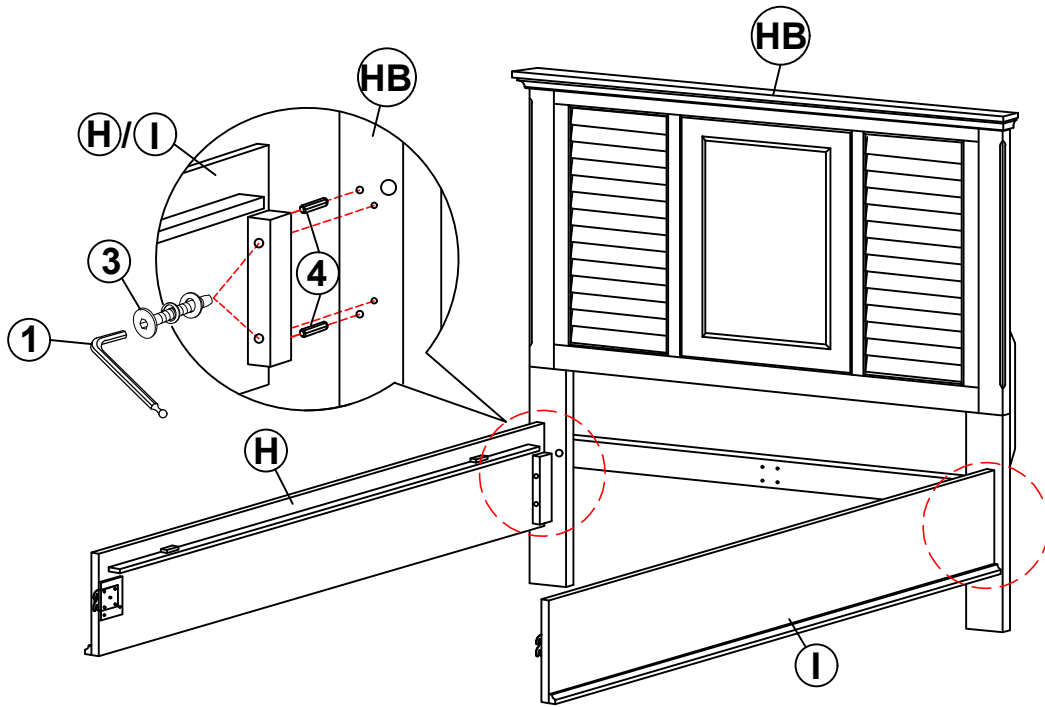


ITEM: **205330Q(B1-B3)**

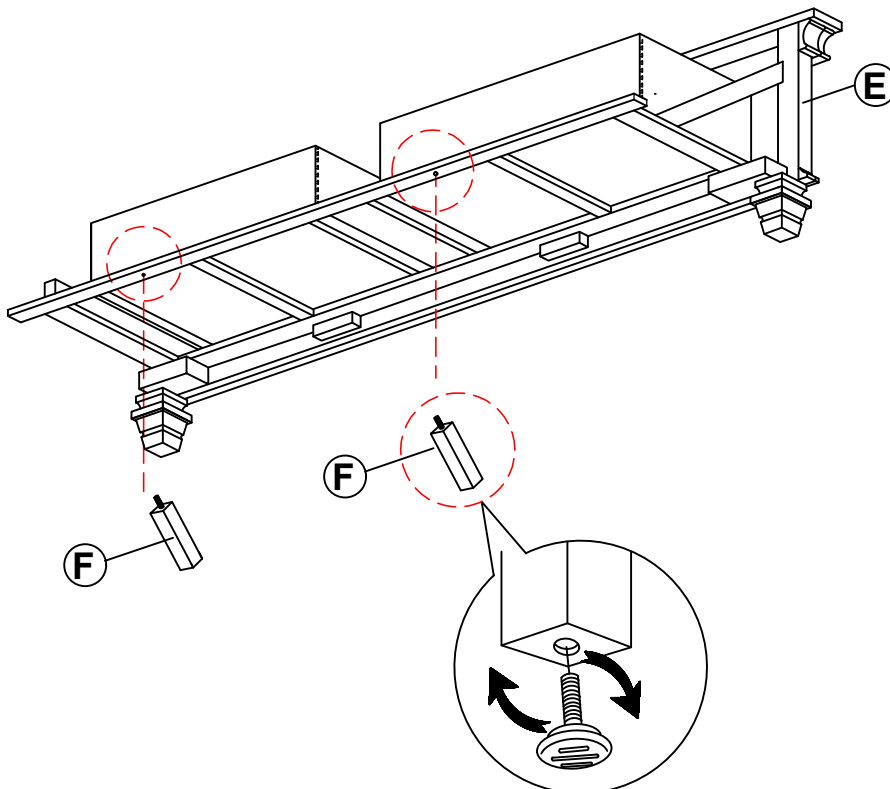


ASSEMBLY INSTRUCTIONS

STEP 3



STEP 4

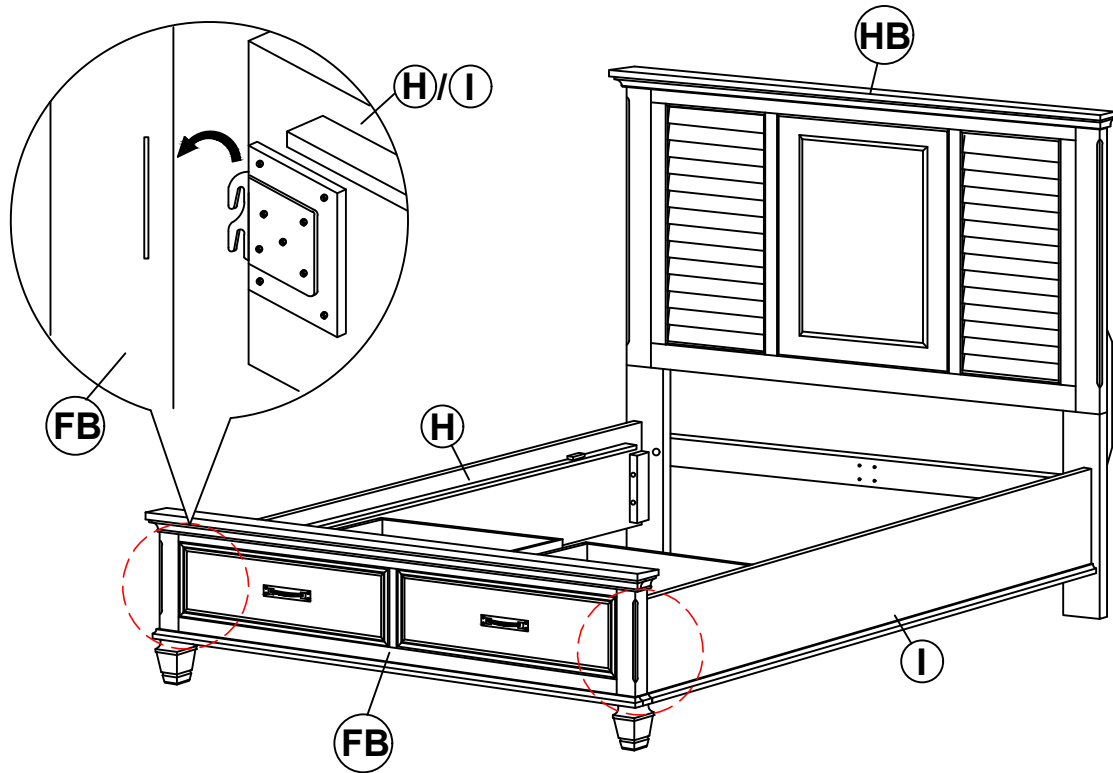


ITEM: **205330Q(B1-B3)**

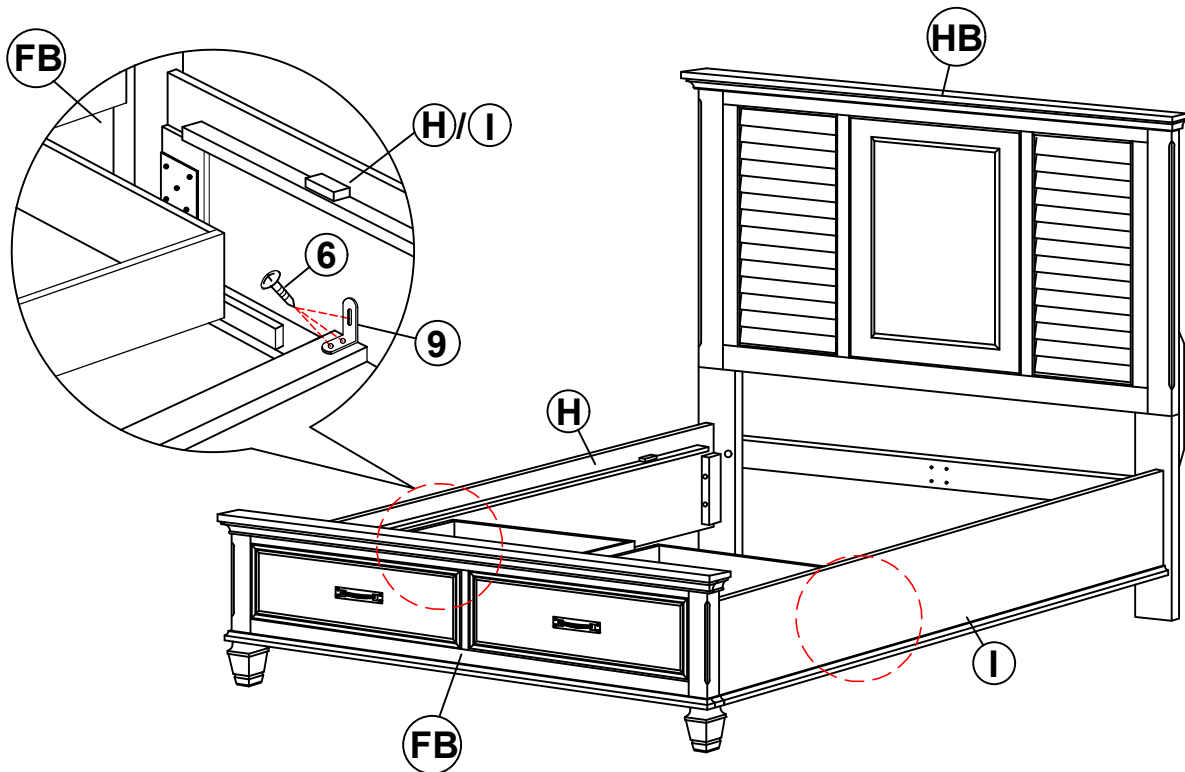


ASSEMBLY INSTRUCTIONS

STEP 5



STEP 6

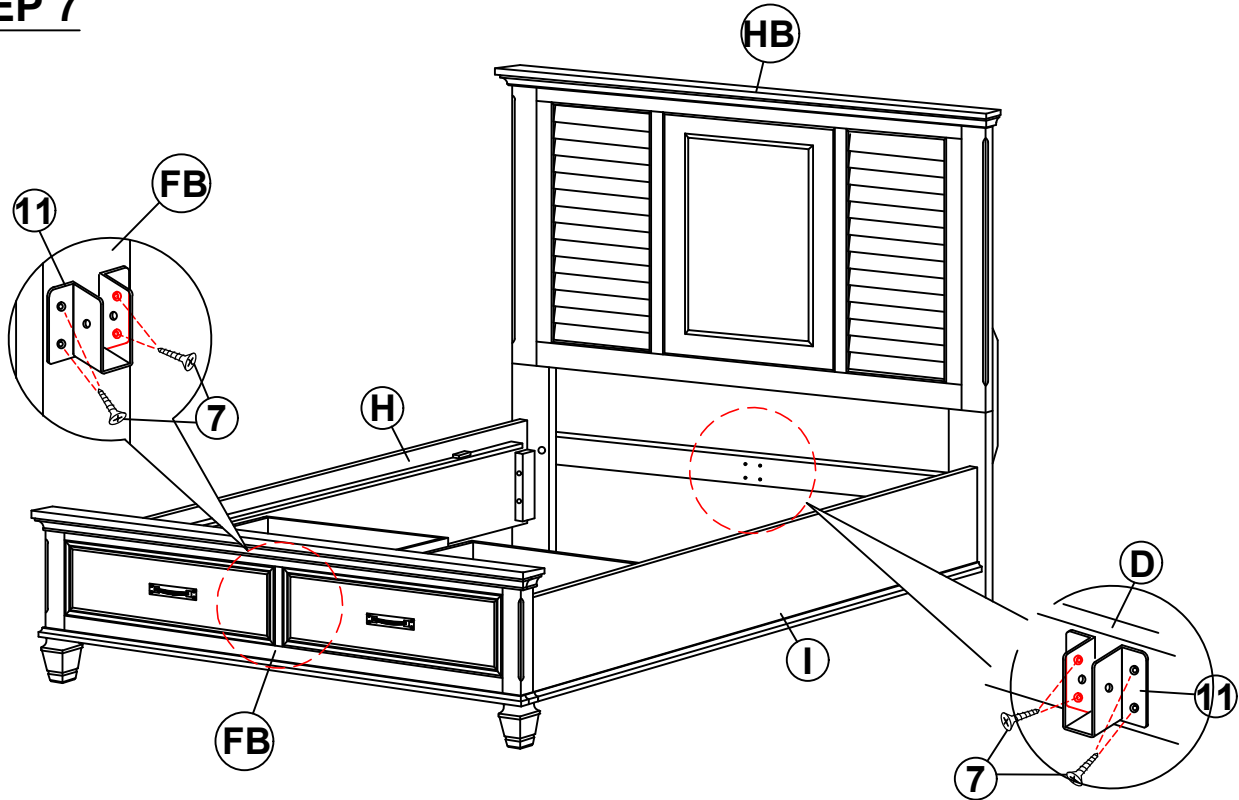


ITEM: **205330Q(B1-B3)**

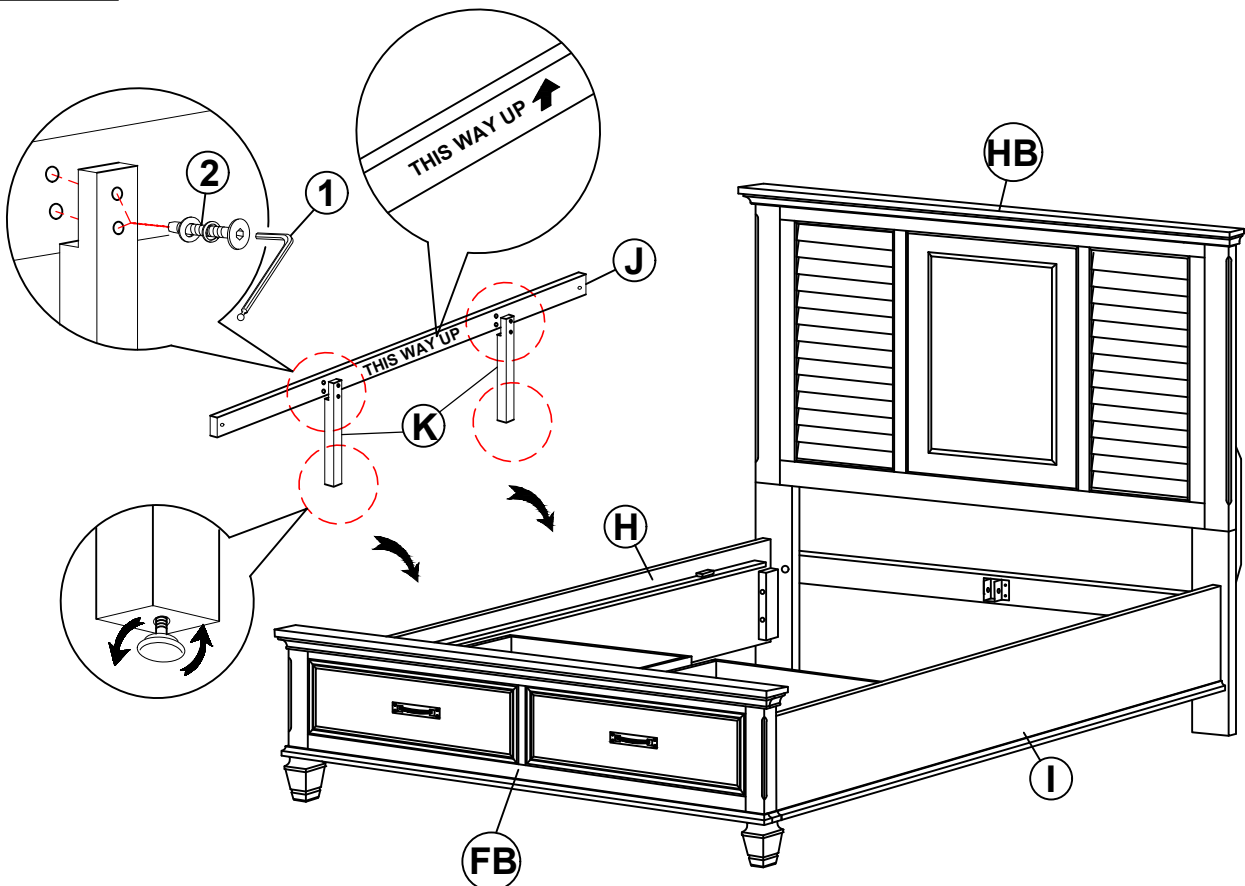


ASSEMBLY INSTRUCTIONS

STEP 7



STEP 8

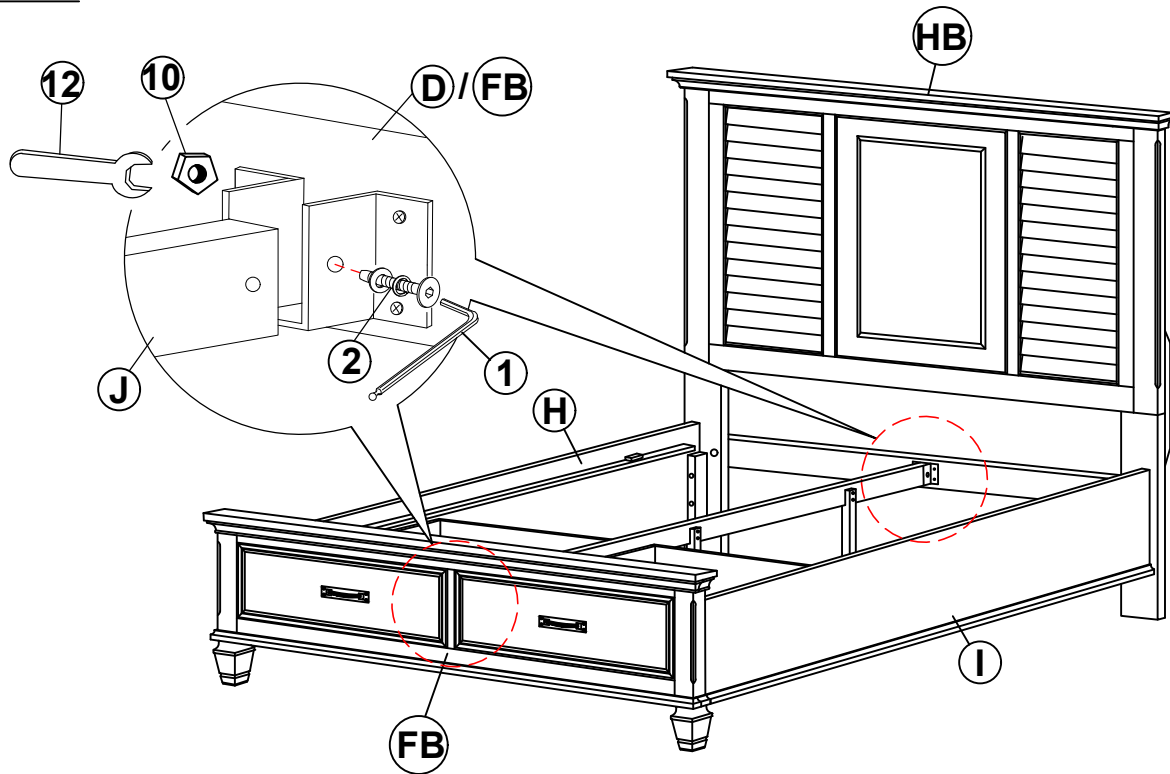


ITEM: **205330Q(B1-B3)**

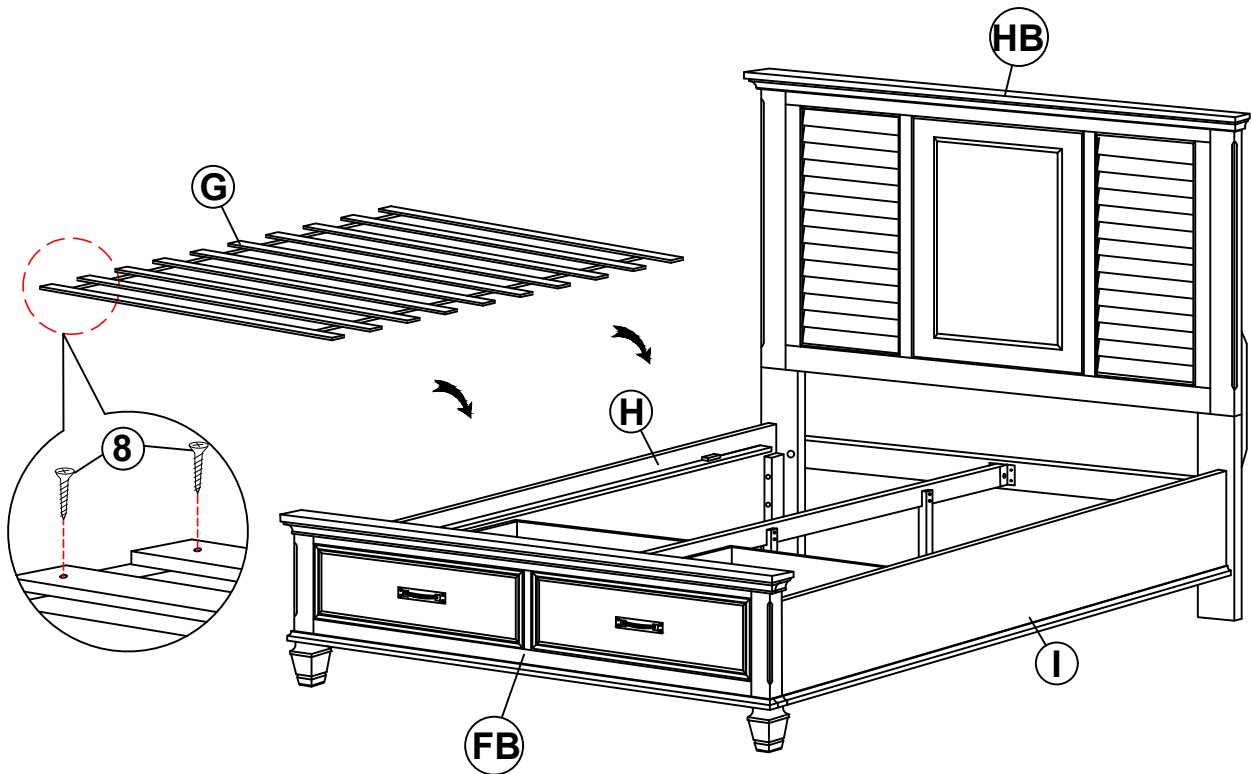


ASSEMBLY INSTRUCTIONS

STEP 9



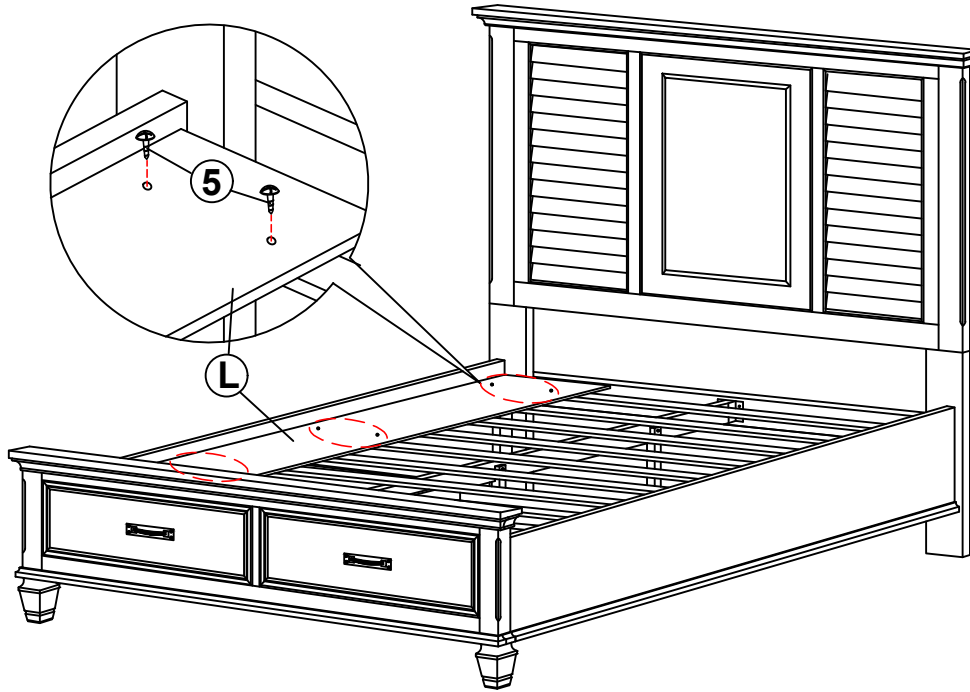
STEP 10



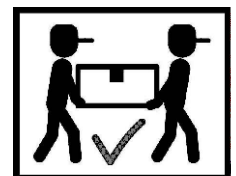
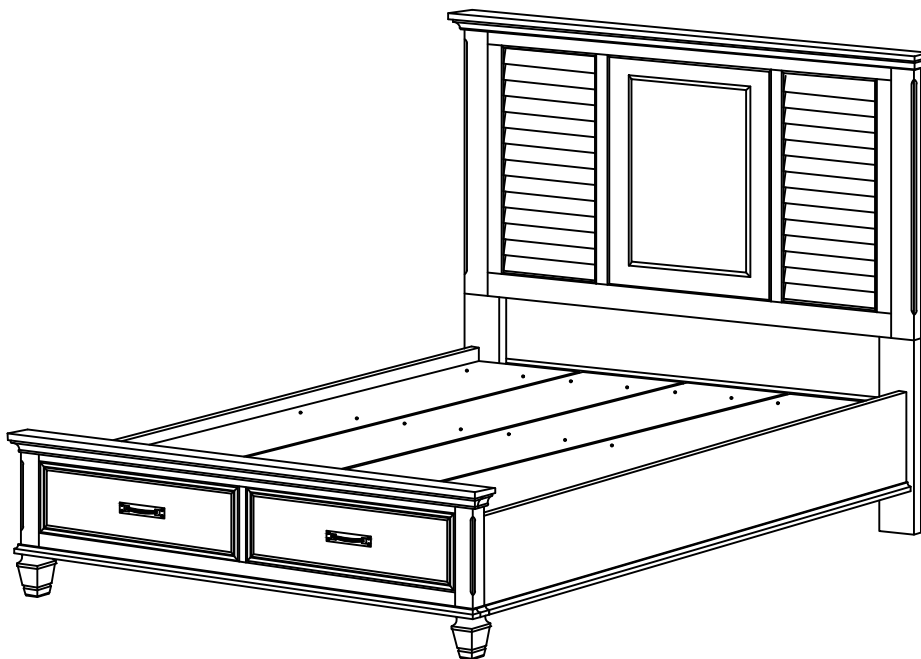
ITEM: **205330Q(B1-B3)**



ASSEMBLY INSTRUCTIONS
STEP 11



STEP 12
COMPLETE

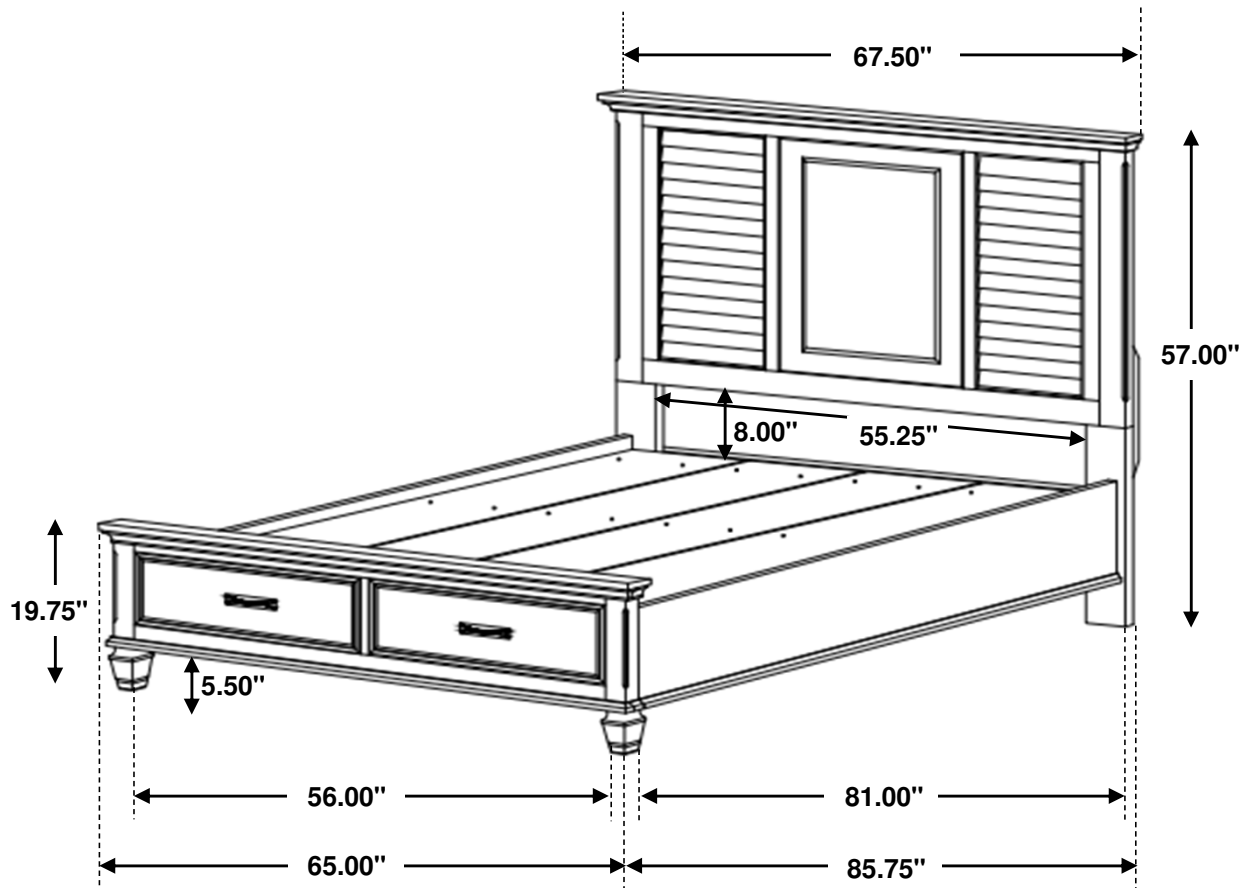


ITEM: **205330Q(B1-B3)**



Inner Size : 61.00"W X 81.00"D

Inner Size of Drawer : 24.00"W X 18.75"D X 5.75"H X 0.50"T



Note : Dimension tolerance $\pm 5\%$