

ASSEMBLY INSTRUCTIONS
COASTER FINE FURNITURE



Fine Furniture for every stage of life

120630
DINING TABLE

ITEM:120630



ASSEMBLY INSTRUCTIONS

ASSEMBLY TIPS:

1. Remove hardware from box and sort by size.
2. Please check to see that all hardware and parts are present prior to start of assembly.
3. Please follow attached instructions in the same sequence as numbered to assure fast & easy assembly.



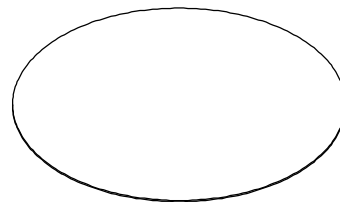
WARNING!

1. Don't attempt to repair or modify parts that are broken or defective. Please contact the store immediately.
2. This product is for home use only and not intended for commercial establishments.

ASSEMBLY TIME 35 MINUTES

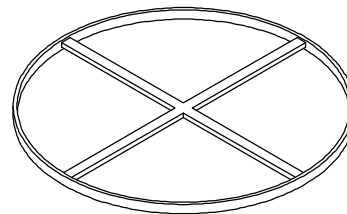
PARTS IDENTIFICATION

A MIRROR



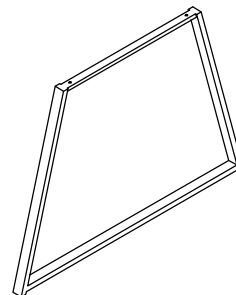
1PC

B TOP FRAME



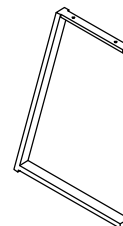
1PC

C LARGE LEG FRAME



1PC

D SMALL LEG FRAME



1PC

ITEM:120630

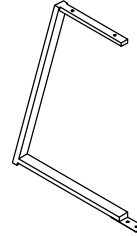
ASSEMBLY INSTRUCTIONS

PARTS IDENTIFICATION



E

SMALL LEG FRAME
WITH METAL



1PC

Z

HARDWARE IDENTIFICATION

1

SHORT BOLT
(1/4" x 12mm BLK)



2PCS

4

SUCTION CUP



4PCS

2

LONG BOLT
(1/4" x 28mm BLK)



6PCS

5

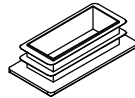
ALLEN WRENCH
(4mm)



1PC

3

CAP
(20 x 40mm BLK)



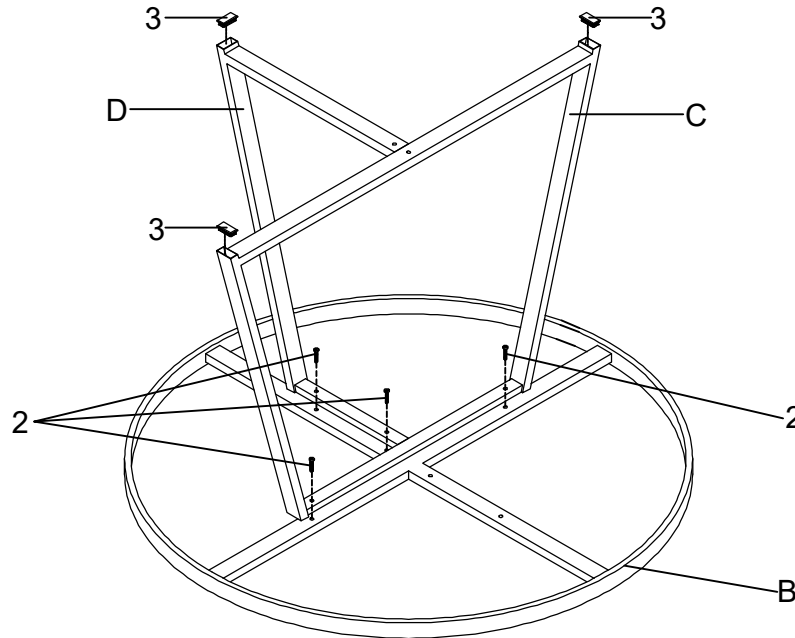
4PCS

ITEM:120630

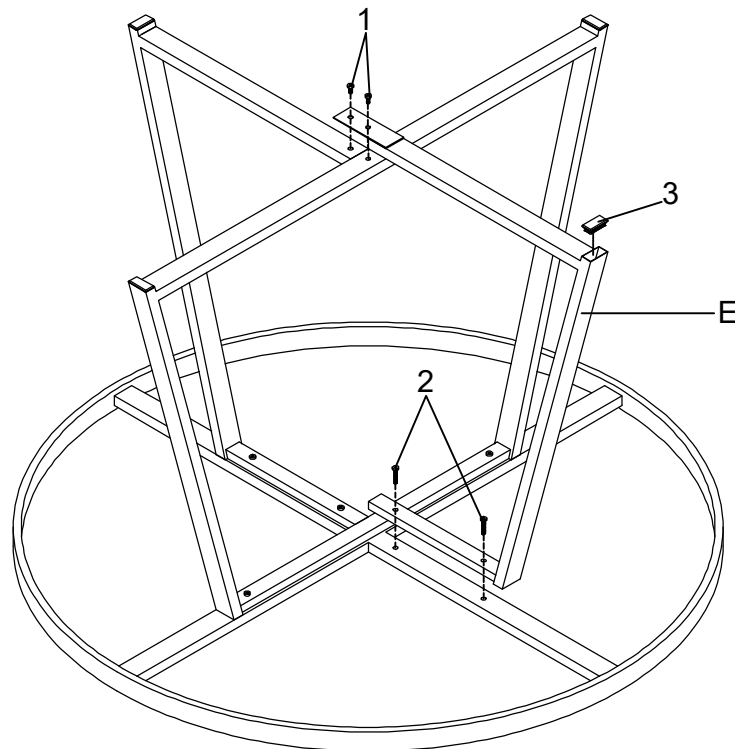
ASSEMBLY INSTRUCTIONS



STEP 1 Do not tighten until each step is completed or instructed.



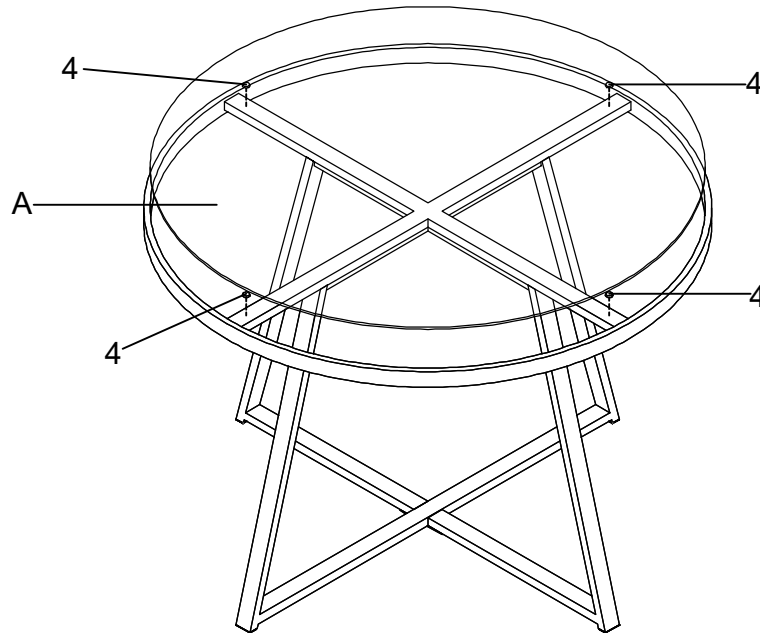
STEP 2



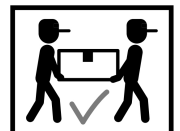
ITEM:120630

ASSEMBLY INSTRUCTIONS

STEP 3



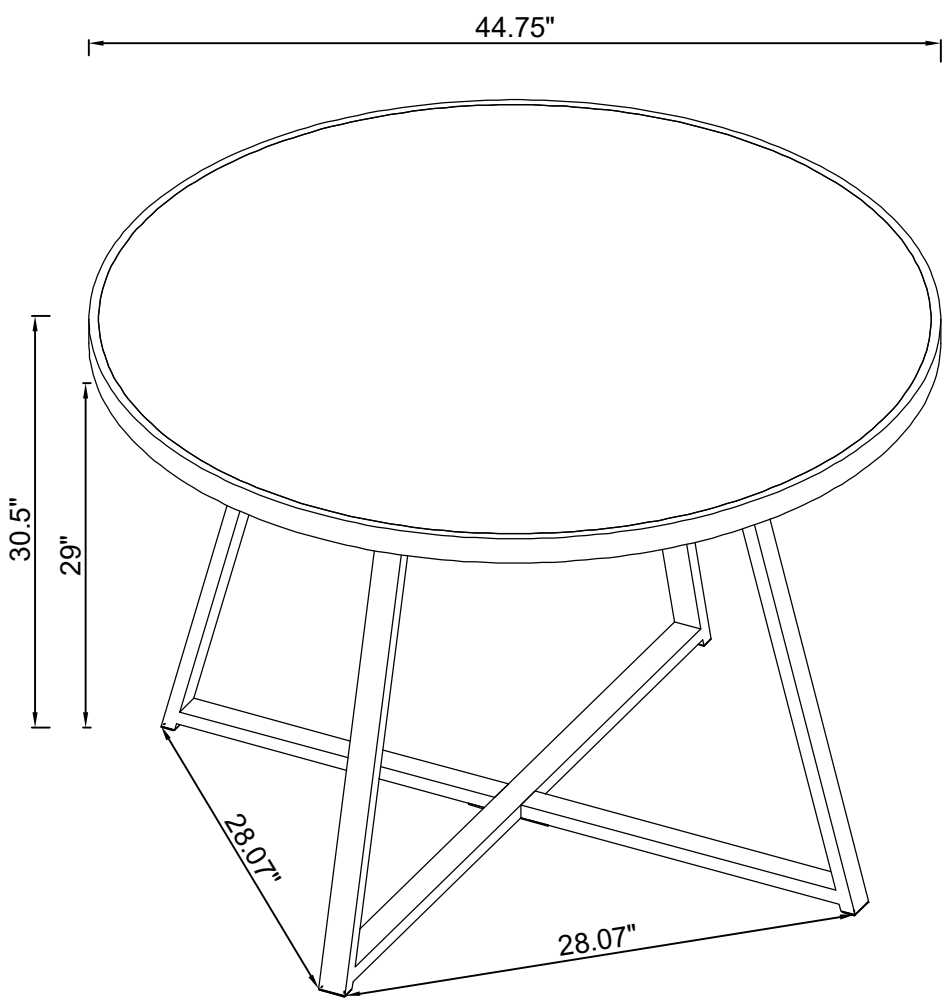
STEP 4 COMPLETE



ITEM:120630 ASSEMBLY INSTRUCTIONS



Product Size : 1137 DIA X 775 H (MM)
Product Size : 44.75" DIA X 30.5"



Note : Dimension tolerance $\pm 5\%$