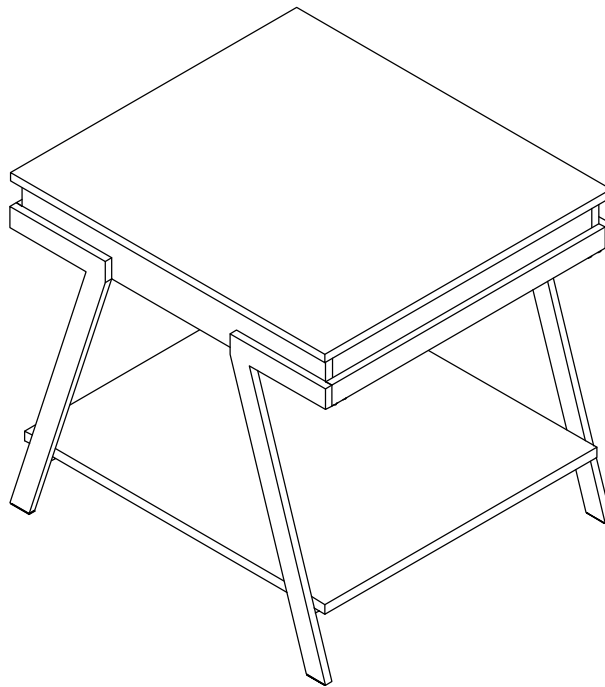


ASSEMBLY INSTRUCTIONS
COASTER FINE FURNITURE



Fine Furniture for every stage of life

708157
END TABLE

ITEM:708157



ASSEMBLY INSTRUCTIONS

ASSEMBLY TIPS:

1. Remove hardware from box and sort by size.
2. Please check to see that all hardware and parts are present prior to start of assembly.
3. Please follow attached instructions in the same sequence as numbered to assure fast & easy assembly.

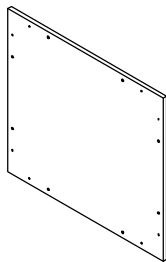
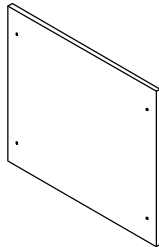
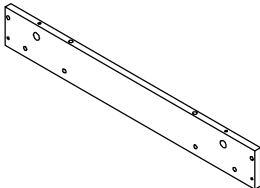
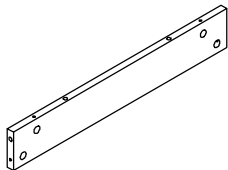
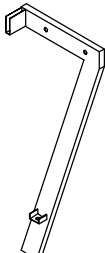


WARNING!

1. Don't attempt to repair or modify parts that are broken or defective. Please contact the store immediately.
2. This product is for home use only and not intended for commercial establishments.

ASSEMBLY TIME 35 MINUTES

PARTS IDENTIFICATION

A	TOP PANEL		1PC
B	BOTTOM PANEL		1PC
C	FRONT AND BACK PANEL		2PCS
D	LEFT AND RIGHT PANEL		2PCS
E	LEG 1		2PCS

ITEM:708157

ASSEMBLY INSTRUCTIONS

PARTS IDENTIFICATION



F

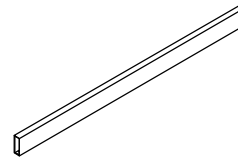
LEG 2



2PCS

G

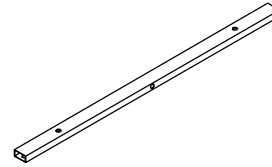
TOP CROSSBAR



2PCS

H

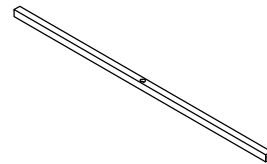
BOTTOM CROSSBAR



2PCS

I

SUPPORT CROSSBAR




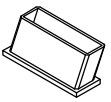

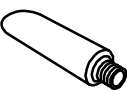



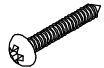

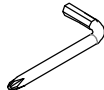
1PC

ITEM:708157

ASSEMBLY INSTRUCTIONS

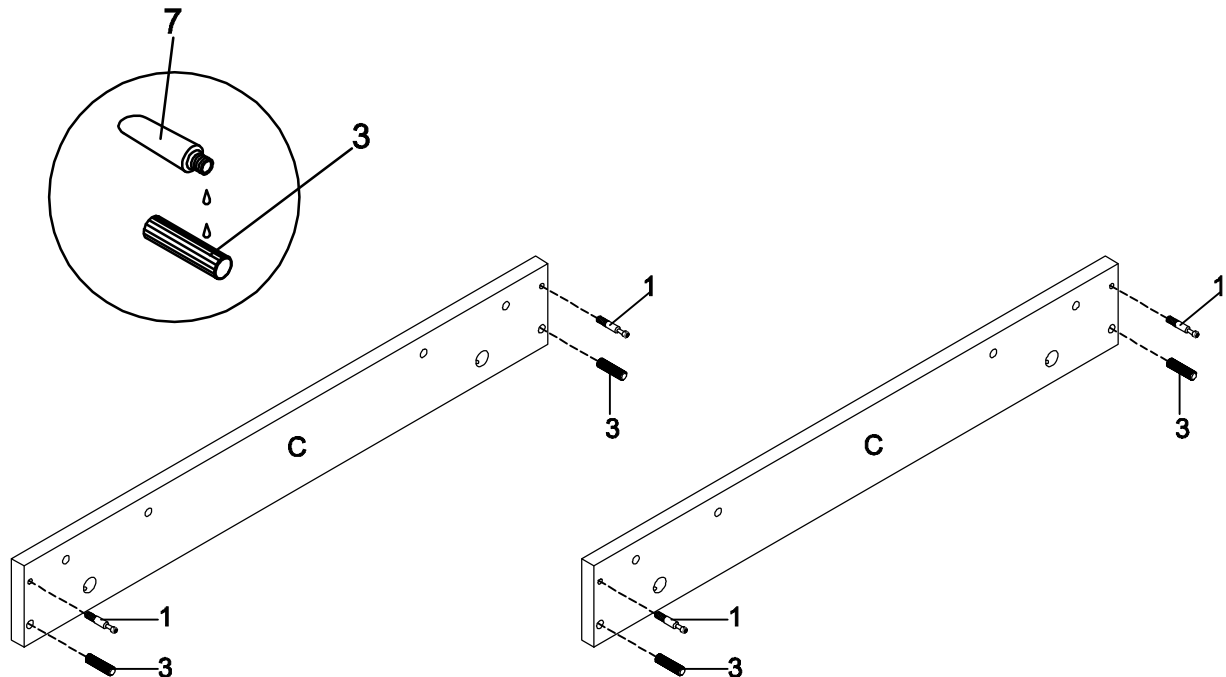
HARDWARE IDENTIFICATION



1	CAM BOLT (38mm)		12PCS	6	CAP		4PCS
2	CAM LOCK (ϕ 15mm)		12PCS	7	GLUE		1PC
3	WOOD DOWEL (8 x 30mm)		12PCS	8	LONG BOLT (1/4" x 47mm SR)		2PCS
4	SHORT BOLT (1/4" x 9mm SR)		12PCS	9	SCREW (4 x 25mm SR)		1PC
5	MEDIUM BOLT (1/4" x 22mm SR)		12PCS	10	ALLEN WRENCH (4mm)		1PC

STEP 1

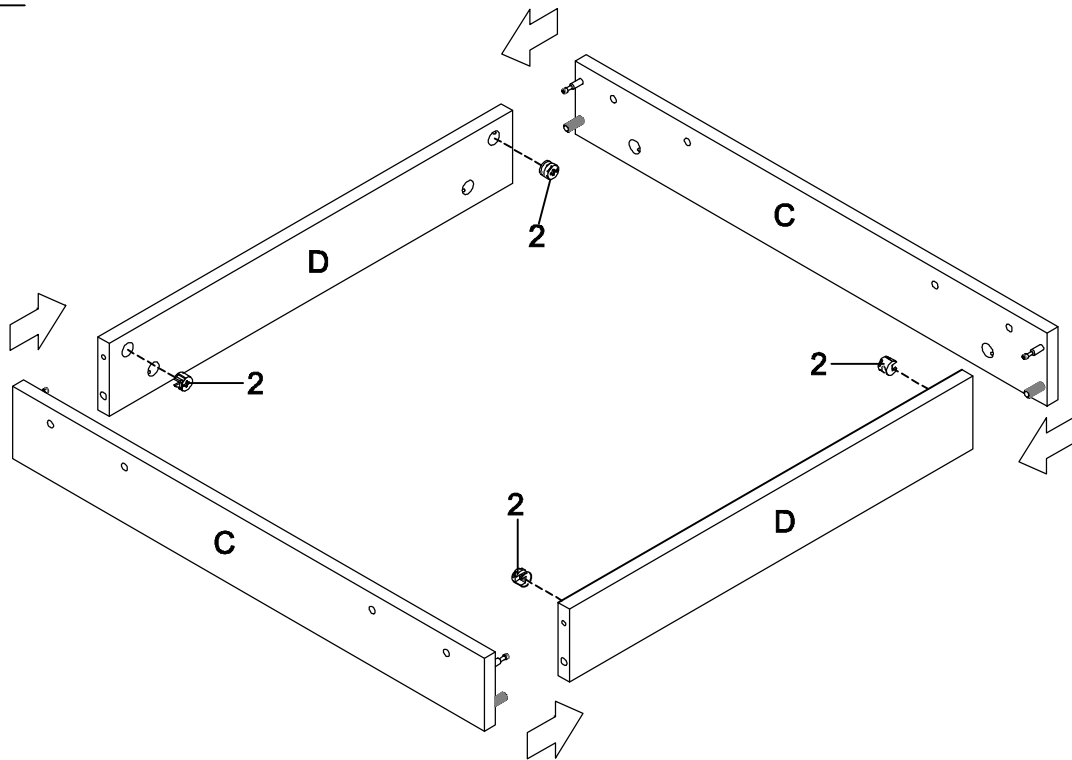
Do not tighten until each step is completed or instructed.



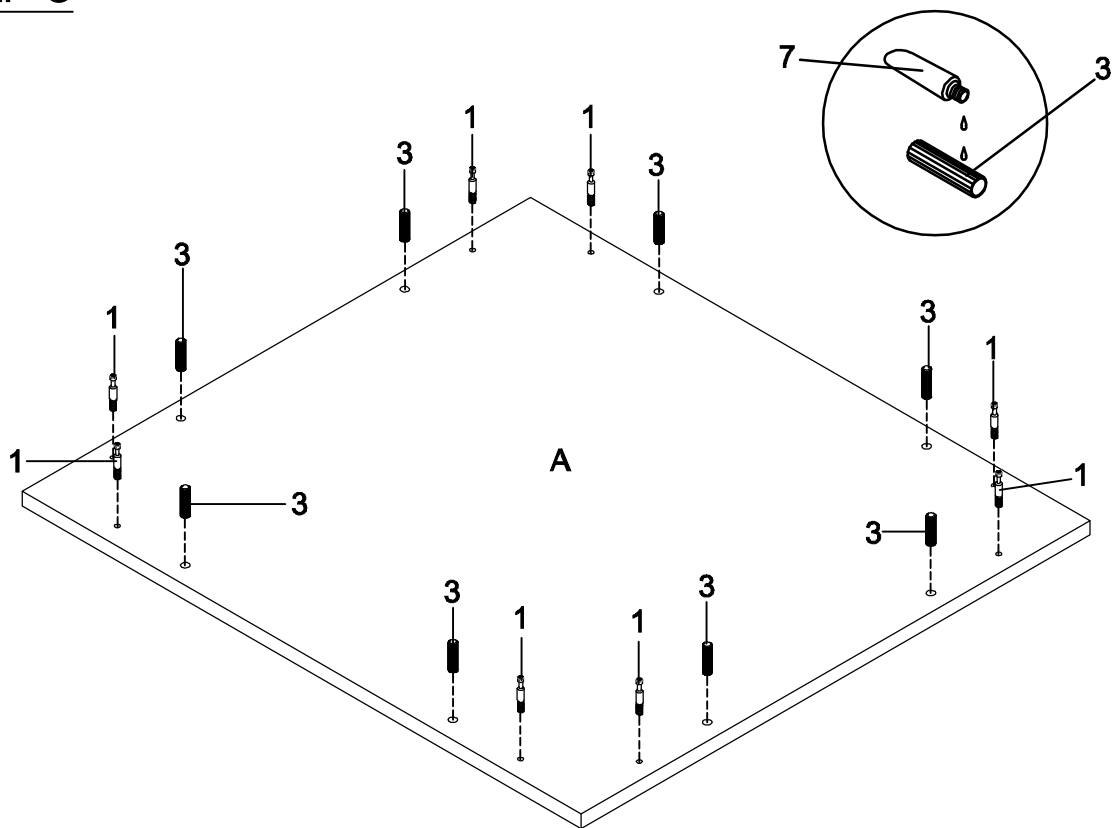
ITEM:708157

ASSEMBLY INSTRUCTIONS

STEP 2



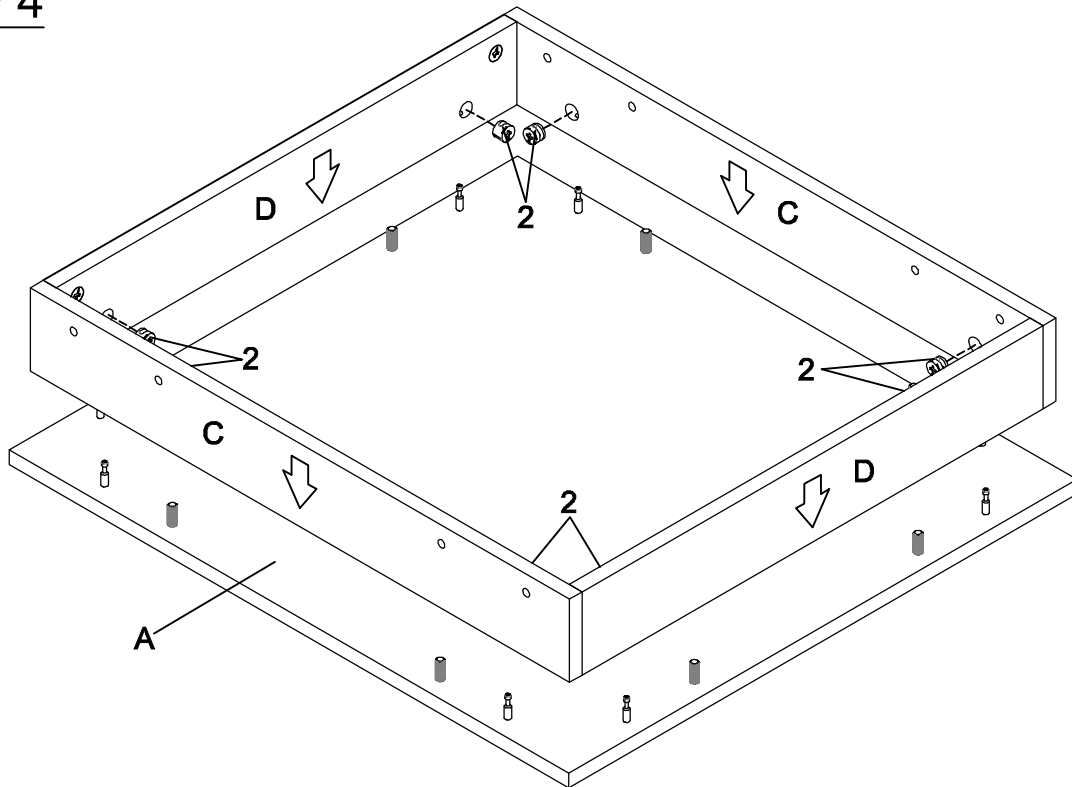
STEP 3



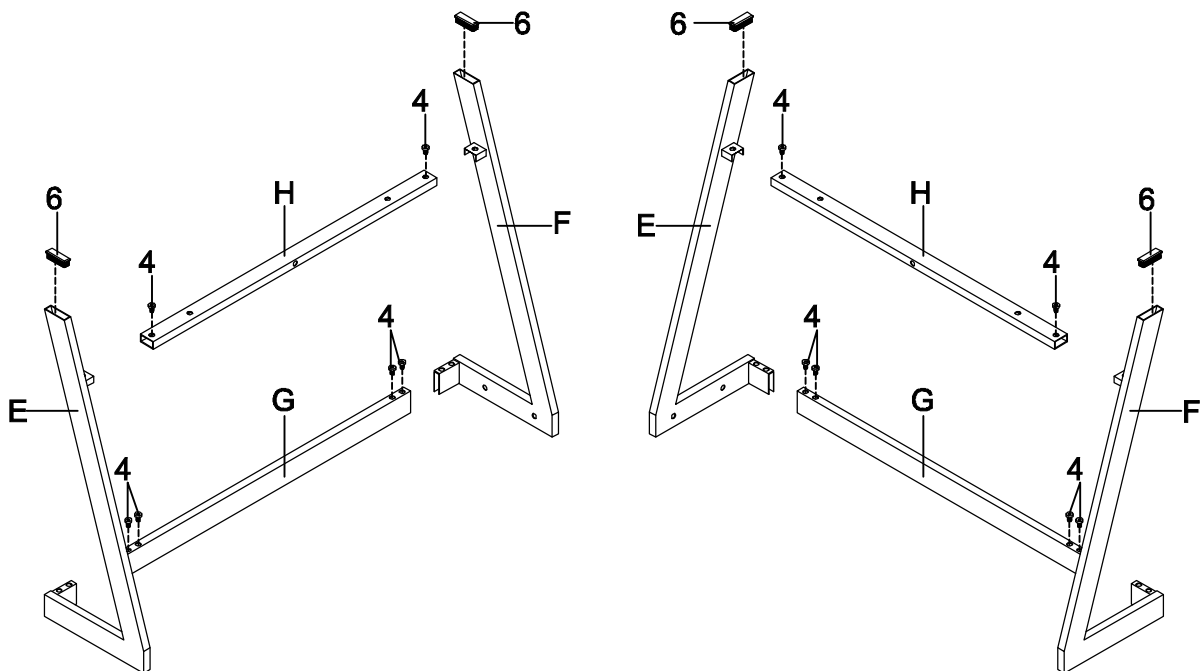
ITEM:708157

ASSEMBLY INSTRUCTIONS

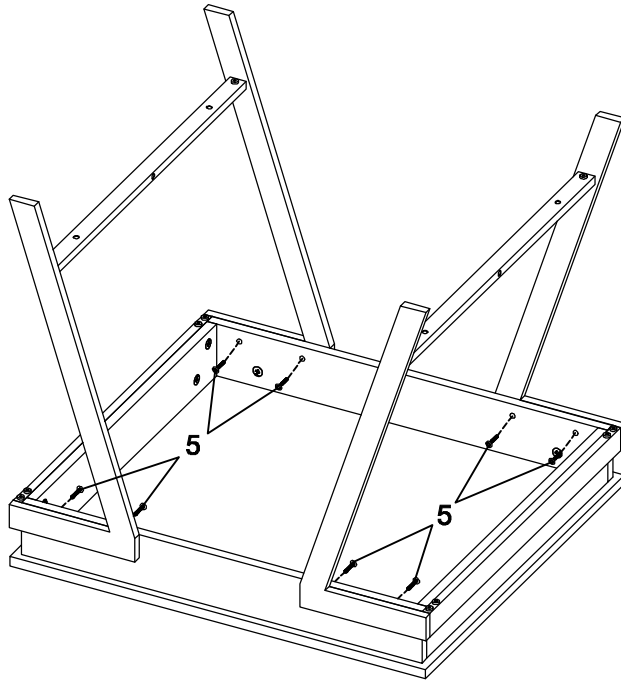
STEP 4



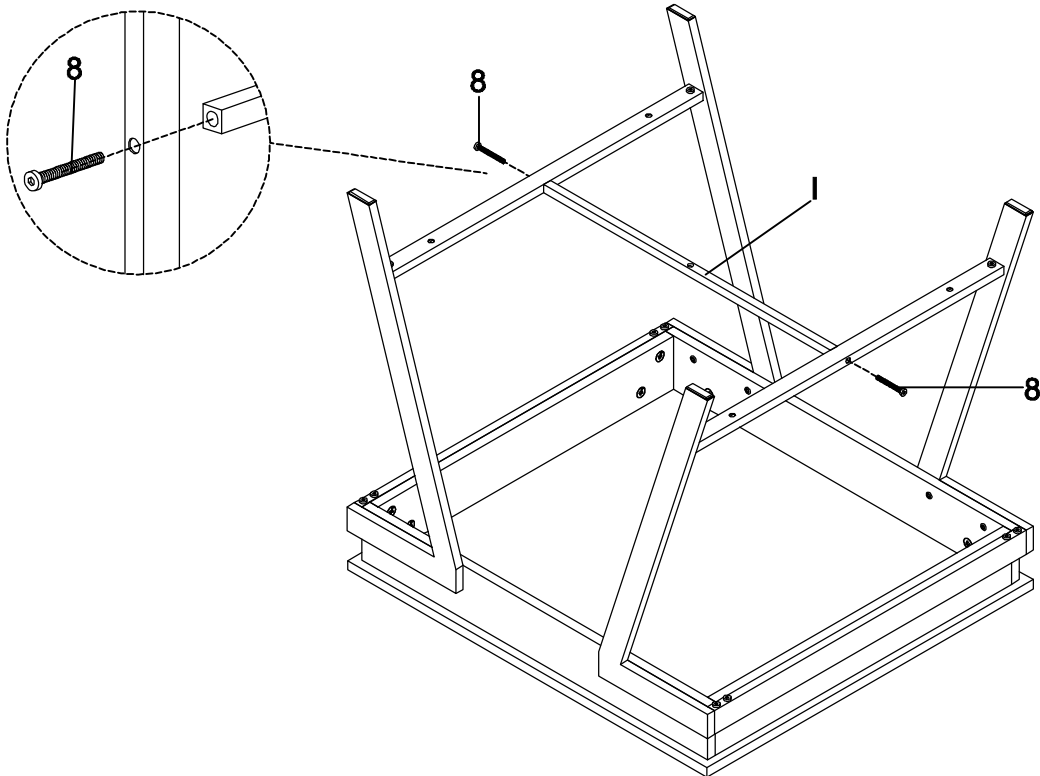
STEP 5



ITEM: 708157
ASSEMBLY INSTRUCTIONS
STEP 6



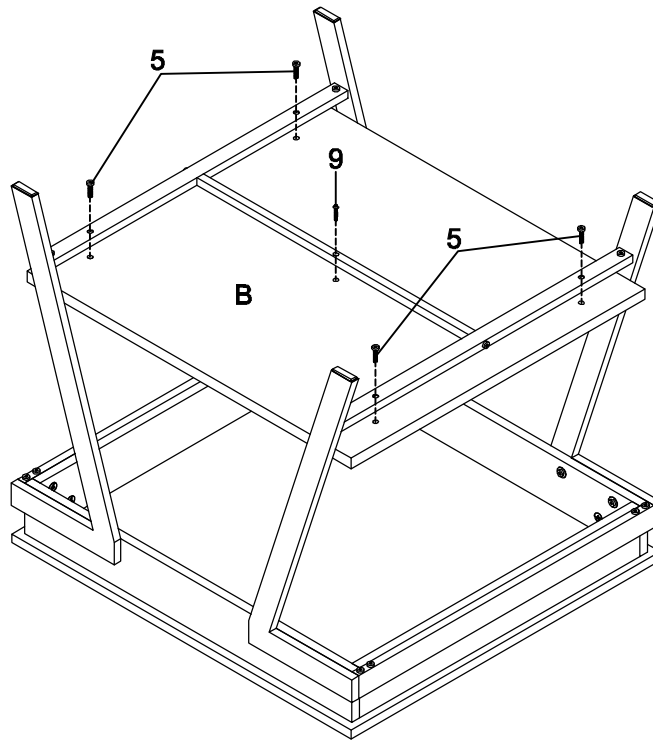
STEP 7



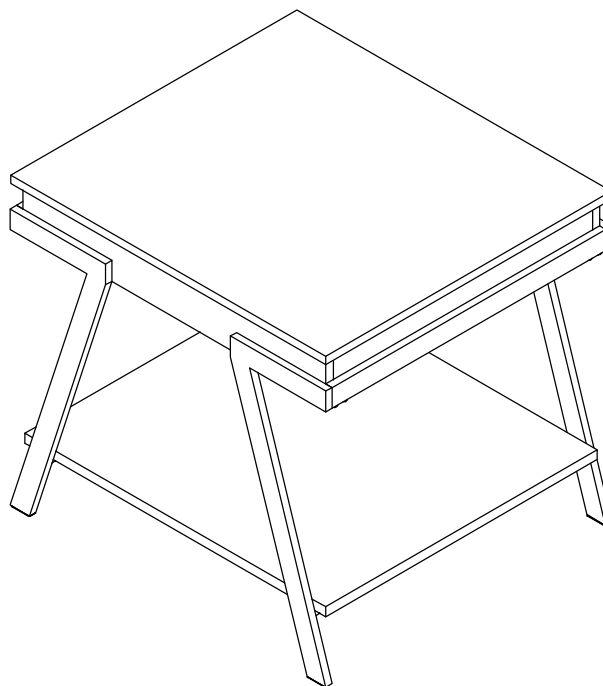
ITEM: 708157

ASSEMBLY INSTRUCTIONS

STEP 8



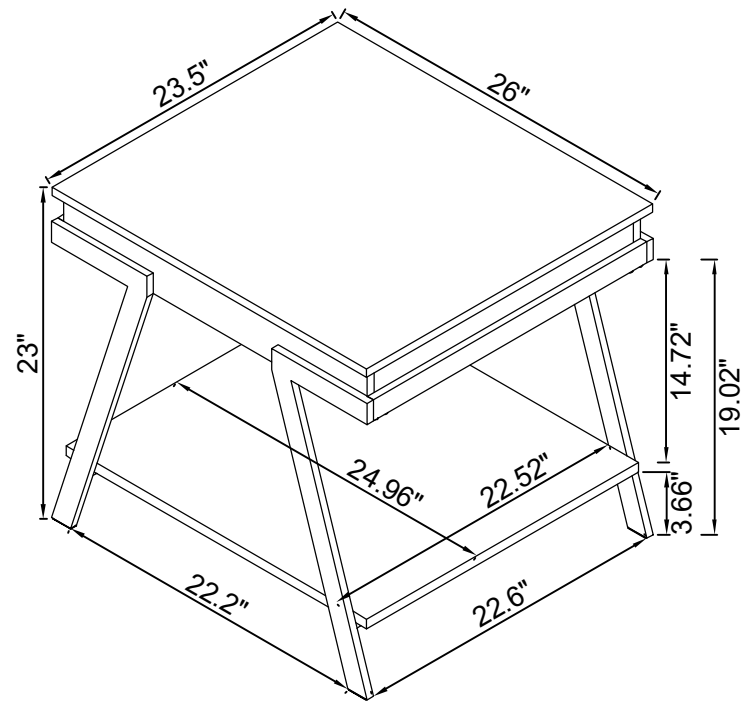
STEP 9



ITEM:708157 ASSEMBLY INSTRUCTIONS



Product Size : 660 X 597 X 584 H (MM)
Product Size : 26" X 23.5" X 23"



Note : Dimension tolerance $\pm 5\%$