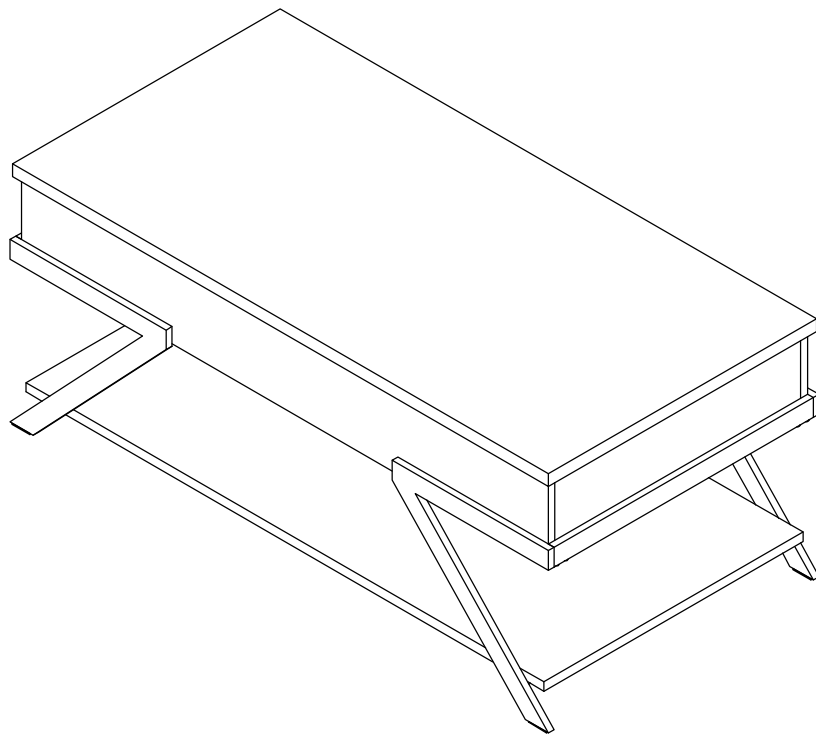


ASSEMBLY INSTRUCTIONS
COASTER FINE FURNITURE



Fine Furniture for every stage of life

708158
COFFEE TABLE

ITEM:708158



ASSEMBLY INSTRUCTIONS

ASSEMBLY TIPS:

1. Remove hardware from box and sort by size.
2. Please check to see that all hardware and parts are present prior to start of assembly.
3. Please follow attached instructions in the same sequence as numbered to assure fast & easy assembly.

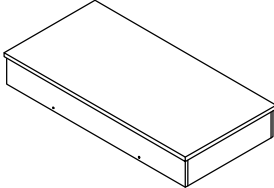
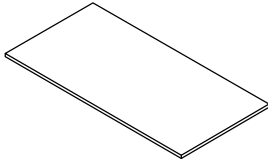
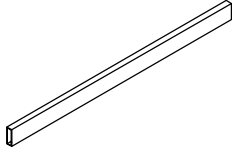
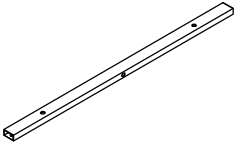
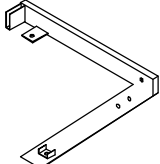


WARNING!

1. Don't attempt to repair or modify parts that are broken or defective. Please contact the store immediately.
2. This product is for home use only and not intended for commercial establishments.

ASSEMBLY TIME 35 MINUTES

PARTS IDENTIFICATION

A	TOP		1PC
B	SHELF		1PC
C	TOP CROSSBAR		2PCS
D	BOTTOM CROSSBAR		2PCS
E	LEG 1		2PCS

ITEM:708158

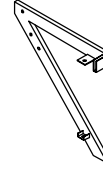
ASSEMBLY INSTRUCTIONS

PARTS IDENTIFICATION



F

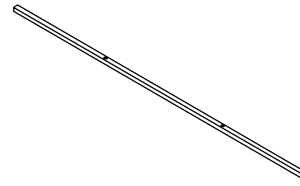
LEG 2



2PCS

G

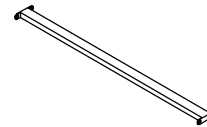
BOTTOM SUPPORT CROSSBAR



1PC

H

TOP SUPPORT CROSSBAR





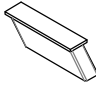
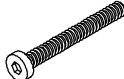
2PCS

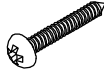

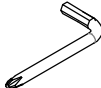
ITEM:708158



ASSEMBLY INSTRUCTIONS

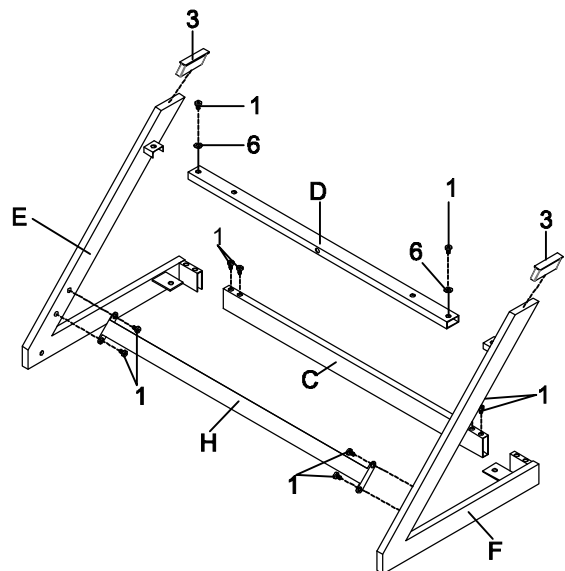
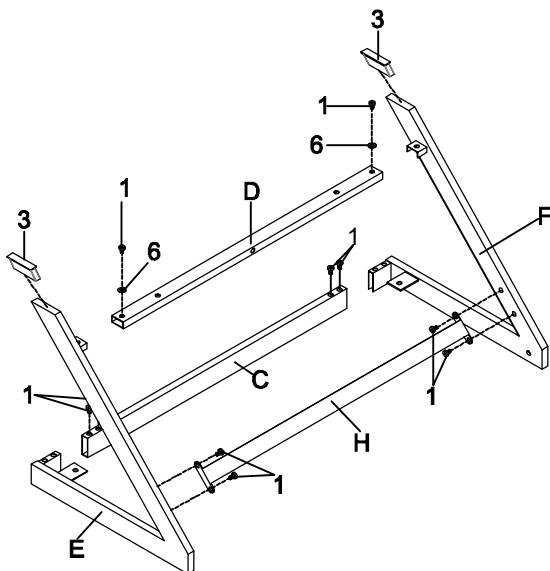
HARDWARE IDENTIFICATION

- | | | | |
|---|---------------------------------|---|-------|
| 1 | SHORT BOLT
(1/4" x 12mm SR) |  | 24PCS |
| 2 | MEDIUM BOLT
(1/4" x 22mm SR) |  | 8PCS |
| 3 | CAP |  | 4PCS |
| 4 | LONG BOLT
(1/4" x 47mm SR) |  | 2PCS |

- | | | | |
|---|------------------------|---|------|
| 5 | SCREW
(4 x 25mm SR) |  | 2PCS |
| 6 | WASHER |  | 4PCS |
| 7 | ALLEN WRENCH
(4mm) |  | 1PC |

STEP 1

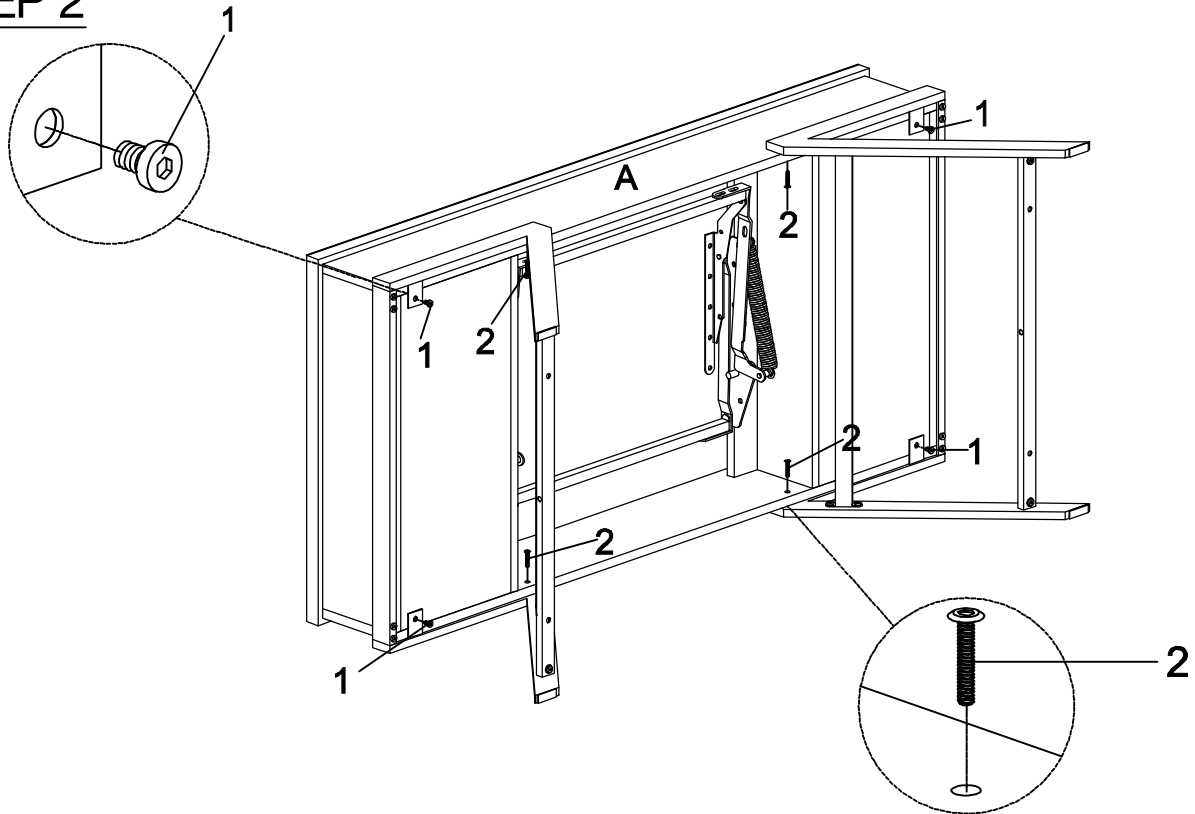
Do not tighten until each step is completed or instructed.



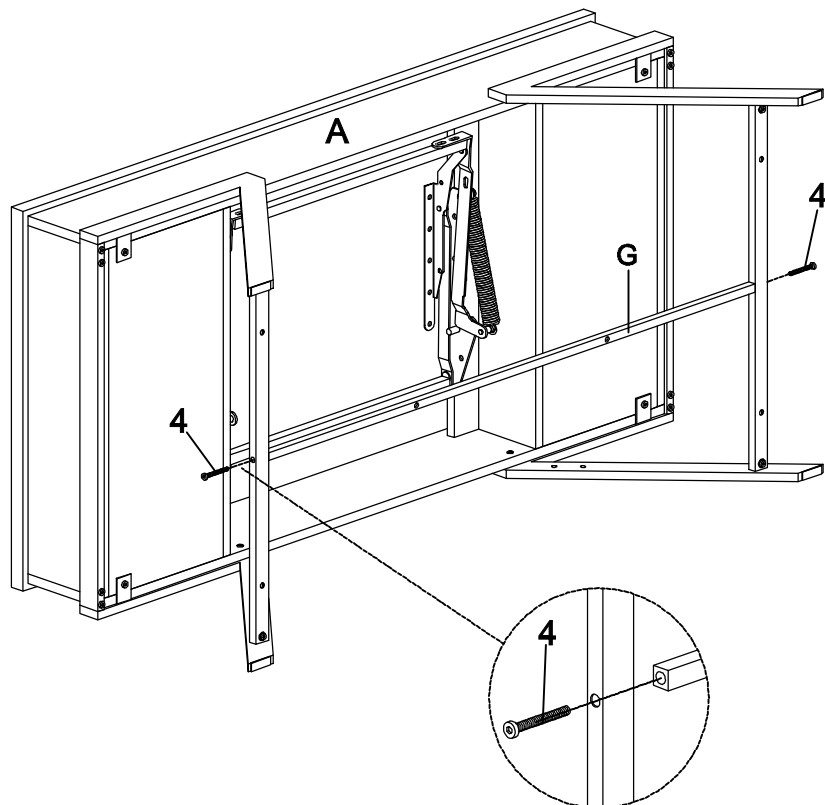
ITEM: 708158

ASSEMBLY INSTRUCTIONS

STEP 2



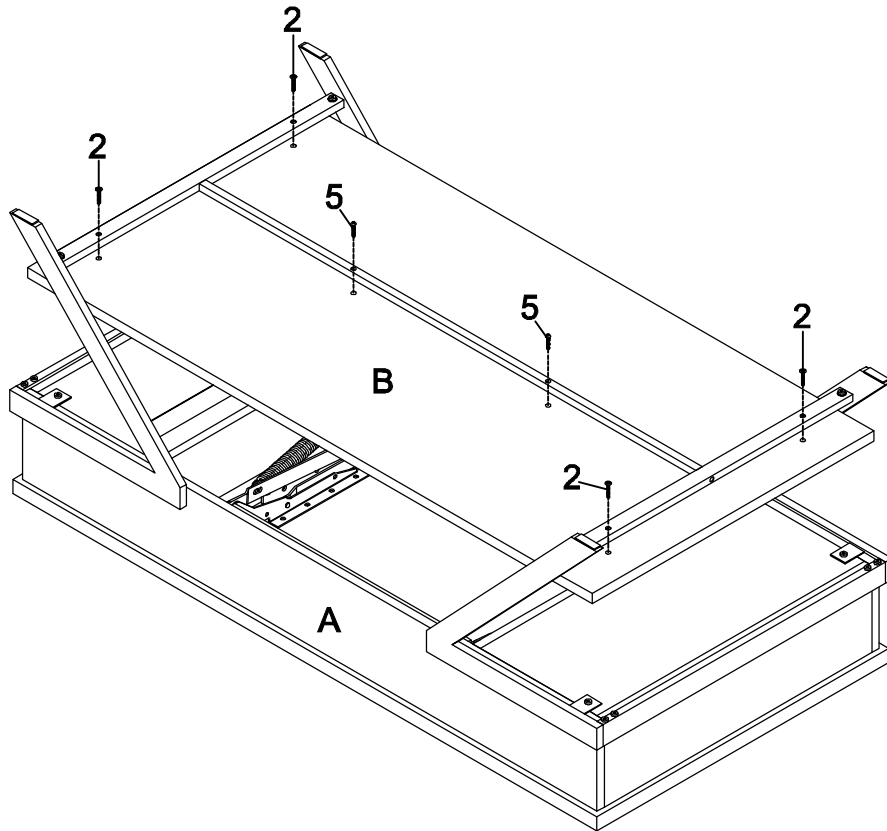
STEP 3



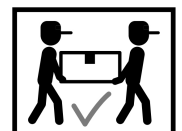
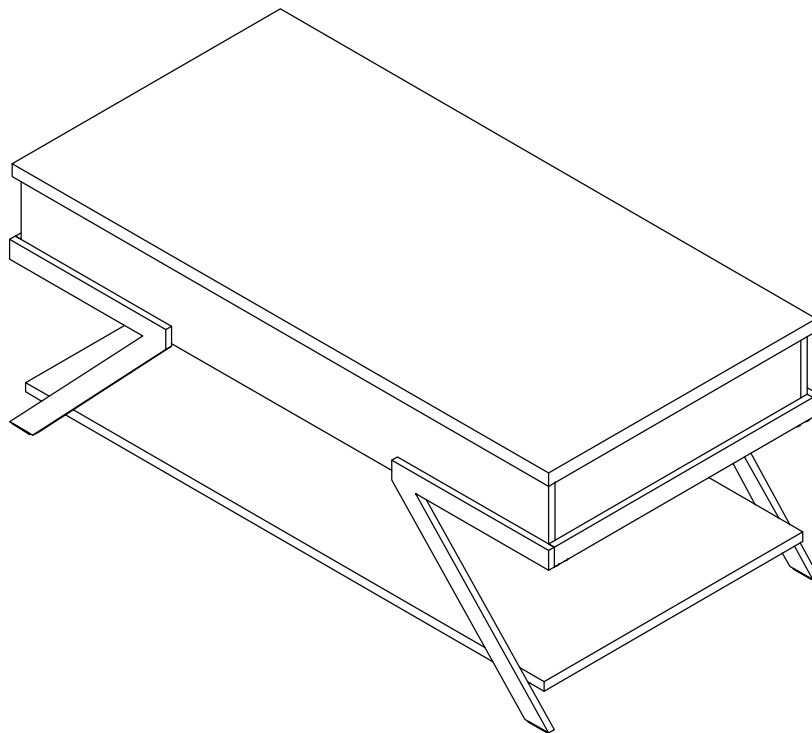
ITEM: 708158

ASSEMBLY INSTRUCTIONS

STEP 4



STEP 5

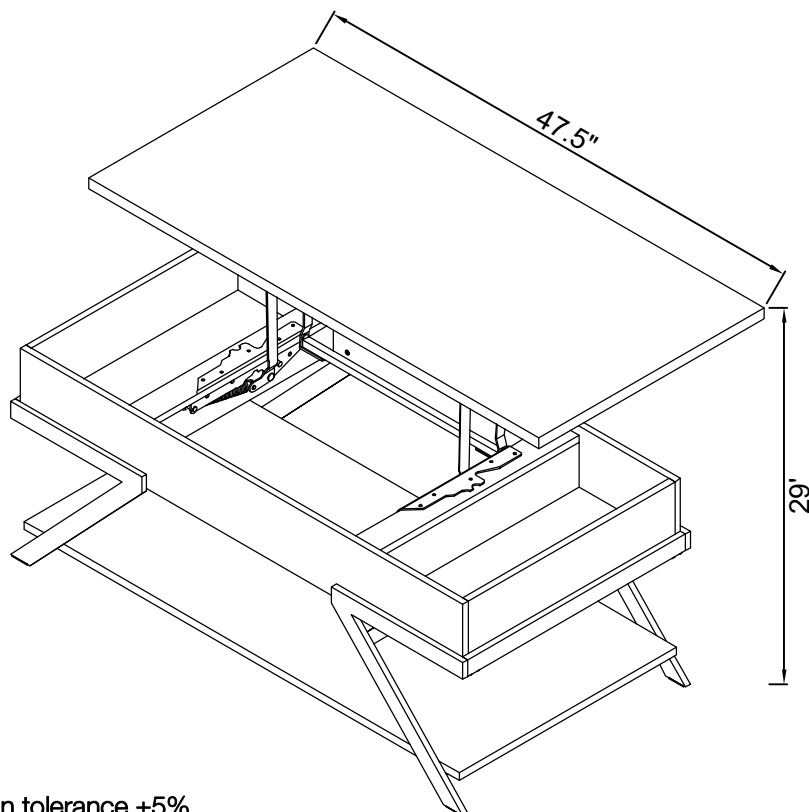
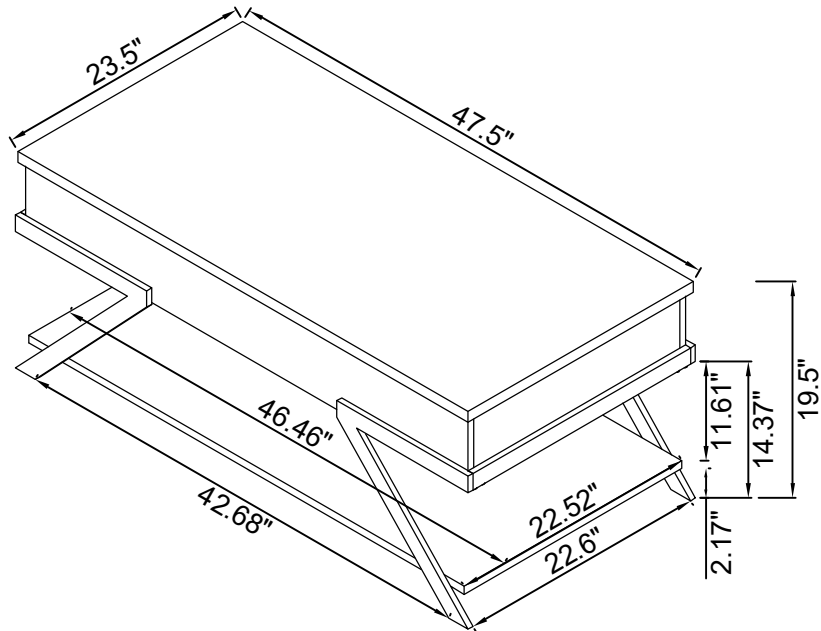


ITEM: 708158 ASSEMBLY INSTRUCTIONS



Product Size : 1207 X 597 X 495~737 H (MM)

Product Size : 47.5" X 23.5" X 19.5"~29"



Note : Dimension tolerance $\pm 5\%$