



ASSEMBLY INSTRUCTIONS COASTER FINE FURNITURE



Fine Furniture for every stage of life

721037
End Table

REVISION 0 : 05/08/2017
REVISION 1 : 06/17/2019
REVISION 2 : 10/18/2019
REVISION 3 : 09/05/2023

PAGE 1 OF 4

COASTERFURNITURE.COM

ITEM:721037



ASSEMBLY INSTRUCTIONS

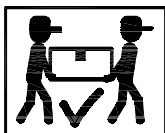
ASSEMBLY TIPS:

1. Remove hardware from box and sort by size.
2. Please check to see that all hardware and parts are present prior to start of assembly.
3. Please follow attached instructions in the same sequence as numbered to assure fast & easy assembly.



WARNING!

1. Don't attempt to repair or modify parts that are broken or defective. Please contact the store immediately.
2. This product is for home use only and not intended for commercial establishments.



ASSEMBLY TIME

30 MINUTES

PARTS IDENTIFICATION

A	TOP		1PC	C	LEG		4PCS
B	BOTTOM SHELF		1PC				

HARDWARE IDENTIFICATION

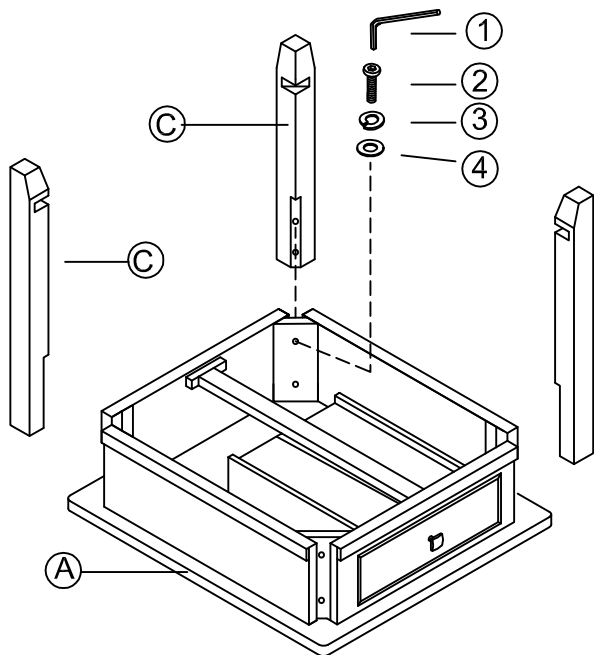
1	ALLEN WRENCH (4MM - BLK)		1PC	4	FLAT WASHER (Ø1/4" x 19MM - BLK)		8PCS
2	ALLEN BOLT (Ø1/4" x 2" - BLK)		8PCS	5	WOOD DOWEL (Ø8 x 40MM)		4PCS
3	LOCK WASHER (Ø1/4" - BLK)		8PCS				

ITEM: 721037

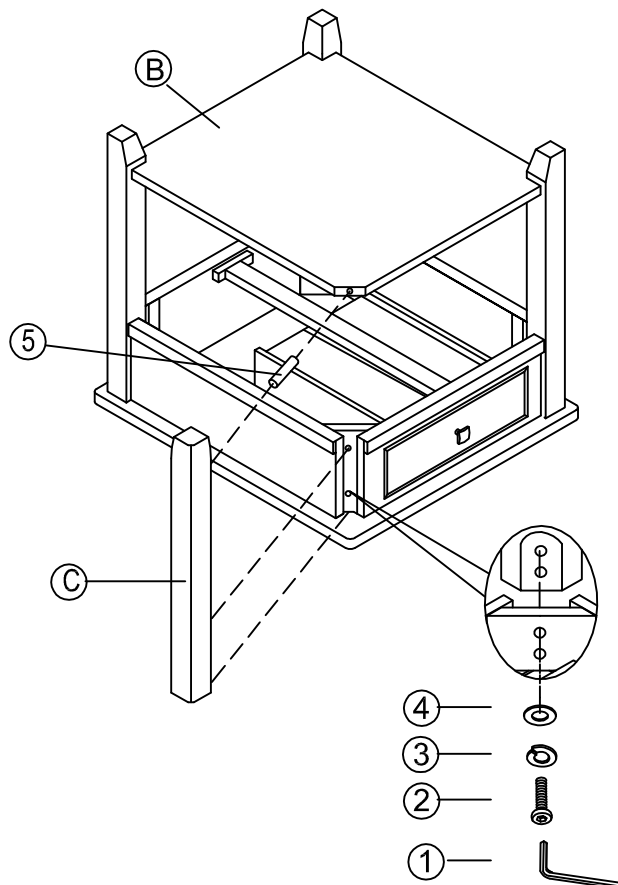


ASSEMBLY INSTRUCTIONS

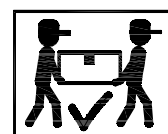
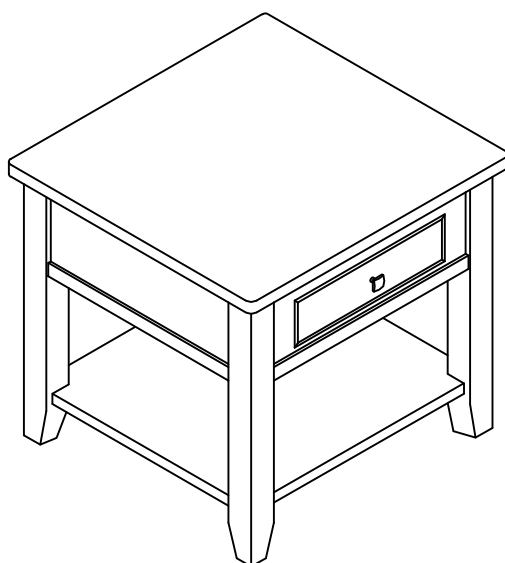
STEP 1



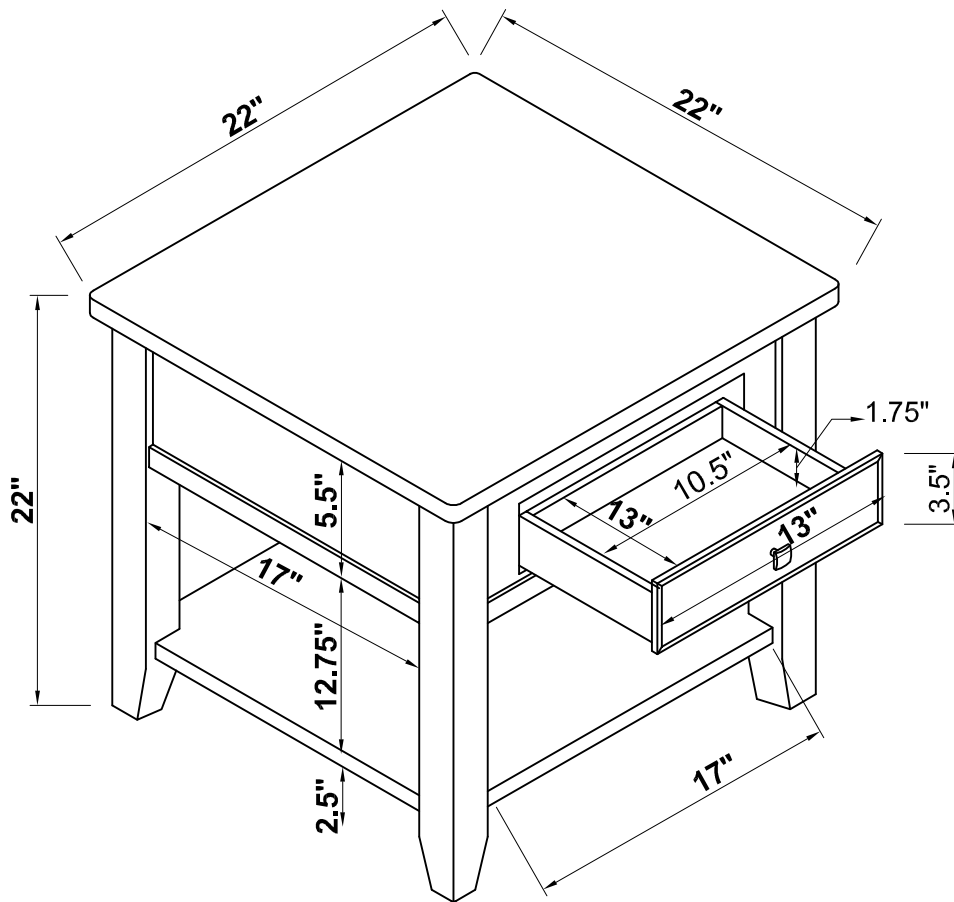
STEP 2



STEP 3
COMPLETE



ITEM: 721037



Note : Dimension tolerance $\pm 5\%$