



## ASSEMBLY INSTRUCTIONS COASTER FINE FURNITURE



*Fine Furniture for every stage of life*

**721038**  
**Coffee Table**

REVISION 0 : 05/08/2017  
REVISION 1 : 06/17/2019  
REVISION 2 : 10/18/2019  
REVISION 3 : 09/05/2023

**PAGE 1 OF 4**

COASTERFURNITURE.COM

# ITEM:721038



## ASSEMBLY INSTRUCTIONS

### ASSEMBLY TIPS:

1. Remove hardware from box and sort by size.
2. Please check to see that all hardware and parts are present prior to start of assembly.
3. Please follow attached instructions in the same sequence as numbered to assure fast & easy assembly.



### WARNING!

1. Don't attempt to repair or modify parts that are broken or defective. Please contact the store immediately.
2. This product is for home use only and not intended for commercial establishments.



ASSEMBLY TIME

30 MINUTES

## PARTS IDENTIFICATION

A	TOP		1PC	C	LEG		4PCS
B	BOTTOM SHELF		1PC				

## HARDWARE IDENTIFICATION

1	ALLEN WRENCH ( 4MM - BLK )		1PC	5	CASTER WITH LOCK ( Ø 40MM - BLK )		2PCS
2	ALLEN BOLT ( Ø1/4 x 2" - BLK )		8PCS	6	CASTER ( Ø 40MM-BLK )		2PCS
3	LOCK WASHER (Ø1/4" -BLK)		8PCS	7	WRENCH (14MM -BLK)		1PC
4	FLAT WASHER (Ø1/4" x 19MM- BLK)		8PCS	8	WOOD DOWEL (Ø8 x 40MM )		4PCS

### NOTE:

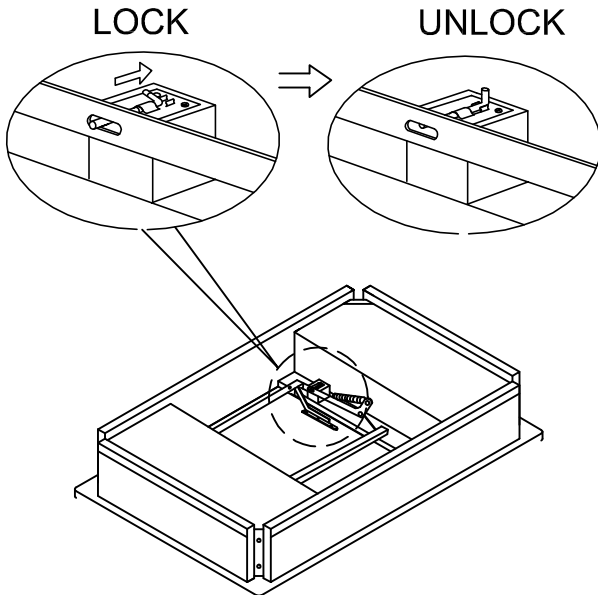
Phillips head screw driver is required in the assembly process; however, manufacturer does not provide this item.

ITEM: 721038

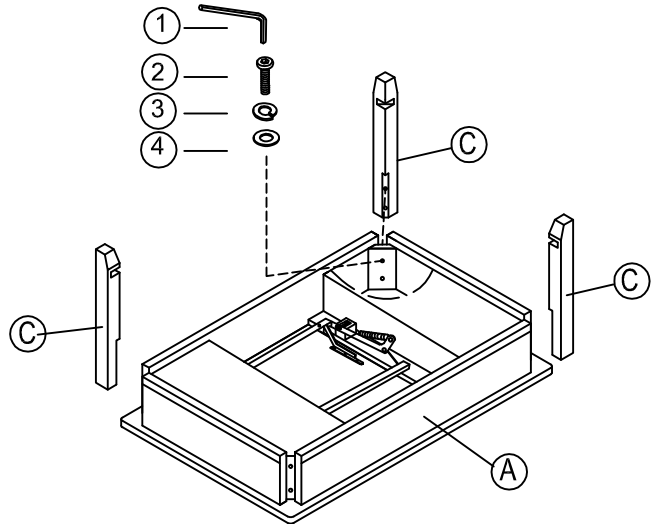


ASSEMBLY INSTRUCTIONS

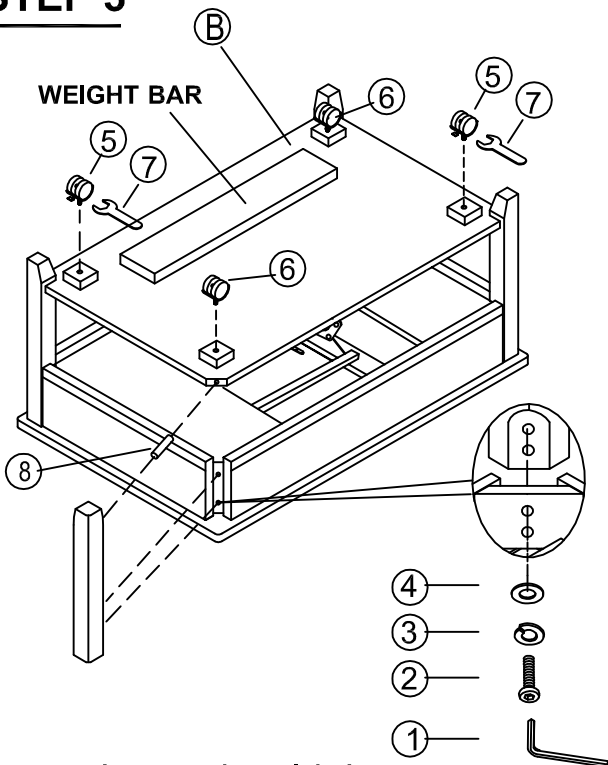
**STEP 1**



**STEP 2**

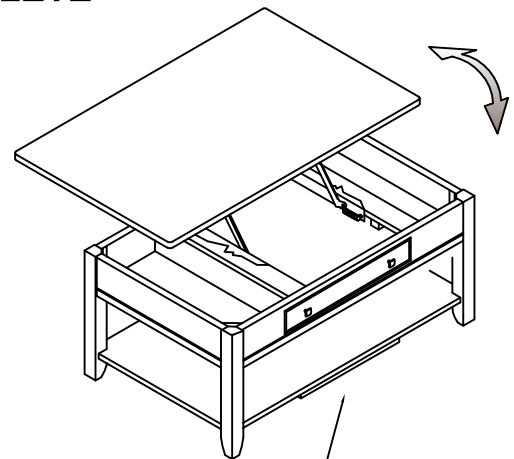


**STEP 3**

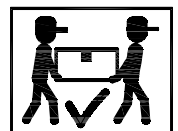


please makes sure the weight bar is located at the opposite of lift top direction. Do not assembled into wrong direction.

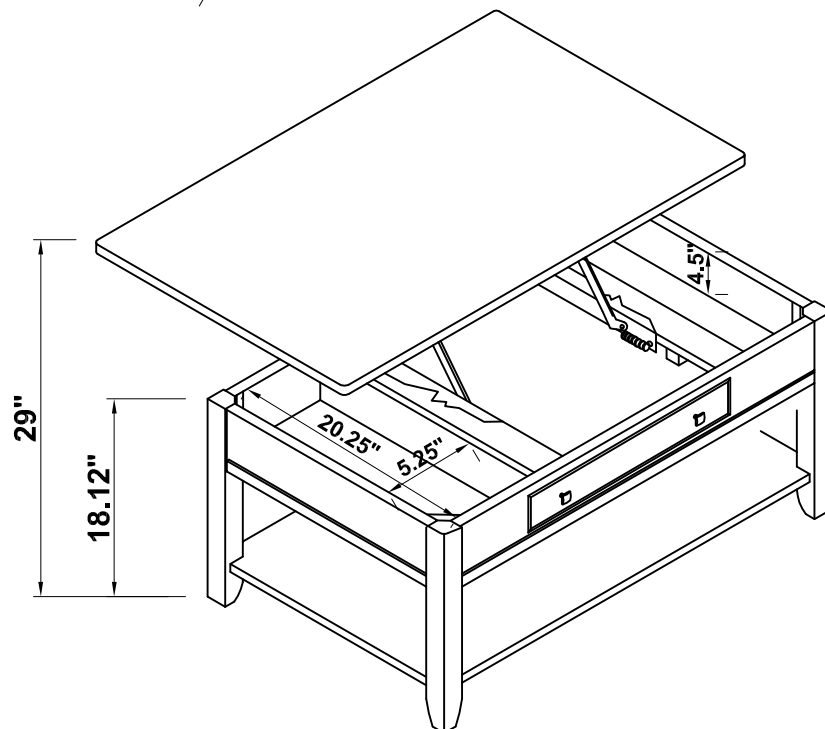
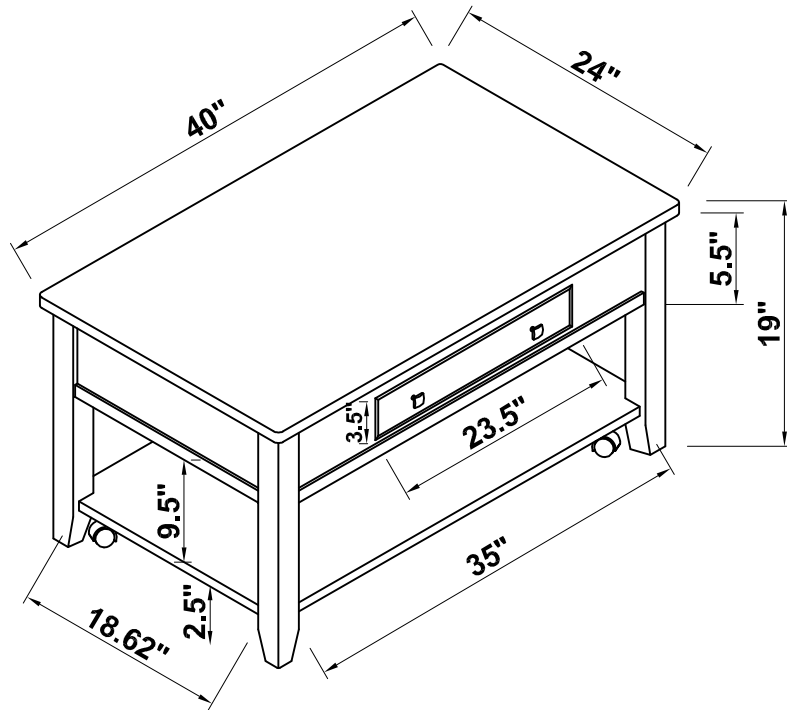
**STEP 4 COMPLETE**



please makes sure the weight bar is located at the opposite of lift top direction. Do not assembled into wrong direction.



ITEM: 721038



Note : Dimension tolerance  $\pm 5\%$